

Wall Mounted RF AC RGB Controller

70010072



Important: Read All Instructions Prior to Installation

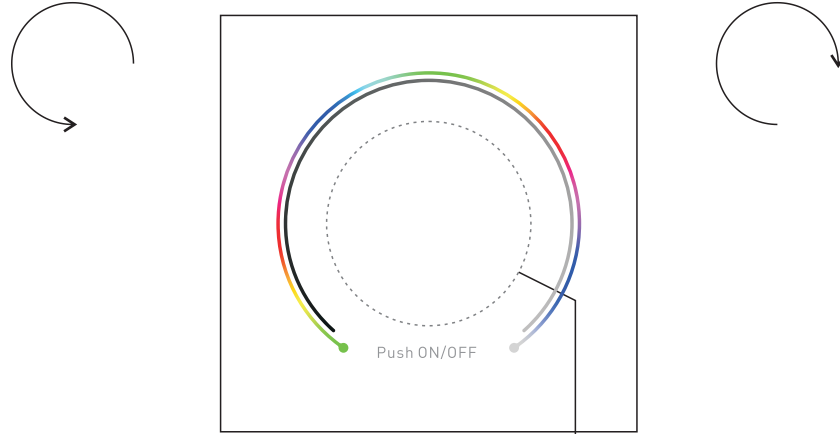
Function introduction

Rotate the knob counterclockwise:

1. Decrease light intensity from 100% to 1% (brightness mode).
2. Change RGB color (RGB color mode)

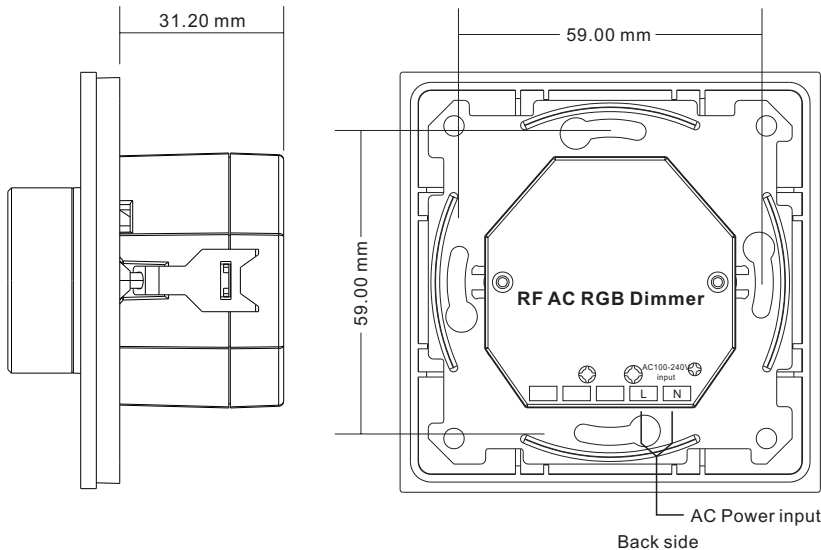
Rotate the knob clockwise:

1. Increase light intensity from 1% to 100% (brightness mode).
2. Change RGB color (RGB color mode)



Click the knob to switch ON/OFF. Press and hold down to adjust brightness to 100%. Double click the knob to switch between RGB color mode and brightness mode.

Front side



Back side

Product Data

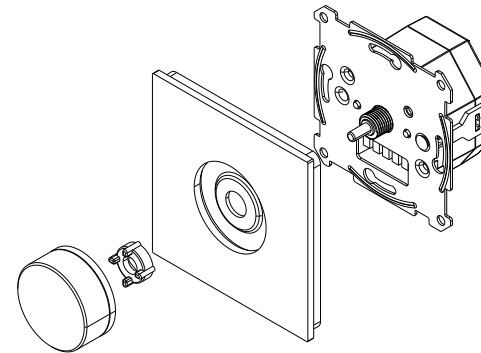
Designation	RF AC RGB Controller
Power connection	L, N AC mains
Operating voaltage	100-240V AC
Input current	15mA max.
Output	RF signal
Perm. Cable cross-section	1...4 mm ²
Ambient temperature	0...+50 °C
Type of protection	IP 20
Protection class	II
Dimensions	80x80x53mm

- Rotation sensitive
- Compatible with all universal series RF receivers
- Radio frequency: 869.5/434MHz
- Control RGB color
- Control 1 zone of RF receiver
- Safe and reliable full isolation design

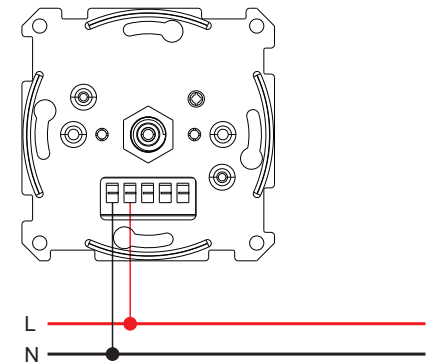
Safety & Warnings

- DO NOT install with power applied to device.
- DO NOT expose the device to moisture.

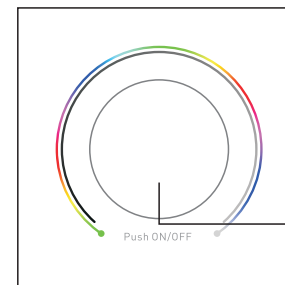
Installation



Wiring diagram



Pair with RF receiver



Step 1: Do wiring the remote & RF receiver according to wiring diagram (please refer to the instruction of RF receiver that you would like to pair with).

Step 2: Click the "Learning Key" button on RF receiver or re-power on the receiver three times continuously to set it into pairing status

Step 3: Rotate or click the knob, LED lights connected with the RF receiver flicker once means the receiver is paired with the remote successfully.

Note: one receiver can be paired with max 8 remote controls.

