

The power behind your lights



Model: JLV-12150K      Size: 160\*98\*38mm  
 JLV-24150K



**Brief Information**

**Powermax™**  
 Technology Inside

**150W**

**Power Supply (C.V.)**

Model JLV-12150K / JLV-24150K

Input 190~250V AC

Output 12VDC 12.5A 150W / 24VDC 6.25A 150W

**Product Features**

- Compact size, easy for installation
- High transfer efficiency
- Endurable & stable quality
- 100% full loading, 100% burn-in tested
- Overload/short circuit protection

**MAIN ELECTRICAL DATA**

**AC Input**

Input Voltage	190~250V
Input Frequency	50/60Hz
Efficiency (Typ.)	82%
Input Current	230V: 1.6A max.
Inrush Current	40A
Leakage Current	5mA/120VAC

**DC Output**

Output Voltage	12V	24V
Rated Current	12.5A	6.25A
Rated Power	150W	150W
Ripple & Noise (Max.)	<500mVp-p	<500mVp-p
Setup, Rise Time	1500ms/120VAC	1500ms/120VAC
Line Regulation	1%	1%
Load Regulation	1%	1%

**Service Environment**

Working Temp.	-30°C~60°C
Working Humidity	20~95%RH
Storage Temp.	-40°C~80°C
Storage Humidity	10~95%RH

**Packaging Information**

Product Dimension	160*98*38mm
Products Net Weight	500G
PCS/Carton(QTY)	40 PCS
Master Carton Size	47*34.5*23.5cm
G. Weight/ Carton	19KG

**Protection**

Overload	Yes, Cut-off mode Output shuts down if over-loaded
Short Circuit	Yes, hiccup mode, recovers automatically after fault condition is removed

**Safety**

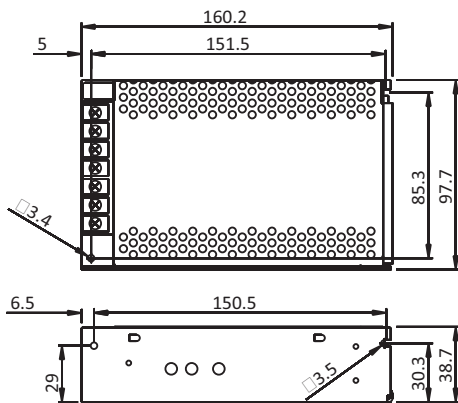
Safety Standard	EN 61347-2-13
Withstand Voltage	I/P-O/P: 3KVAC I/P-GND: 1.5KVAC O/P-GND: 0.5KVAC
Isolation Resistance	I/P-O/P: >100M Ohms / 500VDC /25°C / 70%RH

**Installation Tips:**

- Please identify the power supply's input and output before installation.
- Ensure correct output + & - wire connection.  
Power on after wire connection is done.
- To avoid voltage drop and loading capacity wasting on the output extension wire, please install the power supply to the loading as near as possible, if must use long extension wires, thicker wires and less loading wattage is required.
- The power supply to be installed at good ventilation and cooling environment.

The power behind your lights

## Physical Drawing



Unit: mm

### Brief Information

Powermax™  
Technology Inside

# 150W

### Power Supply (C.V.)

Model JLV-12150K / JLV-24150K

Input 190~250V AC

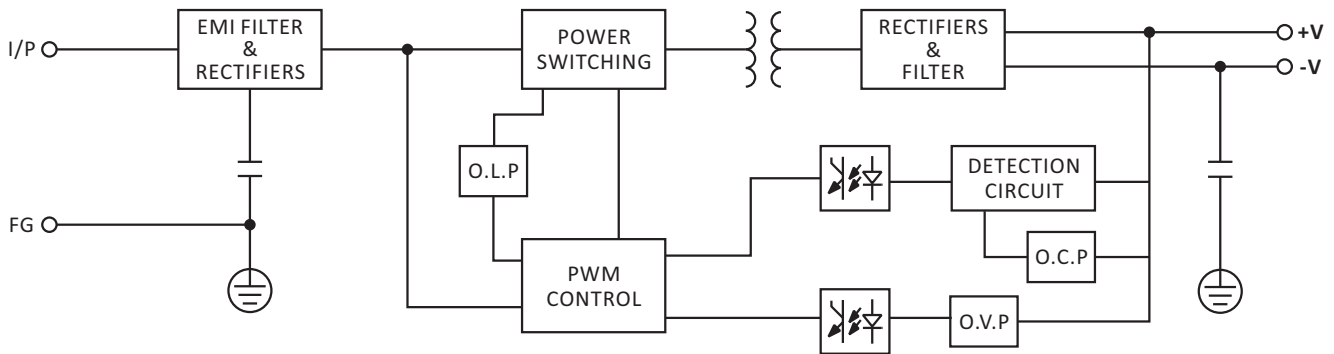
Output 12VDC 12.5A 150W / 24VDC 6.25A 150W

Input & Output:

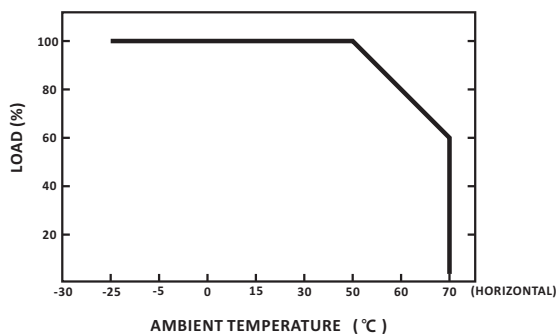
9500-7P Screw Terminals With Cover  
inflamming retarding

Housing: Aluminium

## Block Diagram



## Derating Curve



## Static Characteristics

