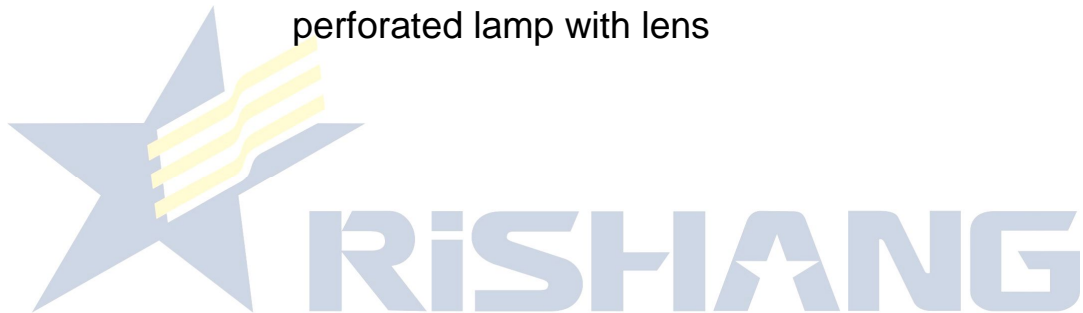


Specification

Model : M833TB

Description : 3pcs 2835SMD LEDs, 12VDC, 1W, constant current, LED
perforated lamp with lens



Prepared by : _____

Checked by : _____

Standard Dept : _____

Approved by : _____

Issued Status: Draft

Published

Specification

Product Name: LED perforated lamp

Model: M833TB



Applications

Suitable for building illumination, signature characters.

Suitable range: No limit for building illumination; ≤40m height for signature characters.

Features

1. High luminous efficacy with 2835 SMD LED mounted;
2. Maximum cascade quantity up to 50 pcs;
3. Viewing angle: 170°
4. CQC、CE、UL94V-0、RoHS approved.

Installation

1. signature characters: use buckle position fixing the perforated lamp;
2. building illumination: ① use buckle position fixing; ② use steel crane fixing; ③ use steel crane series fixing.

Warranty

5 years or 22,000 hours, whichever comes first.

Optical and Electrical Parameters:

| P/N | LED Color | Color Temperature (K) Wavelength (nm) | Beam Angle (°) | Luminous Flux (lm/piece) | CRI Ra | Luminous Efficiency (lm/W) | Working Voltage (V DC) | Working Current (mA/piece) | Power (W/piece) |
|--------|------------|--|----------------|--------------------------|--------|----------------------------|------------------------|----------------------------|-----------------|
| M833TB | Cold white | 9000 | 170 | 80 | ≥75 | 80 | 12 | 84 | 1 |
| M833TB | red | 620-625 | 170 | 30 | ≥75 | 30 | 12 | 84 | 1 |

Others:

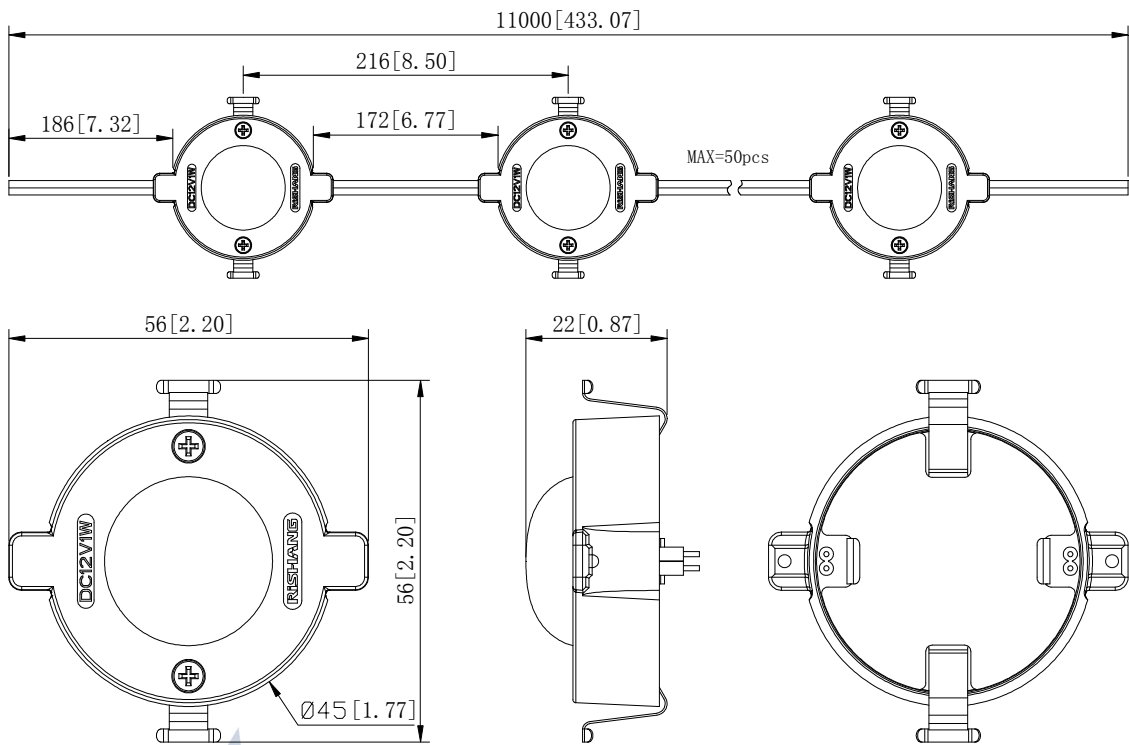
| P/N | LED Color | Standard Qty per String (pcs) | Max. Qty per String(pcs) | | Weight (/piece) | | Operating Temperature | | Storage Temperature | | IP Grade |
|--------|------------|-------------------------------|--------------------------|-----------------------|------------------|-------|-----------------------|--------------|---------------------|--------------|----------|
| | | | Single-end power feed | Double-end power feed | g | lb | (°C) | (°F) | (°C) | (°F) | |
| M833TB | Cold white | 50 | 50 | 100 | 40 | 0.088 | -40~ +60 | -40~ +140 | -40~ +70 | -40~ +158 | IP67 |
| M833TB | red | 50 | 50 | 100 | 40 | 0.088 | -40~ +60 | -40~ +140 | -40~ +70 | -40~ +158 | IP67 |

Notes:

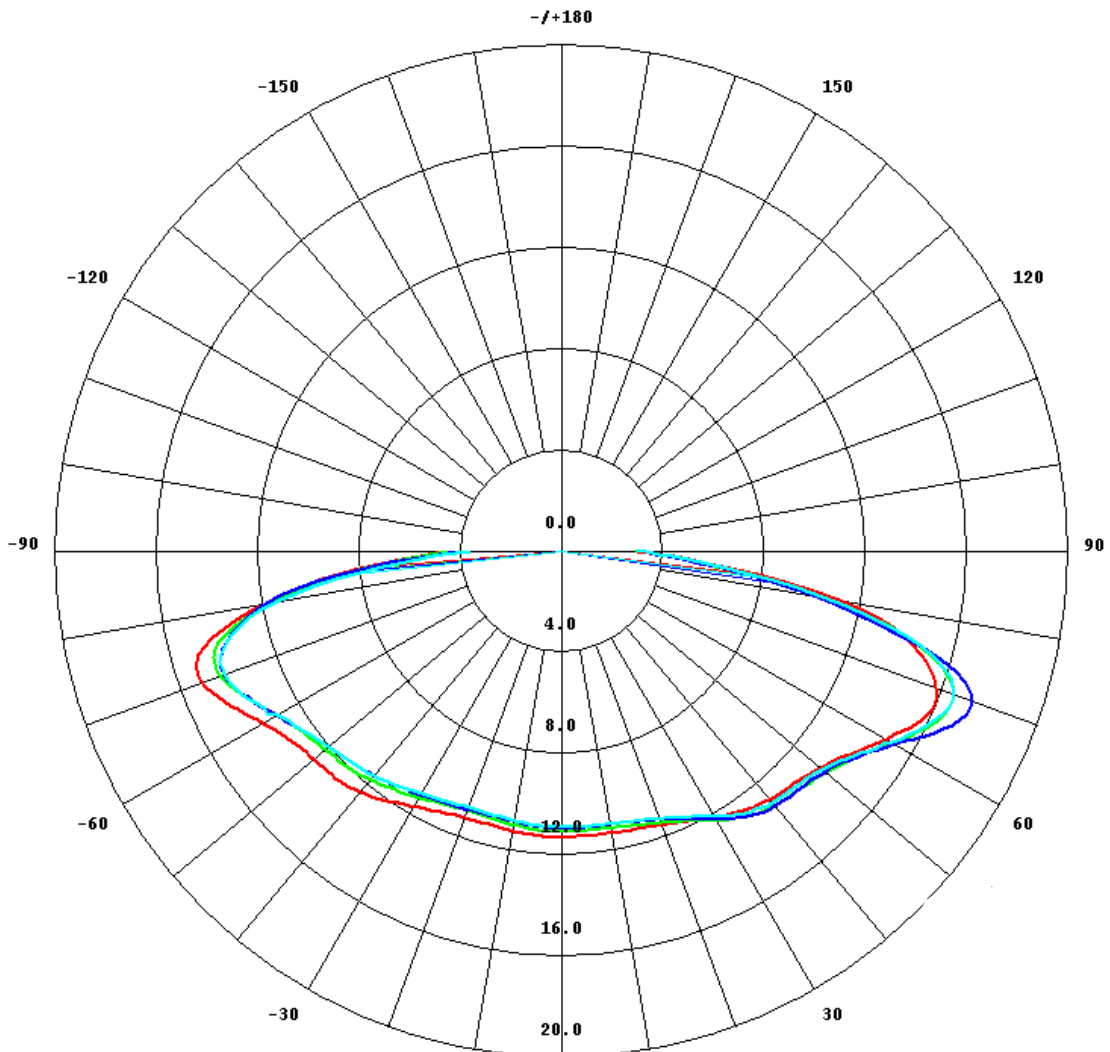
- ① Testing environment temperature: 25±2°C [77±3.6°F];
- ② The above parameters are typical data; the actual parameters of each single product could differ from the typical data. The data are subject to change without prior notice.

Profile Drawings:

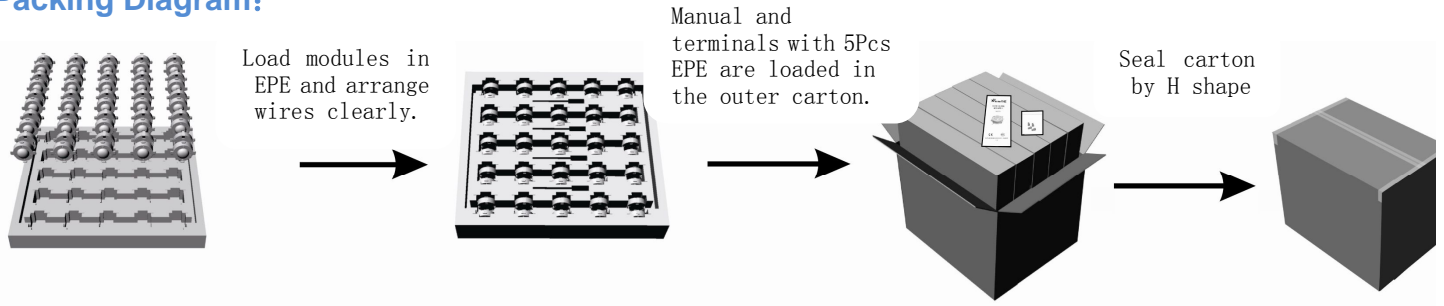
Unit: mm[in]



Light Distribution:



Packing Diagram:



Packaging:

1. outer carton dimension: $46*37.5*51\text{cm}=0.088 (1\pm 10\%) \text{ CBM}$ [18.11 *14.76*20.08in];
2. 50 modules per string, 50 modules per EPE, 5Pcs EPE per carton, 250 modules per carton;
3. Net weight (NW): $10 (1\pm 10\%) \text{ kg}[22.0(1\pm 10\%)\text{lb}]$;
4. Gross weight (GW): $12.3 (1\pm 10\%) \text{ kg}[27.1(1\pm 10\%)\text{lb}]$;
5. The actual packed quantity and weight subject to change without prior notice.

