

RF wireless LED remote controller

Model:SR-2819 with SR-1009Fxx



- Six zones/areas
- Press-button RGBW controller
- Receivers work with WIFI-RF converter to be controlled by smart phone



Product introduction

SR-2819 RGBW remote controller has 6 different zones. It can get Red/ Green/ Blue/ White color directly. The remote controller can save up to 6 colors or 6 modes into corresponding buttons (1-6 positions) for each zone. You can choose any color through color wheel. you can set the system as RGB 3-channel output, or RGBW 4-channel output

Parameter

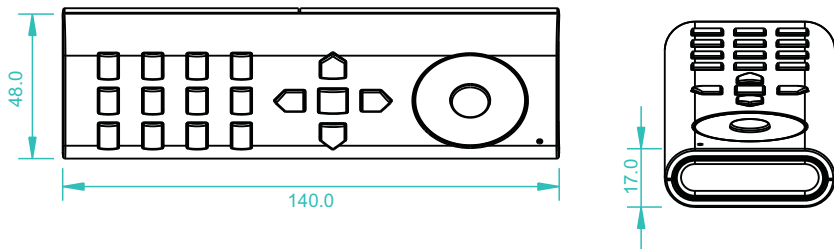
Remote

Part No.	Operation Voltage	Operation Frequency	DIMENSIONS ø/h (mm)	Remarks
SR-2819	3.6VDC	434MHz/868MHz	48x140x16	load 3pcs 7 AAA (1.5V) batteries

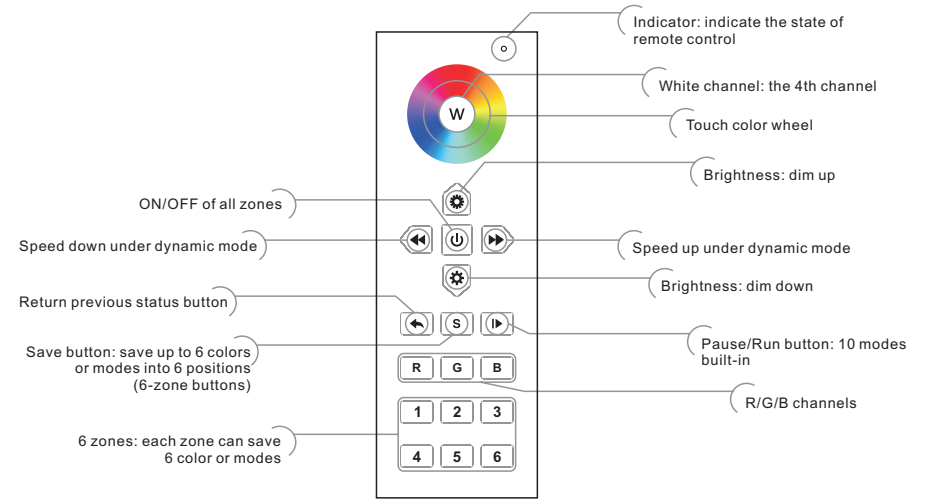
Receiver

Part No.	Input Voltage	Current	Output	Remarks
SR-1009FA	12-36VDC	4x5A	4x(60-180)W	Constant voltage
SR-1009EA	12-36VDC	4x8A	4x(96-288)W	Constant voltage
SR-1009FA3	12-36VDC	4x350mA	4x(4.2-12.6)W	Constant current
SR-1009FA7	12-36VDC	4x700mA	4x(8.4-25.2)W	Constant current

Product Size

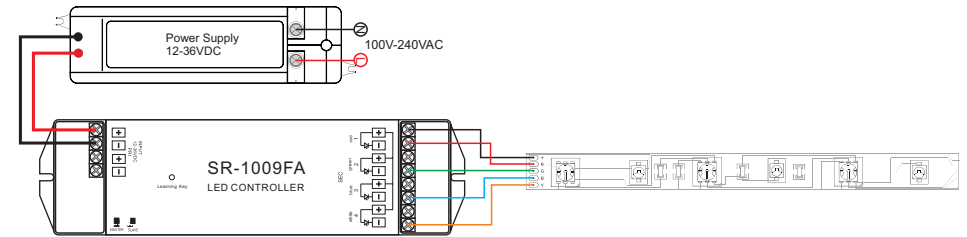


Brief introduction of buttons

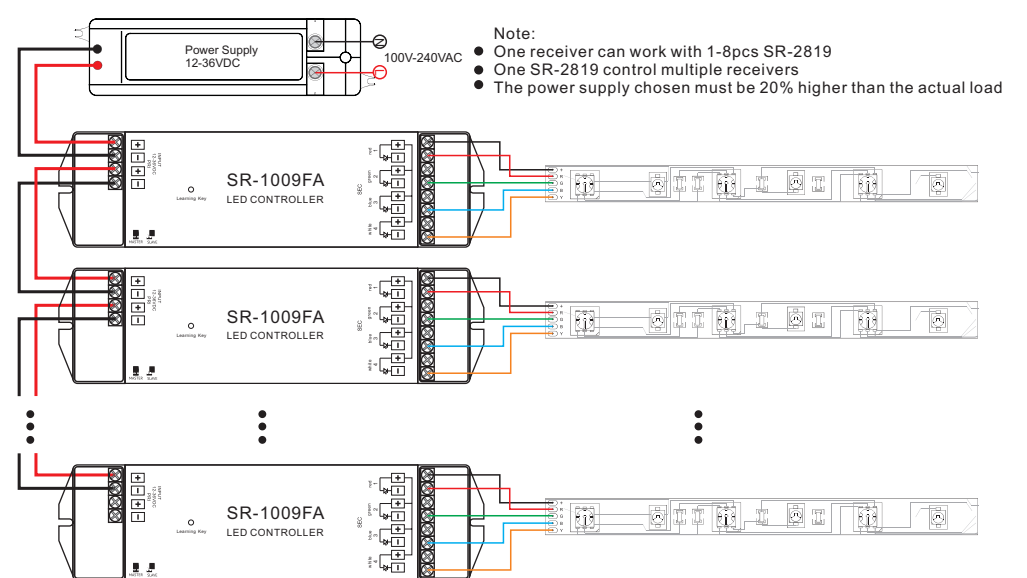


Wiring diagram

1)Receiver Connection Diagram for Single Unit



2)Receiver Connection Diagram for Multiple Units



Operation

Learning (matching)

- Do wiring according to connection diagram
- Wake up the remote control by touching ON/OFF button.
- Press learning button on receiver.
- Touch any zone button on remote control.
- Then touch color wheel.
- Connected LED light will blink to confirm zone designation.
- Press at learning button on receiver over 5 seconds until LED light flash, then delete the learned ID.

Note 1: To choose a master from slaves by jumper for each zone.

Short circuit for master.

Open circuit for slave.

Each zone only can set one master controller. After a period of time, the master will do synchronization operation to keep the same color or mode of all slaves in one zone.

Note 2: Each remote control 8 zones (areas) receivers, each area can be learned as many receivers as we can.

Each receiver maximally can be controlled by 8 different remote controllers.

RGBW button

Touch **R G B W** button is to switch on/off of each corresponding color.

Hold your finger on **R G B W** button to dim brightness of each corresponding color. There are total 8 levels of brightness.

Note: If you press R, then press G, then it is mix color of R and G. If you want to get G color directly, please press R to switch off of R first. Then press G.

Running&Pause Button

- Press pause&run button **▶**, mode will run. Press it once, it runs one mode. Press button again, it stops, then press one more time, it will enter next mode. There are total 10 build-in modes.
- Pause&run button can work with S button **S**, it can save modes into different zone.
- Touch button **1 2 3** one by one, such as press button 1,2,3,4,5,6, then **4 5 6**

Press **▶** button. Zone 1,2,3,4,5,6 will run synchronized mode, after long press, LED lighting will flash twice, they will switch to chasing running mode, long press again to switch back.

Return button

Touch **◀** button to return previous color or running mode.

Speed up and Speed down Button

Touch button **◀▶** to speed down when mode is running, touch button **▶▶** to speed up when mode is running.

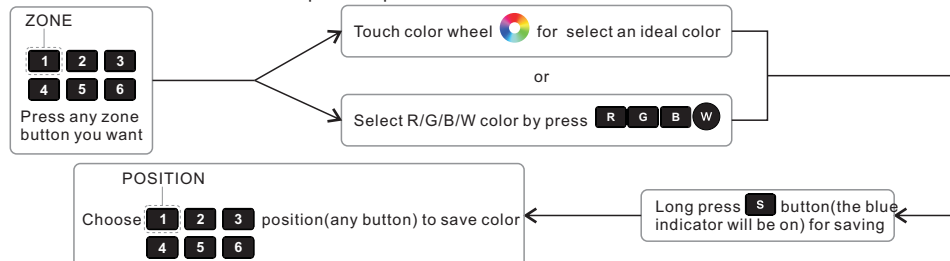
Brightness down or up button

Short/long press button **✳** to dim down brightness of RGB channels, Short/ long press **⬆** button to dim up RGB channels.

"W" channel is separated from RGB channels, so we can only long press button to dimming "W" channel.

Save Button

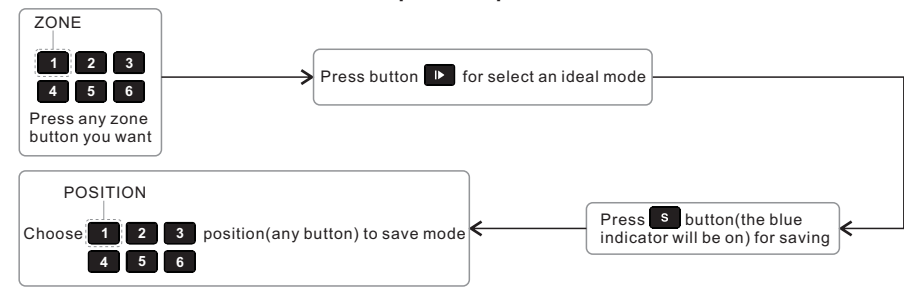
- How to save color into different position per zone?



For example, press zone button 1, then touch color wheel for orange color, then press S button (the blue indicator will be on), then choose position button 3. That's to say, we save orange color from zone 1 into position 3.

So each zone can save 6 colors. 6 zones can save 36 colors.

b. How to save mode into different position per zone?



c. Recall

Choose zone number form **1 2 3**, then press **S** button, and press the position button which color or mode saved into. **4 5 6**

Safety & Warnings

- The product shall be installed and serviced by a qualified person.
- IP20. Please avoid the sun and rain. When installed outdoors, please ensure it is mounted in a water proof enclosure.
- Always be sure to mount this unit in an area with proper ventilation to avoid overheating.
- Please check if the output voltage of any LED power supplies used comply with the working voltage of the product.
- Never connect any cables while power is on and always assure correct connections to avoid short circuits before switching on.
- Please ensure that the cable is secured tightly in the connector
- For update information please consult your supplier.

Warranty Agreement

- We provide lifelong technical assistance with this product:

- 3-year warranty. We print date on every products, for example :1125 means year 2011, week 25. The warranty is for free repair or replacement and covers manufacturing faults only.

- For faults beyond the 3-year warranty we reserve the right to charge for time and parts.

- Limited Warranty

- Any defects caused by wrong operation.

- Any damages caused by unauthorized removal, maintenance, modifying, incorrect connection and replacement of chips.

- Any damages due to transportation, vibration etc. after purchase.

- Any damages caused by earthquake, fire, lightning, pollution and abnormal voltage.

- Any damages caused by negligence, inappropriate storing at high temperatures and humidity or near harmful chemicals.

- Product has been updated

- Repair or replacement as provided under this warranty is the exclusive remedy to the customer.