

# Specification

| Prepared | Checked | Approved | Accepted | Confirmed | Approved |
|----------|---------|----------|----------|-----------|----------|
|          |         |          |          |           |          |



**Model:** RD0064TC-A/RD00C8TC-A/RD00K2TC-A-T

5000\*10, 320pcs 2835 SMD LED, bare board series with high luminous efficacy, 24Vdc, constant voltage, LED flex strip

5000\*10, 640pcs 2835 SMD LED, bare board series with high luminous efficacy, 24Vdc, constant voltage, LED flex strip

3000\*10, 576pcs 2835 SMD LED, bare board series with high luminous efficacy, 24Vdc, constant voltage, LED flex strip

**Figure:**



**Features:**

- ⊙ Luminous efficacy 160lm/W, high efficiency and saving energy;
- ⊙ Spectroscopic standard ERP, one BIN only, good color uniformity;
- ⊙ 3oz pure copper PCB, low attenuation ;
- ⊙ Strong oxidation resistance by silver;
- ⊙ Silver-Tin pad design, easy soldering;
- ⊙ CE, ROHS, UL compliant
- ⊙ The product with "-T" needs to use with aluminum profile because of the high power;

**Applications:**

- ⊙ Suitable for hotel, shopping mall, home, cabinet, show frame, etc. as main lighting, indirect lighting, cove lighting, contour lighting, decorative lighting, etc.

**Warranty:**

- ⊙ 5 years or 22,000 hours, whichever comes first.

**Optical and Electrical Parameters:**

| P/N        | LED Color | CT (K) WL (nm) | CRI | SDCM | Beam Angle (°) | Luminous Flux (lm/m) | Luminous Efficacy (lm/W) | Working voltage (VDC) | Working current (mA) |               | Power (W/piece) |               |
|------------|-----------|----------------|-----|------|----------------|----------------------|--------------------------|-----------------------|----------------------|---------------|-----------------|---------------|
|            |           |                |     |      |                |                      |                          |                       | 1m[3 9.37in]         | 5m[1 96.85in] | 1m[ 39.37in]    | 5m[1 96.85in] |
| RD0064TC-A | White     | 1800           | ≥80 | ≤5   | ≥115           | 605                  | 101                      | 24                    | 250                  | 1100          | 6               | 26.5          |
| RD0064TC-A | White     | 2200           | ≥80 | ≤5   | ≥115           | 790                  | 131                      | 24                    | 250                  | 1100          | 6               | 26.5          |
| RD0064TC-A | White     | 2400           | ≥80 | ≤5   | ≥115           | 845                  | 141                      | 24                    | 250                  | 1100          | 6               | 26.5          |
| RD0064TC-A | White     | 2700           | ≥80 | ≤5   | ≥115           | 865                  | 144                      | 24                    | 250                  | 1100          | 6               | 26.5          |
| RD0064TC-A | White     | 3000           | ≥80 | ≤5   | ≥115           | 880                  | 147                      | 24                    | 250                  | 1100          | 6               | 26.5          |
| RD0064TC-A | White     | 4000           | ≥80 | ≤5   | ≥115           | 960                  | 160                      | 24                    | 250                  | 1100          | 6               | 26.5          |
| RD0064TC-A | White     | 5000           | ≥80 | ≤5   | ≥115           | 960                  | 160                      | 24                    | 250                  | 1100          | 6               | 26.5          |
| RD0064TC-A | White     | 6500           | ≥80 | ≤5   | ≥115           | 930                  | 155                      | 24                    | 250                  | 1100          | 6               | 26.5          |

|              |       |      |     |    |      |      |     |    |     |      |    |      |
|--------------|-------|------|-----|----|------|------|-----|----|-----|------|----|------|
| RD00C8TC-A   | White | 1800 | ≥80 | ≤5 | ≥115 | 1210 | 101 | 24 | 500 | 2100 | 12 | 50.5 |
| RD00C8TC-A   | White | 2200 | ≥80 | ≤5 | ≥115 | 1575 | 131 | 24 | 500 | 2100 | 12 | 50.5 |
| RD00C8TC-A   | White | 2400 | ≥80 | ≤5 | ≥115 | 1690 | 141 | 24 | 500 | 2100 | 12 | 50.5 |
| RD00C8TC-A   | White | 2700 | ≥80 | ≤5 | ≥115 | 1730 | 144 | 24 | 500 | 2100 | 12 | 50.5 |
| RD00C8TC-A   | White | 3000 | ≥80 | ≤5 | ≥115 | 1765 | 147 | 24 | 500 | 2100 | 12 | 50.5 |
| RD00C8TC-A   | White | 4000 | ≥80 | ≤5 | ≥115 | 1920 | 160 | 24 | 500 | 2100 | 12 | 50.5 |
| RD00C8TC-A   | White | 5000 | ≥80 | ≤5 | ≥115 | 1920 | 160 | 24 | 500 | 2100 | 12 | 50.5 |
| RD00C8TC-A   | White | 6500 | ≥80 | ≤5 | ≥115 | 1860 | 155 | 24 | 500 | 2100 | 12 | 50.5 |
| RD00K2TC-A-T | White | 1800 | ≥80 | ≤5 | ≥115 | 1815 | 101 | 24 | 750 | --   | 18 | --   |
| RD00K2TC-A-T | White | 2200 | ≥80 | ≤5 | ≥115 | 2360 | 131 | 24 | 750 | --   | 18 | --   |
| RD00K2TC-A-T | White | 2400 | ≥80 | ≤5 | ≥115 | 2535 | 141 | 24 | 750 | --   | 18 | --   |
| RD00K2TC-A-T | White | 2700 | ≥80 | ≤5 | ≥115 | 2590 | 144 | 24 | 750 | --   | 18 | --   |
| RD00K2TC-A-T | White | 3000 | ≥80 | ≤5 | ≥115 | 2650 | 147 | 24 | 750 | --   | 18 | --   |
| RD00K2TC-A-T | White | 4000 | ≥80 | ≤5 | ≥115 | 2880 | 160 | 24 | 750 | --   | 18 | --   |
| RD00K2TC-A-T | White | 5000 | ≥80 | ≤5 | ≥115 | 2880 | 160 | 24 | 750 | --   | 18 | --   |
| RD00K2TC-A-T | White | 6500 | ≥80 | ≤5 | ≥115 | 2795 | 155 | 24 | 750 | --   | 18 | --   |

**Others:**

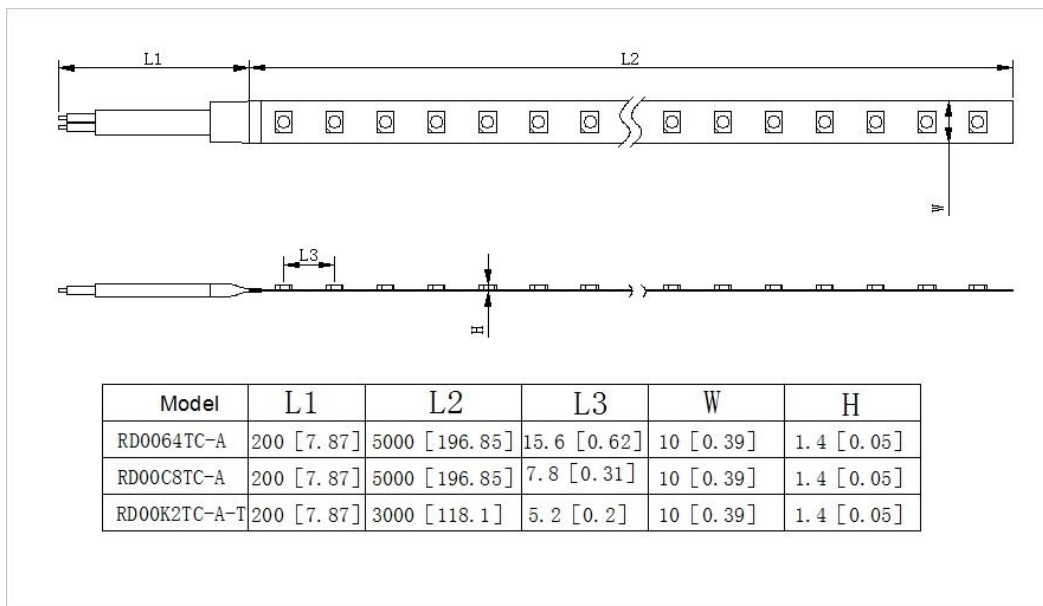
| P/N          | IP Grade | Operating Temp |      | Storage Temp |      | Standard length |        | Max. cascading length |        | LED Qty (pcs) | Weight    |            |
|--------------|----------|----------------|------|--------------|------|-----------------|--------|-----------------------|--------|---------------|-----------|------------|
|              |          | (°C)           | (°F) | (°C)         | (°F) | (m)             | (inch) | (m)                   | (inch) |               | (g/piece) | (lb/piece) |
| RD0064TC-A   | IP20     | -25~           | -13~ | -25~         | -13~ | 5               | 196.8  | 5                     | 196.8  | 64            | 15        | 0.033      |
|              |          | +60            | +140 | +70          | +158 |                 |        |                       |        |               |           |            |
| RD00C8TC-A   | IP20     | -25~           | -13~ | -25~         | -13~ | 5               | 196.8  | 5                     | 196.8  | 128           | 17        | 0.037      |
|              |          | +60            | +140 | +70          | +158 |                 |        |                       |        |               |           |            |
| RD00K2TC-A-T | IP20     | -25~           | -13~ | -25~         | -13~ | 3               | 118.1  | 3                     | 118.1  | 192           | 20        | 0.044      |
|              |          | +50            | +140 | +70          | +158 |                 |        |                       |        |               |           |            |

Notes:

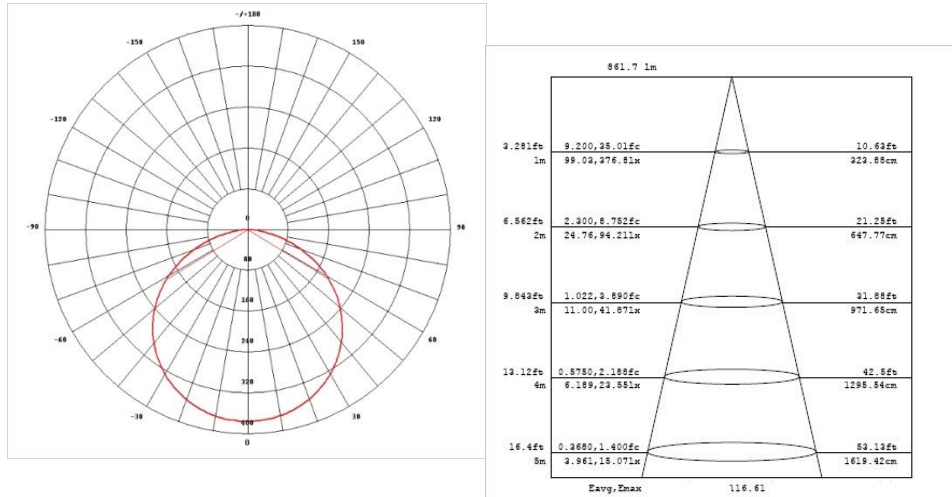
- (1) Testing environment temperature:  $25\pm 2^{\circ}\text{C}$  [ $77\pm 3.6^{\circ}\text{F}$ ];
- (2) The actual data of each single product may differ from above typical data which are subject to change without prior notice;
- (3) The above "--" means the parameters are not required temporarily
- (4) Considering the product with "-T" is of high power and will produce a certain amount of heat during work, stick it to the auxiliary material with good heat dissipation and ensure the operating environment of  $\text{TC}\leq 50^{\circ}\text{C}$ .

Profile Drawings:

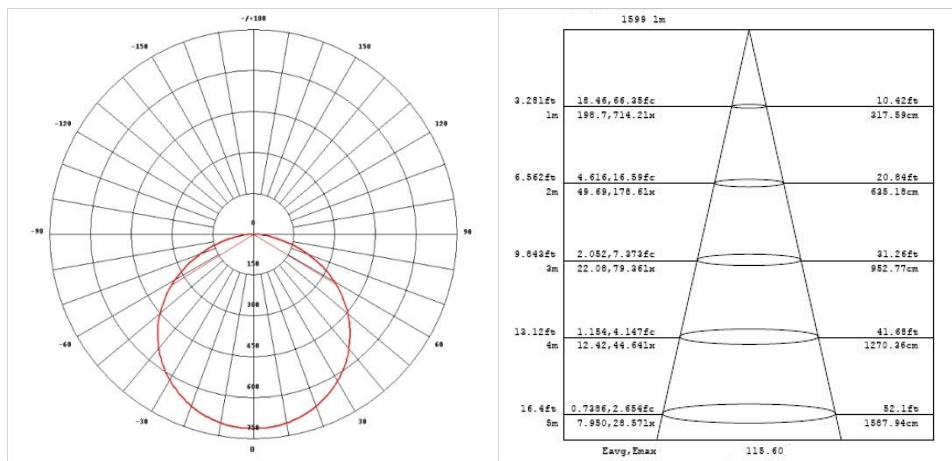
Unit: mm[inch]



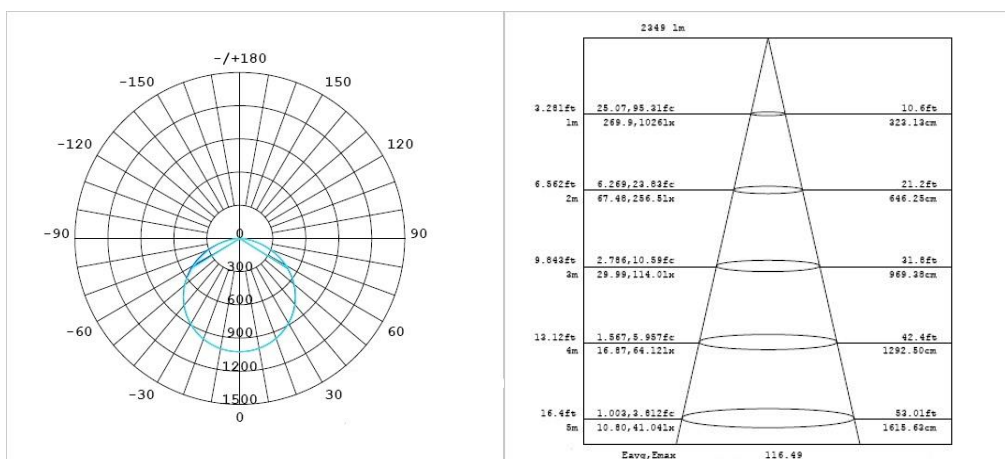
Light Distribution/Iso-illuminance Diagram:



RD0064TC-A



RD00C8TC-A

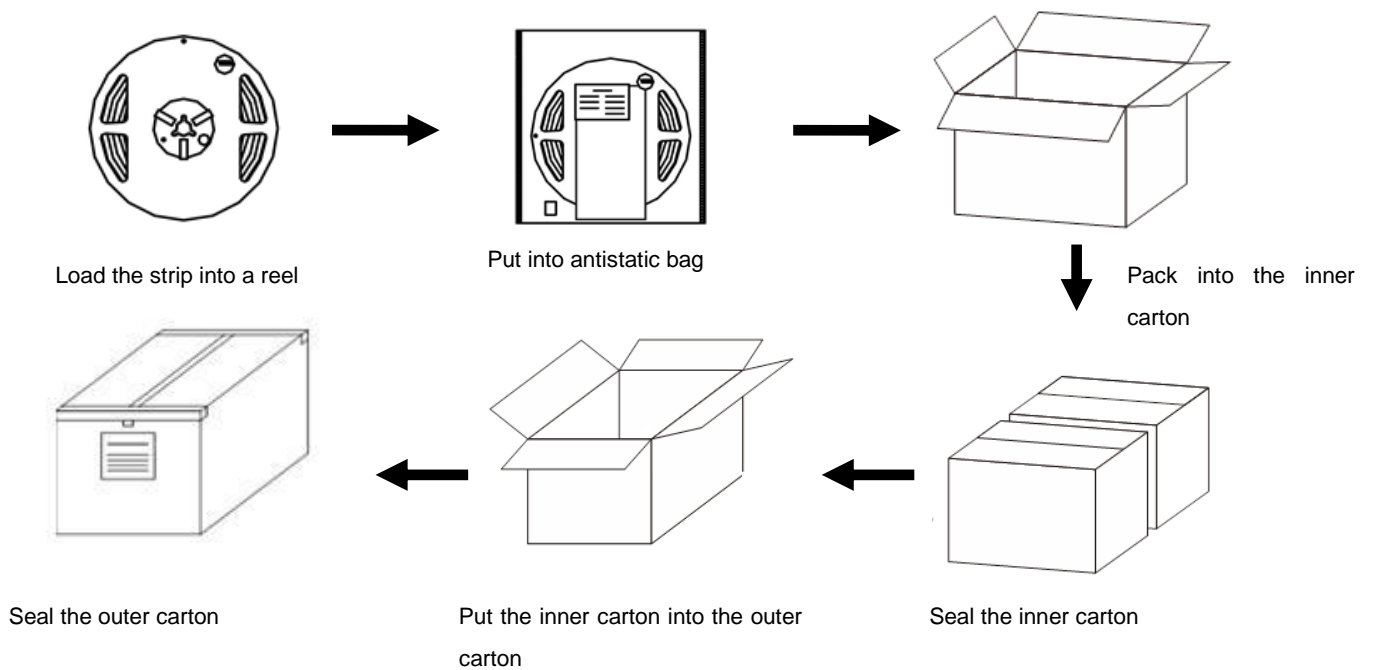


RD00K2TC-A-T

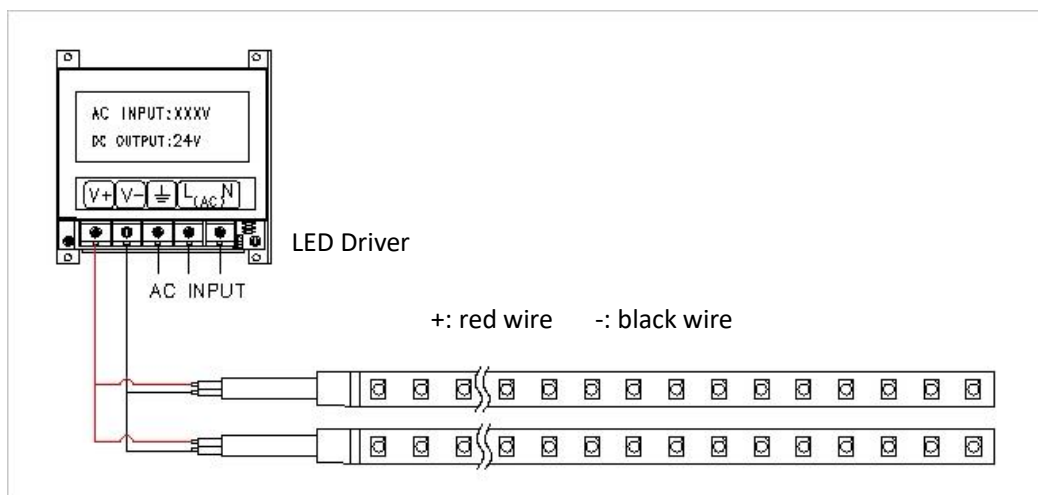
### Packaging Information:

| P/N          | Qty<br>(PCS/bag) | Qty<br>(bag/carton) | Total<br>Qty<br>(PCS) | Total weight |      | Outer carton |        |       |        |        |        |
|--------------|------------------|---------------------|-----------------------|--------------|------|--------------|--------|-------|--------|--------|--------|
|              |                  |                     |                       | (Kg)         | (lb) | length       |        | width |        | height |        |
|              |                  |                     |                       |              |      | (mm)         | (inch) | (mm)  | (inch) | (mm)   | (inch) |
| RD0064TC-A   | 5                | 75                  | 150                   | 3.8          | 8.36 | 398          | 15.66  | 256   | 10.07  | 238    | 9.37   |
| RD00C8TC-A   | 5                | 75                  | 150                   | 4.1          | 9.02 | 398          | 15.66  | 256   | 10.07  | 238    | 9.37   |
| RD00K2TC-A-T | 3                | 60                  | 120                   | 4.0          | 8.8  | 398          | 15.66  | 256   | 10.07  | 238    | 9.37   |

### Packaging Diagram:



### Connection Instruction:



Note: Please connect the '+' and '-' of strips to those of driver output correctly.

### Parts & Tools:

Product Spare Parts

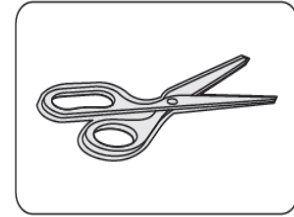


LED Strip

Self-provided Tools

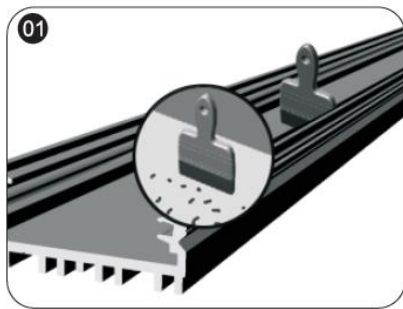


Electrical Drill & Drilling bit

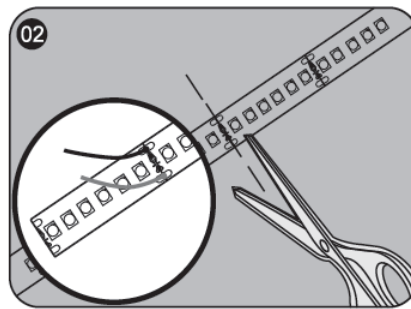


Scissors

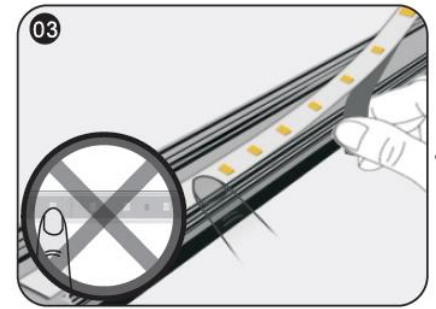
Installation Steps & Cautions:



- Make sure the mounting surface is clean before installation;



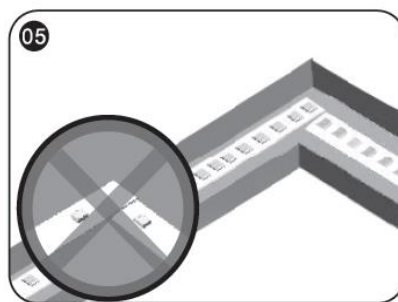
- Calculate the needed length and cut off the extra length along cutting mark if necessary; if need to add wires, please weld them at the next location with printed mark



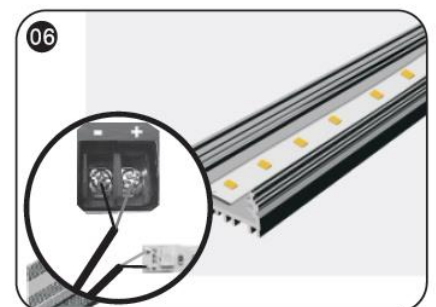
- While sticking strips, peel off the release paper of the tape step by step. Don't peel off all release paper at a time to avoid getting your strip in a mess.
- △Notes: No pressing the bead!



- Stick Mylar tape to isolate the cutting position from the bottom of profile inner slot to avoid short-circuit;

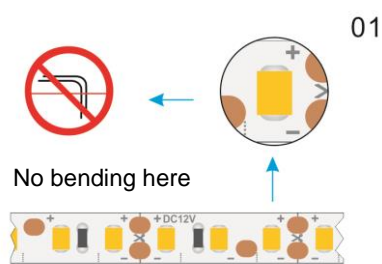


- The installation at the corner is shown as the above figure.
- △Notes: No bending it into right angle; No twisting it to stick on the mounting surface.



- Connect strip wires to the output terminal of power supply, and dispose with waterproof, insulation, short-circuit and anti-corrosion protection at both the wire joints and the cut section of your strip (if any).

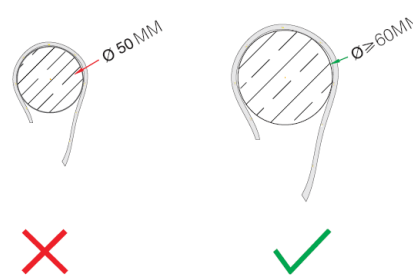




⊙ No bending the strip at the position of LED



⊙ No twisting the strip



⊙ No winding an object with a diameter <5cm.

### Troubleshooting:

| Malfunctions                         | Possible Causes   | Solutions  |
|--------------------------------------|---|--|
| All LEDs don't work                  | 1. The power supply did not connect to power grid.  | Power on   |
|                                      | 2. No electricity due to short-circuit of external power supply.                                      | Remove the malfunction caused by short-circuit, power on again.  |
|                                      | 3. The wires of strips connect to power supply output reversely.                                      | Check the connecting and ensure the wires are connected correctly.   |
| Part of LEDs don't work              | 1. Part of power supplies do not have output.   | Check the power supply system.   |
|                                      | 2. Part of wires of strips have malfunction.  |  |
|                                      | 3. Particular modules connected reversely.  | Correct connection   |
| Brightness of LEDs is weak or uneven | 1. Overloaded power supply;   | Replace it with higher power supply  |
|                                      | 2. The power loss of power circuit is huge or the power loss of each circuit existing big difference. | Ensure working voltage of strips is within $\pm 5\%V$ of rated voltage.<br>1. Shorten the length of wires between the first strip and power supply or replaced with wires with bigger diameter;<br>2. Ensure the cascading qty of string is less than or equal to the allowed maximum cascading qty, and each strip cascading qty is well-balanced.) |
|                                      | 3. Exceed in qty of strips in series  | Lessen the cascading qty for strip and ensure the qty for each electrical circuit is within the maximum cascading qty.   |
| LEDs are blinking                    | 1. Poor contacted in the joints.  | Find out and tackle malfunction immediately.   |
|                                      | 2. Failures in power supply.  | Power on   |

### Declaration:

- ⊙ If the external flexible cable of light box is damaged, please replace it by its manufacturer or its service agent or qualified person to avoid a hazard.
- ⊙ The specific installation and cautions please refer to the user manual.
- ⊙ The given data in this specification is based on our standard product. There may be existed slight difference compared with actual products.
- ⊙ All illustrations in this specification are for reference only.
- ⊙ This product is subject to change or modify without prior notice.
- ⊙ RISHANG OPTOELECTRONICS CO., LTD reserves the right of final explanation for this specification.

<End>



**Rishang Optoelectronics Co., Ltd** (stock code: 002654)

Add: Block 2, Hongfa jiateli High-Tech. Park Tangtou Ave., Shiyan, Bao'an Shenzhen  
Guang Dong, 518108, China.

Tell: +86-755-33258896 E-mail: [info@ledlamps.com.cn](mailto:info@ledlamps.com.cn)

Website: [www.ledlamps.com.cn](http://www.ledlamps.com.cn)

