

# SR-2810 programmable RGB remote controller 4 zones

## 1. Product introduction

SR-2810 remote controller is touching color wheel remote which has 4 different zones that can be controlled separately or simultaneously in any combination, with multiple receivers allowed in each zone.

The remote can store color sequences into 4 zones. Enable to choose to fade or step through color wheel.



## 2. Performance Parameter

(1) Sender: (SR-2810)

Operation voltage: 4.5VDC

Operation frequency: 434MHZ / 868MHZ

Battery: 3pcs 7 AAA battery.

(2) Receiver: (SR-1006TA/ SR-1006FA/ SR-1006EA/ SR-1006FA3/ SR-1006FA7)

Input voltage: 12-36VDC

Output voltage: 12-36VDC

SR-1006TA: 3 channels x 3A, 3 channels x (36-108W)

SR-1006FA: 3 channels x 5A, 3 channels x (60-180W)

SR-1006EA: 3 channels x 8A, 3 channels x (96-288W)

SR-1006FA3: 3 channels x 350mA, 3 channels x (4.2-12.6W)

SR-1006FA7: 3 channels x 700mA, 3 channels x (8.4-25.2W).

## 3. Brief introduction of buttons

### 3.1 Remote

Color wheel

Run program of zone(s)

Decrease brightness

Primary color

Speed up

1-4 zones, store 4 programs  
Short press: choose zone  
Long press: on/off of zone(s)

Programmable button

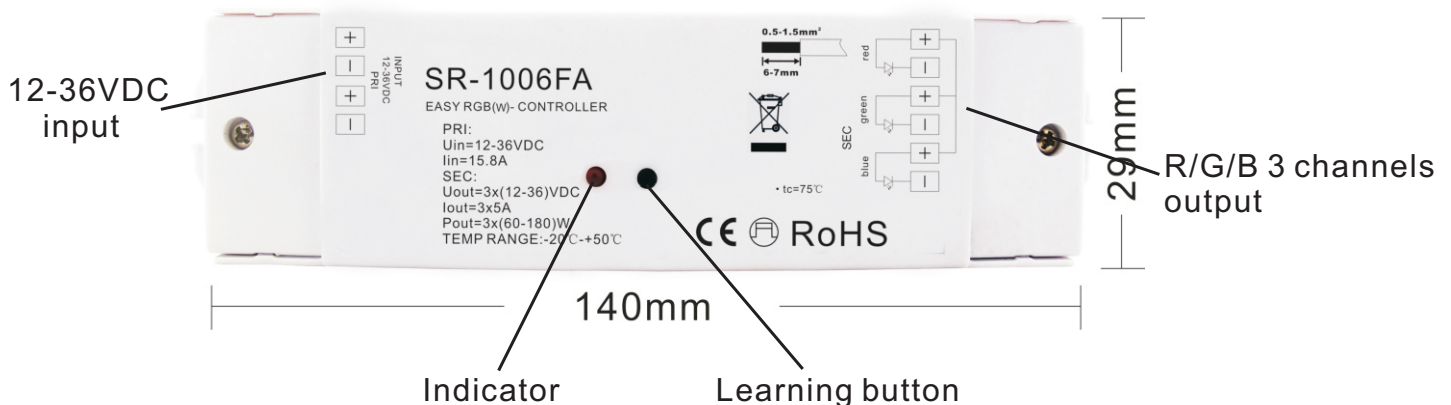
ON/OFF button

Increase brightness

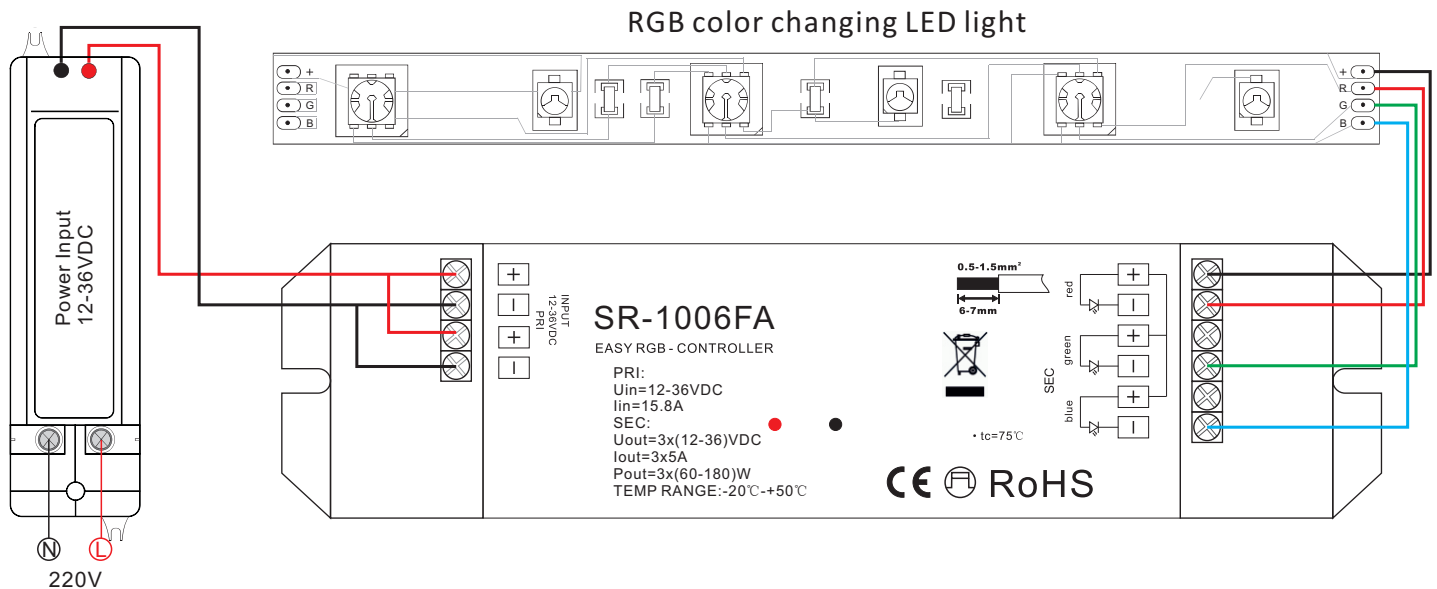
Saturation color temperature change to white

Speed down

### 3.2 Receiver



## 4.Connection diagram



## 5.Operation

1. Do wiring according to connection diagram
2. Learning process
  - a. Wake up the remote control by press ON/OFF button.
  - b. Press at learning button on receiver and the indicator will be on.
  - c. Press and hold a zone number on remote control.
  - d. The indicator on receiver will blink to confirm zone designation.
  - e. Press at learning button on receiver over 5 seconds until indicator off, then delete the learned ID.

**Note: Enable to assign multiple receivers to the same zone number and those receivers will be controlled synchronously. Enable to reassign a receiver to a different zone by the above same steps.**

### 3. Program

The ON/OFF button will wake up the remote and light controllers will resume the mode they were previously running. It will go to sleep after 10 seconds of inactivity and the remote has to be awake by pressing ON/OFF. To select the zone (s) you want to control by pressing the corresponding number(s). Press 1, 2, 3, 4 to send commands to those 4 zones together or press any one button of those 4 buttons to send command to any one zone. Such as:

Press ON/OFF -> Press zone number from 1 to 4 -> Press "P" button -> Touch multiple color at color wheel -> Press "P" button again to save program -> Press "M" button to run this program

- Note: 1. Enable to touch fade or step color at max 10 times for a program.  
2. Command 4 zones together, 4 zones will work in sequences.  
3. Each zone button only can store 1 program, if you store 2 programs into the same zone. The latter program will replace the previous program.**

To change brightness, choose the zone and press the increase or decrease brightness button.

To change the speed of the running color, choose the zone and press speed up & speed down button.