

# Specification

**Model:** M113TA

**Description:** 66\*12, 3pcs of 2835 SMD LED, constant voltage 12V, Slot and  
Adhesive series of Module

**Prepared by:** \_\_\_\_\_

**Checked by:** \_\_\_\_\_

**Standard Dept:** \_\_\_\_\_

**Approved by:** \_\_\_\_\_

**Issued Status:**    Draft     Published

# Specification

**Product:** 2835 Series of LED Module

**Applications:**  
Applied occasion: Plastic Words, Metal Words, Flat Panel Words, Black & White Board, Light Box, etc.

**Model:** M113TA

Scope of application: 8-18cm thickness of identify lighting

**Features:**



- 1、Light Source with 2,835 SMD LED;
- 2、Cascade Quantity up to 20pcs;
- 3、Process with encapsulating compound, good dustproof and waterproof;
- 4、CE、RoHS approved;

**Installation:**

- 1、Installation methods: PE foam Double-sided Adhesive fixed, fixed with screw in the screw holes.
- 2、Cascade can be cut; single module can be cut.

**Warranty:**

3 years or 13000 hours, whichever comes first.

**Optical and Electrical Parameters:**

P/N	LED Color	Color Temperature (K) Wavelength (nm)	Beam Angle (°)	Luminous Flux (lm/piece)	CRI (Ra)	Luminous Efficiency (lm/W)	Working Voltage (V DC)	Working Current (mA/piece)	Power (W/piece)
M113TA	Warm White	3000	115	28	≥75	84.8	12	27.5	0.33
M113TA	Pure White	6000	115	28	≥75	84.8	12	27.5	0.33
M113TA	Cold White	9000	115	28	≥75	84.8	12	27.5	0.33
M113TA	Red	620-625	115	9	—	27.3	12	27.5	0.33
M113TA	Yellow	585-590	115	10.5	—	31.8	12	27.5	0.33
M113TA	Green	525-530	115	13.5	—	56.3	12	20	0.24

M113TA	Blue	465-470	115	3	—	12.5	12	20	0.24W
--------	------	---------	-----	---	---	------	----	----	-------

**Others:**

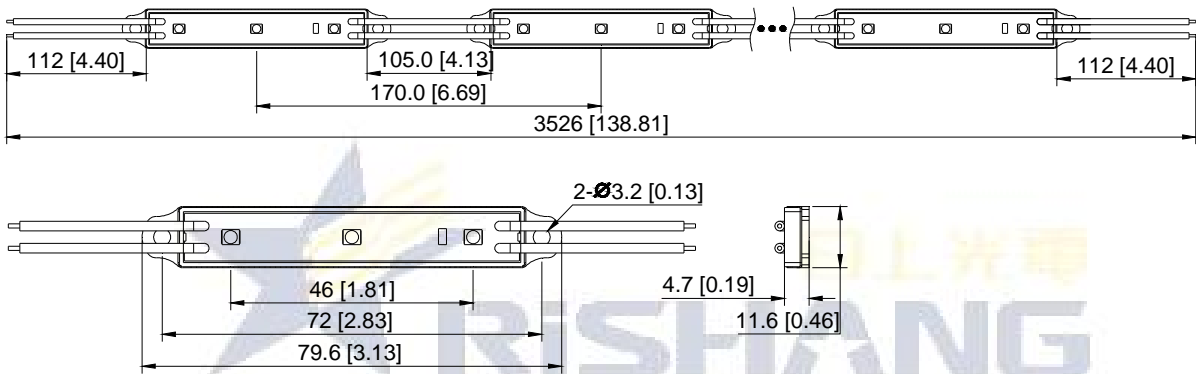
P/N	LED Color	Standard Qty per String (pcs)	Max. Qty per String(pcs)		Weight ( /piece)	Operating Temperature	Storage Temperature	IP Grade
			Single-end power feed		(g)	(°C)	(°C)	
M113TA	White	20	20		5.6	-25~+60	-25~+70	IP65
M113TA	Red							
M113TA	green							
M113TA	blue							
M113TA	yellow							

**Remark:**

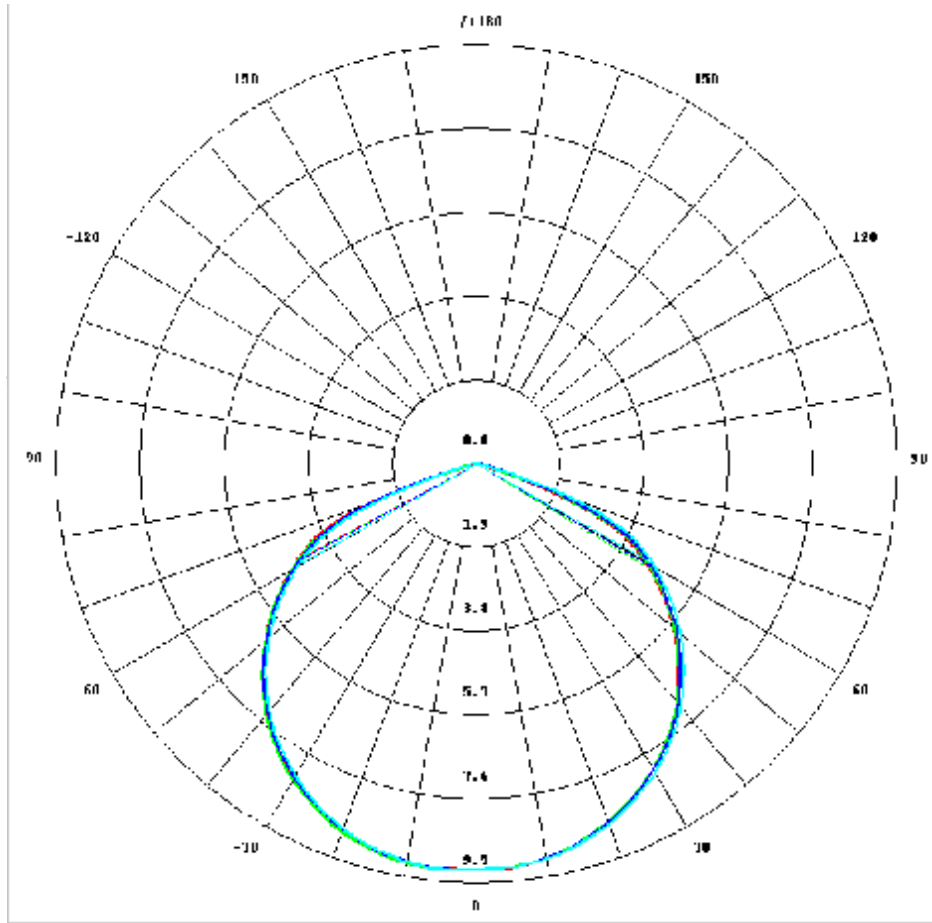
- ① Testing environment temperature 25±2°C ;
- ② The above data are typical values; the actual data of each single product could differ from the typical values. The data subject to change without prior notice.

**Profile Drawings:**

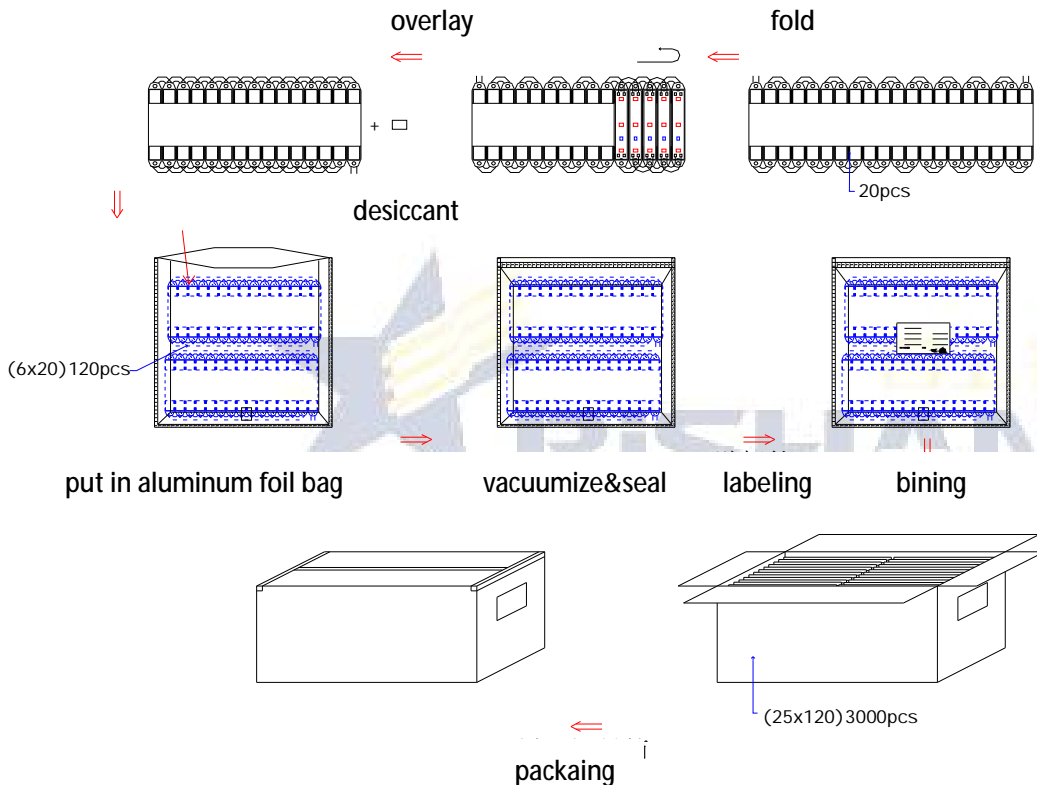
Unit: mm [in]



**Light Distribution:**



**Packaging diagram:**



**Packaging Information**

- 1、 Products are sealed in aluminum foil bags, packaged by two-layer corrugated box;
- 2、 Carton Dimension: 528\*376\*272mm;
- 3、 20 pieces of products for each cascade, 6 cascades in one aluminum foil bag, 25 pieces of aluminum foil bags in

one Carton, 3000 pieces of products in total;

- 4、 Net weight (NW): 16.79(1±10%) kg;
- 5、 Gross weight (GW) 17.67(1±10%) kg;
- 6、 The above-mentioned package quantity and weight are only subject to on the diagram. They may be different from other method of package which is subject to the material objects.

