

Specification

Prepared	Checked	Approved	Accepted	Confirmed	Approved

- UL
- CE
- RoHS
- 2835 SMD
- 60/120 LEDS/M
- LED Strip
- DC 12/24V
- IP 65
- 3 years

Model : ☉ RD1160TA-B 、 RD1160TC-B 、 RD11C0TC-B 、 RD1360TA-A、 RD1360TC-A

5000*11mm, 300pcs 2835 SMD LEDs, silica gel tube series, constant voltage 12Vdc, waterproof flexible LED strip

5000*11mm, 300pcs 2835 SMD LEDs, silica gel tube series, constant voltage 24Vdc, waterproof flexible LED strip

5000*11mm, 600pcs 2835 SMD LEDs, silica gel tube series, constant voltage 24Vdc, waterproof flexible LED strip

5000*13mm, 300pcs 2835 SMD LEDs, silica gel tube series, constant voltage 12Vdc, waterproof flexible LED strip

5000*13mm, 300pcs 2835 SMD LEDs, silica gel tube series, constant voltage 24Vdc, waterproof flexible LED strip

Picture:



Features:

- ☉ Adopt 2835 SMD LEDs with high strength, high reliability;
- ☉ ERP color standard, one bin only, with good color consistency;
- ☉ Good oxidation resistance by silver-plated pad;
- ☉ Engineering pad design, easy soldering;
- ☉ New ID, simple and artistic;
- ☉ UL、CE、RoHS compliant, guaranteed quality.

Applications:

- ☉ Suitable for hotel, shopping mall, home, cabinet, show frame, etc. as main lighting, indirect lighting, cove lighting, contour lighting, decorative lighting, etc.

Warranty:

- ☉ 3 years or 13,000 hours, whichever comes first

Optical and Electrical Parameters:

P/N	LED Color	CCT (K)	CRI	SDCM	Beam Angle (°)	Luminous Flux (lm/m)	Luminous Efficacy (lm/w)	Working voltage (VDC)	Working current(mA)		Power (w)	
									1m[3 9.37 in]	5m[1 96.8 5in]	1m[3 9.37 in]	5m[1 96.8 5in]
RD1160TA-B	White	1800	≥80	≤5	≥115	394	67	12	500	1830	6	22
RD1160TA-B	White	2200	≥80	≤5	≥115	538	90	12	500	1830	6	22
RD1160TA-B	White	2400	≥80	≤5	≥115	561	94	12	500	1830	6	22
RD1160TA-B	White	2700	≥80	≤5	≥115	572	95	12	500	1830	6	22
RD1160TA-B	White	3000	≥80	≤5	≥115	588	98	12	500	1830	6	22
RD1160TA-B	White	4000	≥80	≤5	≥115	587	98	12	500	1830	6	22
RD1160TA-B	White	5000	≥80	≤5	≥115	559	93	12	500	1830	6	22
RD1160TA-B	White	6500	≥80	≤5	≥115	535	89	12	500	1830	6	22
RD1160TC-B	White	1800	≥80	≤5	≥115	359	60	24	250	1000	6	24
RD1160TC-B	White	2200	≥80	≤5	≥115	459	77	24	250	1000	6	24

RD1160TC-B	White	2400	≥80	≤5	≥115	480	80	24	250	1000	6	24
RD1160TC-B	White	2700	≥80	≤5	≥115	485	81	24	250	1000	6	24
RD1160TC-B	White	3000	≥80	≤5	≥115	490	82	24	250	1000	6	24
RD1160TC-B	White	4000	≥80	≤5	≥115	501	84	24	250	1000	6	24
RD1160TC-B	White	5000	≥80	≤5	≥115	490	82	24	250	1000	6	24
RD1160TC-B	White	6500	≥80	≤5	≥115	455	76	24	250	1000	6	24
RD11C0TC-B	White	1800	≥80	≤5	≥115	530	62	24	360	1500	8.6	36
RD11C0TC-B	White	2200	≥80	≤5	≥115	678	79	24	360	1500	8.6	36
RD11C0TC-B	White	2400	≥80	≤5	≥115	703	82	24	360	1500	8.6	36
RD11C0TC-B	White	2700	≥80	≤5	≥115	715	83	24	360	1500	8.6	36
RD11C0TC-B	White	3000	≥80	≤5	≥115	723	84	24	360	1500	8.6	36
RD11C0TC-B	White	4000	≥80	≤5	≥115	737	86	24	360	1500	8.6	36
RD11C0TC-B	White	5000	≥80	≤5	≥115	721	84	24	360	1500	8.6	36
RD11C0TC-B	White	6500	≥80	≤5	≥115	667	78	24	360	1500	8.6	36
RD1360TA-A	White	1800	≥80	≤5	≥115	655	56	12	1000	3830	12	46
RD1360TA-A	White	2200	≥80	≤5	≥115	836	70	12	1000	3830	12	46
RD1360TA-A	White	2400	≥80	≤5	≥115	871	73	12	1000	3830	12	46
RD1360TA-A	White	2700	≥80	≤5	≥115	882	74	12	1000	3830	12	46
RD1360TA-A	White	3000	≥80	≤5	≥115	892	74	12	1000	3830	12	46
RD1360TA-A	White	4000	≥80	≤5	≥115	910	76	12	1000	3830	12	46
RD1360TA-A	White	5000	≥80	≤5	≥115	890	74	12	1000	3830	12	46
RD1360TA-A	White	6500	≥80	≤5	≥115	825	69	12	1000	3830	12	46
RD1360TC-A	White	1800	≥80	≤5	≥115	655	56	24	500	2000	12	48
RD1360TC-A	White	2200	≥80	≤5	≥115	836	70	24	500	2000	12	48
RD1360TC-A	White	2400	≥80	≤5	≥115	871	73	24	500	2000	12	48
RD1360TC-A	White	2700	≥80	≤5	≥115	882	74	24	500	2000	12	48
RD1360TC-A	White	3000	≥80	≤5	≥115	892	74	24	500	2000	12	48
RD1360TC-A	White	4000	≥80	≤5	≥115	910	76	24	500	2000	12	48
RD1360TC-A	White	5000	≥80	≤5	≥115	890	74	24	500	2000	12	48
RD1360TC-A	White	6500	≥80	≤5	≥115	825	69	24	500	2000	12	48

Others:

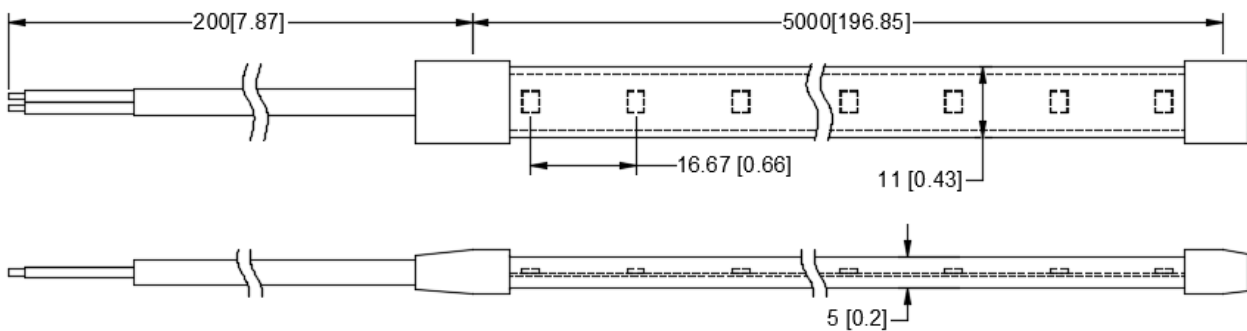
P/N	IP Grade	Operating Temp		Storage Temp		Standard length		Max. cascading length		LED Qty (pcs)	Weight	
		(°C)	(°F)	(°C)	(°F)	(m)	(inch)	(m)	(inch)		(g/m)	(lb/m)
RD1160TA-B	IP65	-25~ +60	-13~ +140	-25~ +70	-13~ +158	5	196.8	5	196.8	60	/	/
RD1160TC-B	IP65	-25~ +60	-13~ +140	-25~ +70	-13~ +158	5	196.8	5	196.8	60	/	/
RD11C0TC-B	IP65	-25~ +60	-13~ +140	-25~ +70	-13~ +158	5	196.8	5	196.8	120	/	/
RD1360TA-A	IP65	-25~ +60	-13~ +140	-25~ +70	-13~ +158	5	196.8	5	196.8	60	/	/
RD1360TC-A	IP65	-25~ +60	-13~ +140	-25~ +70	-13~ +158	5	196.8	5	196.8	60	/	/

Notes:

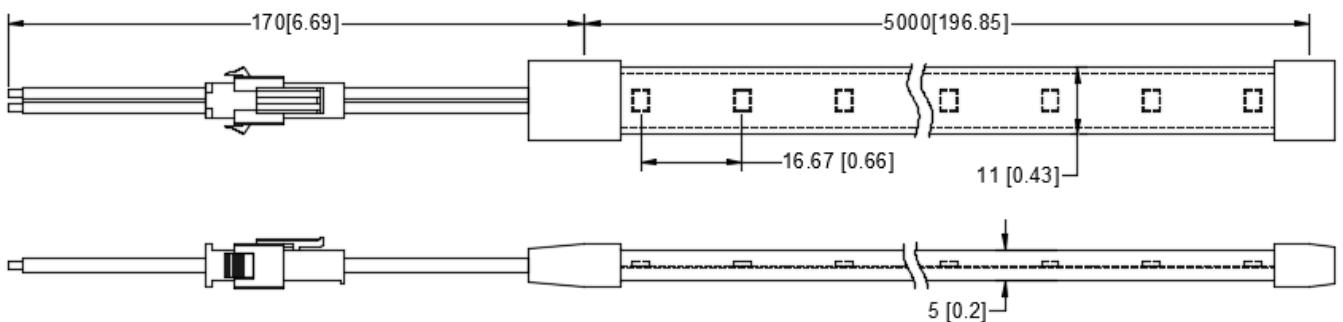
- (1) Testing environment temperature: 25±2°C [77±3.6°F];
- (2) The above data each single product could differ from the typical values. The data subject to change without prior notice;
- (3)Above CCT is derived from bare LED, which might be changed slightly due to refraction of silica gel tube, thus for final CCT please refer to actual samples;
- (4)The above "--" means the parameters are not required temporarily.

Profile Drawings:

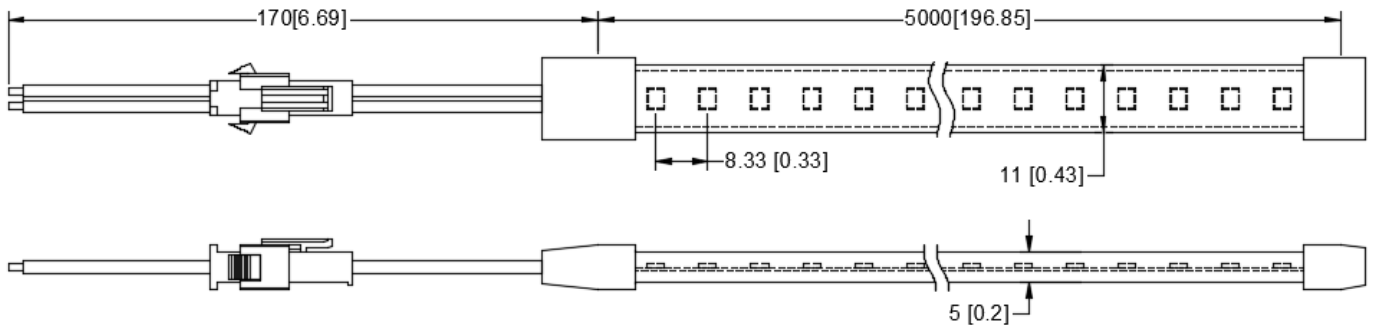
Unit: mm[inch]



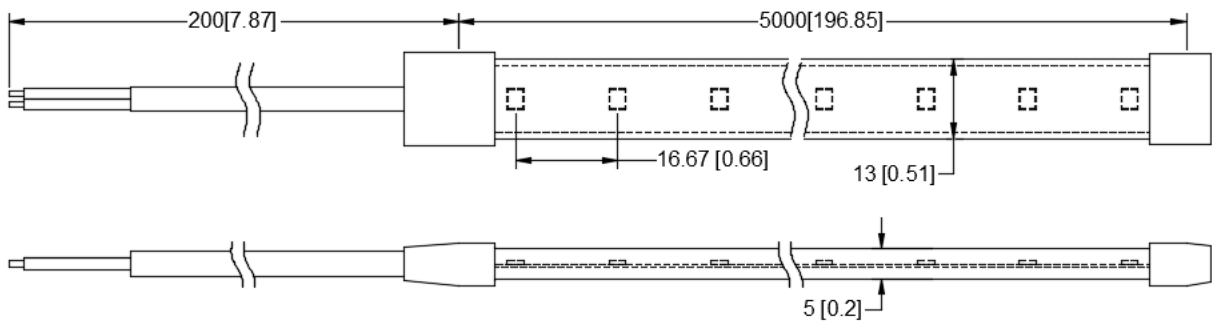
RD1160TA-B



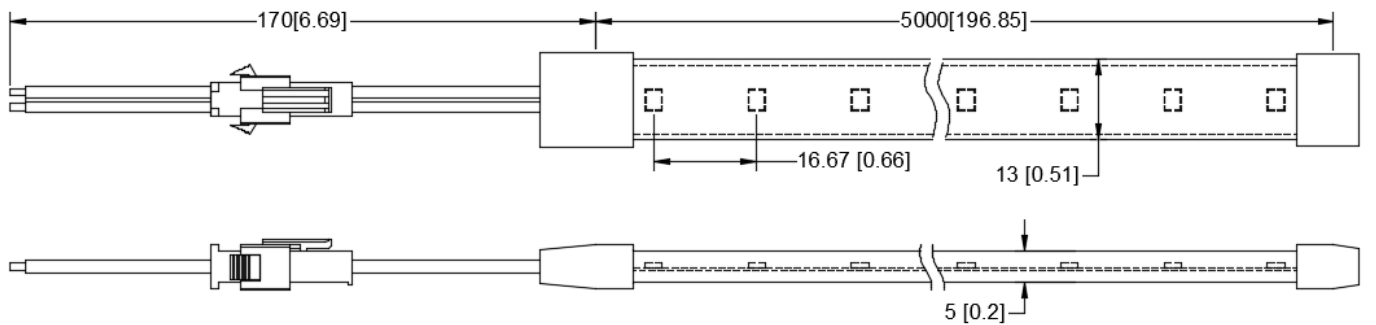
RD1160TC-B



RD11C0TC-B

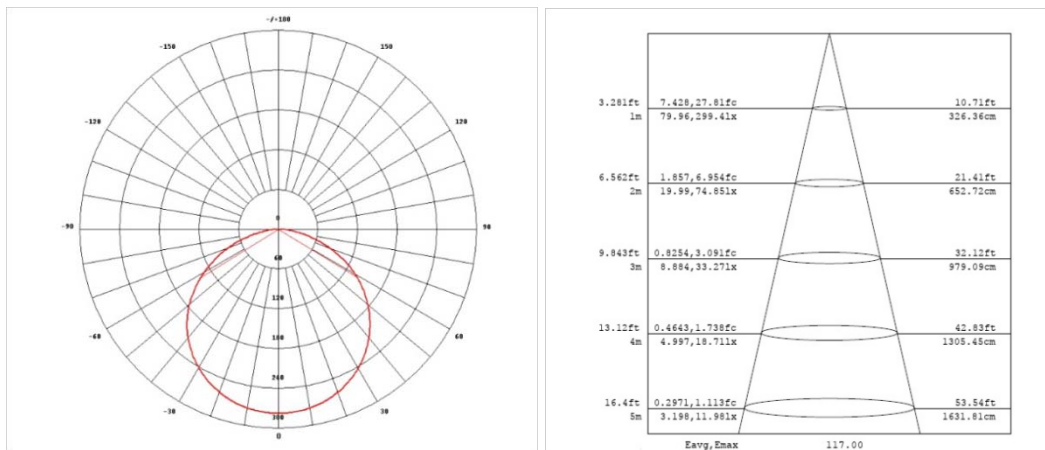


RD1360TA-A



RD1360TC-A

Light Distribution/Iso-illuminance Diagram:

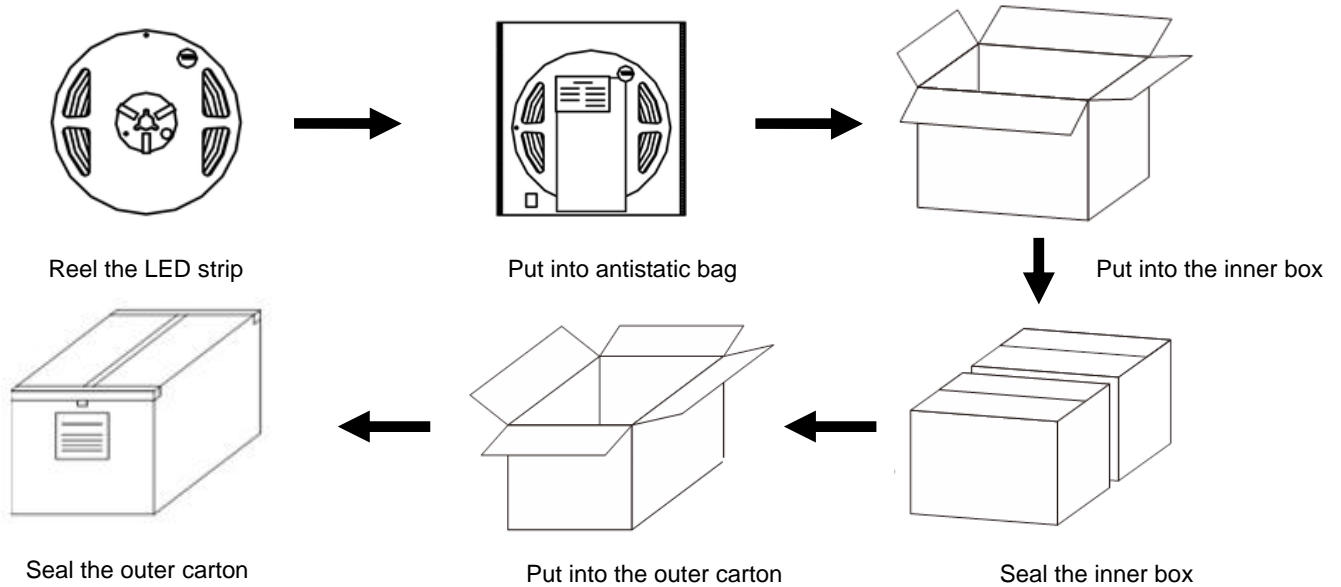


Packaging Information :

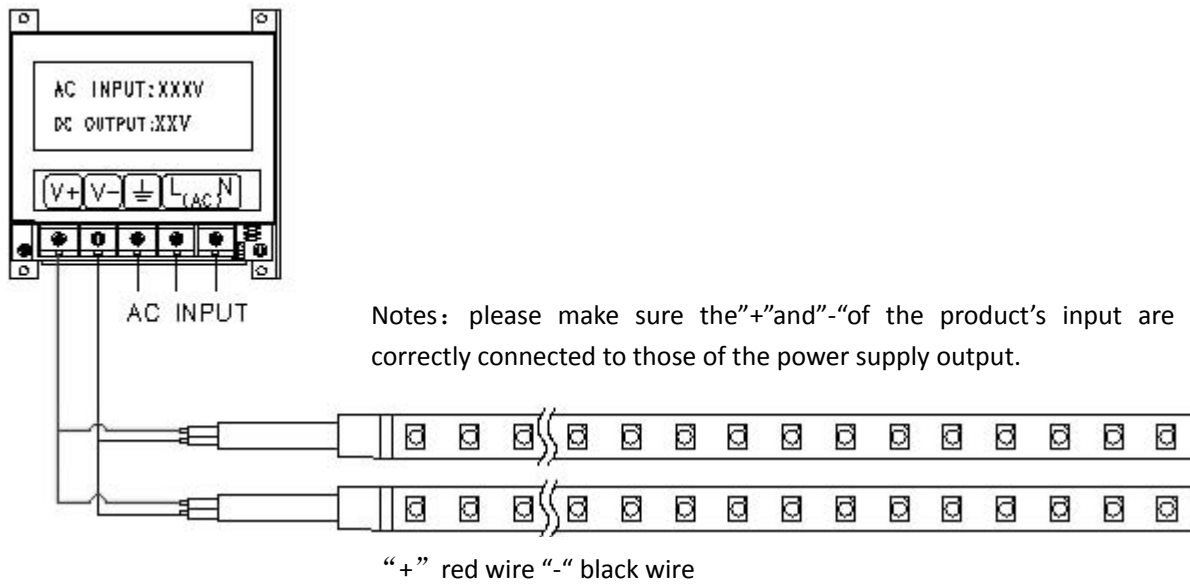
P/N	Qty (m/reel)	Qty (m/carton)	Total Qty (m)	Total weight		Outer carton size					
						length		width		height	
				(kg)	(lb)	(mm)	(inch)	(mm)	(inch)	(mm)	(inch)
RD1160TA-B	5	75	150	7.6	16.72	458	18.03	256	10.07	268	10.55
RD1160TC-B	5	75	150	7.6	16.72	458	18.03	256	10.07	268	10.55
RD11C0TC-B	5	75	150	7.6	16.72	458	18.03	256	10.07	268	10.55
RD1360TA-A	5	60	120	7.9	17.38	458	18.03	256	10.07	268	10.55
RD1360TC-A	5	60	120	7.9	17.38	458	18.03	256	10.07	268	10.55

Notes: Above qty and weight of packing is only for the packing shown in the picture, which might be different from other packing modes, thus for actual qty and weight please refer to actual samples.

Packaging Diagram :



Connection Instruction :



Parts & Tools:

◎ **Product Spare Parts**

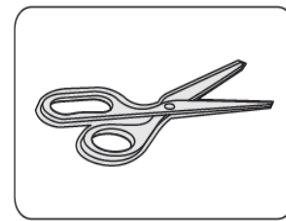


LED Strip

◎ **Self-provided Tools**

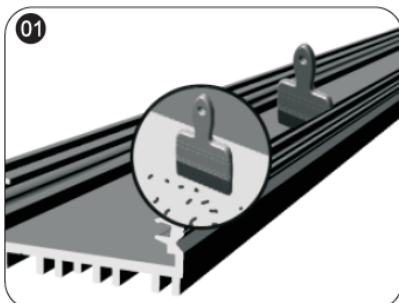


Electrical Drill & Drilling bit

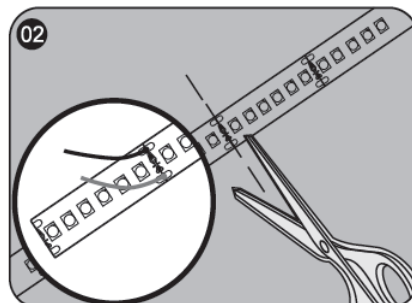


Scissors

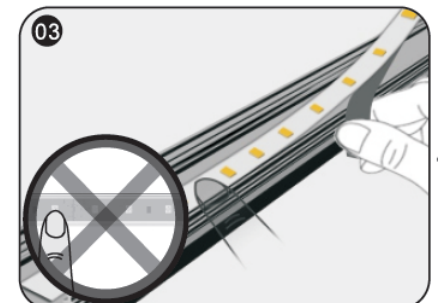
Installation Steps & Cautions:



◎ Make sure the mounting surface is clean before installation;



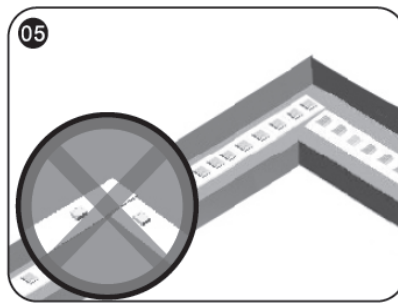
◎ Calculate the needed length and cut off the extra length along cutting mark if necessary; if need to add wires, please weld them at the next location with printed mark.



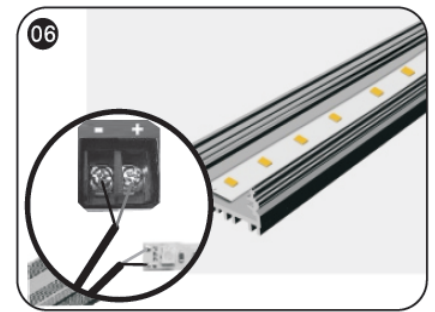
◎ While sticking strips, peel off the release paper of the tape step by step. Don't peel off all release paper at a time to avoid getting your strip in a mess.
△Notes: No pressing the bead!



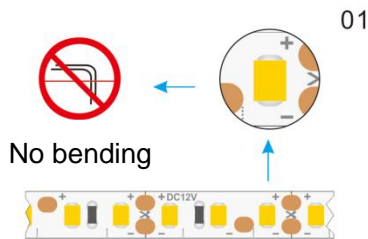
04
 ○ Stick Mylar tape to isolate the cutting position from the bottom of profile inner slot to avoid short-circuit;



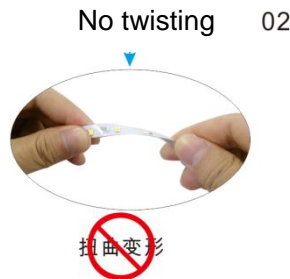
05
 ○ The installation at the corner is shown as the above figure.
 △Notes: No bending it into right angle; No twisting it to stick on the mounting surface.



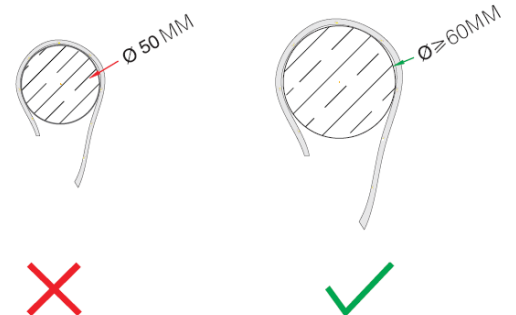
06
 ○ Connect strip wires to the output terminal of power supply, and dispose with waterproof, insulation, short-circuit and anti-corrosion protection at both the wire joints and the cut section of your strip (if any)



01
 ○ No bending the strip at the position of LED



02
 ○ No twisting the strip



No winding an object with a diameter <5cm

Troubleshooting:

Malfunctions	Possible Causes	Solutions
All LEDs don't work	1. The power supply did not connect to power grid.	Power on
	2. No electricity due to short-circuit of external power supply.	Remove the malfunction caused by short-circuit, power on again.
	3. The wires of strips connect to power supply output reversely.	Check the connecting and ensure the wires are connected correctly.
Part of LEDs don't work	1. Part of power supplies do not have output.	Check the power supply system.
	2. Part of wires of strips have malfunction.	
	3. Particular modules connected reversely.	Correct connection
Brightness of LEDs is weak or uneven	1. Overloaded power supply;	Replace it with higher power supply
	2. The power loss of power circuit is huge or the power loss of each circuit existing big difference.	Ensure working voltage of strips is within $\pm 5\%$ V of rated voltage. (1. Shorten the length of wires between the first strip and power supply or replaced with wires with bigger diameter; 2. Ensure the cascading qty of string is less than or equal to the allowed maximum cascading qty, and each strip

		cascading qty is well-balanced.)
	3. Exceed in qty of strips in series	Lessen the cascading qty for strip and ensure the qty for each electrical circuit is within the maximum cascading qty.
LEDs are blinking	1. Poor contacted in the joints.	Find out and tackle malfunction immediately.
	2. Failures in power supply.	Replace power supply.

Declaration:

- ⊙ If the external flexible cable of light box is damaged, please replace it by its manufacturer or its service agent or qualified person to avoid a hazard.
- ⊙ The specific installation and cautions please refer to the user manual.
- ⊙ The given data in this specification is based on our standard product. There may be existed slight difference compared with actual products.
- ⊙ All Illustrations in this specification are for reference only.
- ⊙ This product is subject to change or modify without prior notice.
- ⊙ RISHANG OPTOELECTRONICS CO., LTD. reserves the right of final explanation for this specification.

<End>

Rishang Optoelectronics Co., Ltd. (stock code: 002654)

Add: Block 2, Hongfa jiateli High-Tech. Park Tangtou Ave., Shiyan, Bao'an Shenzhen
 Guang Dong, 518108, China
 Tel: +86-755-33258896 E-mail: info@ledlamps.com.cn
 Website: www.ledlamps.com.cn

Website



Official Account

