

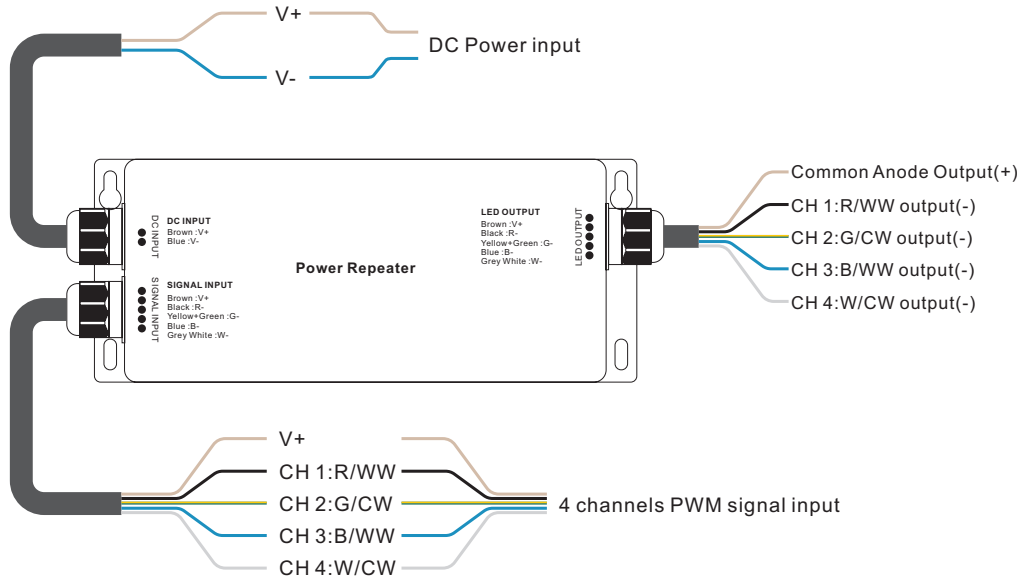
Power Repeater / Amplifier

09.3001W.04745



Important: Read All Instructions Prior to Installation

Function introduction



Product Data

No.	Input Voltage	Output Current	Output Power	Remarks	Size(LxWxH)
1	12-36VDC	4x5A	4x(60-180)W	Constant voltage	180.5x73.6x38mm
2	12-36VDC	4x350mA	4x(4.2-12.6)W	Constant current	180.5x73.6x38mm
3	12-36VDC	4x700mA	4x(8.4-25.2)W	Constant current	180.5x73.6x38mm

- Repeater dimming signal
- One channel/three channel/four channel optional
- Constant voltage/constant current
- Power repeater in series to expand output unlimitedly

Safety & Warnings

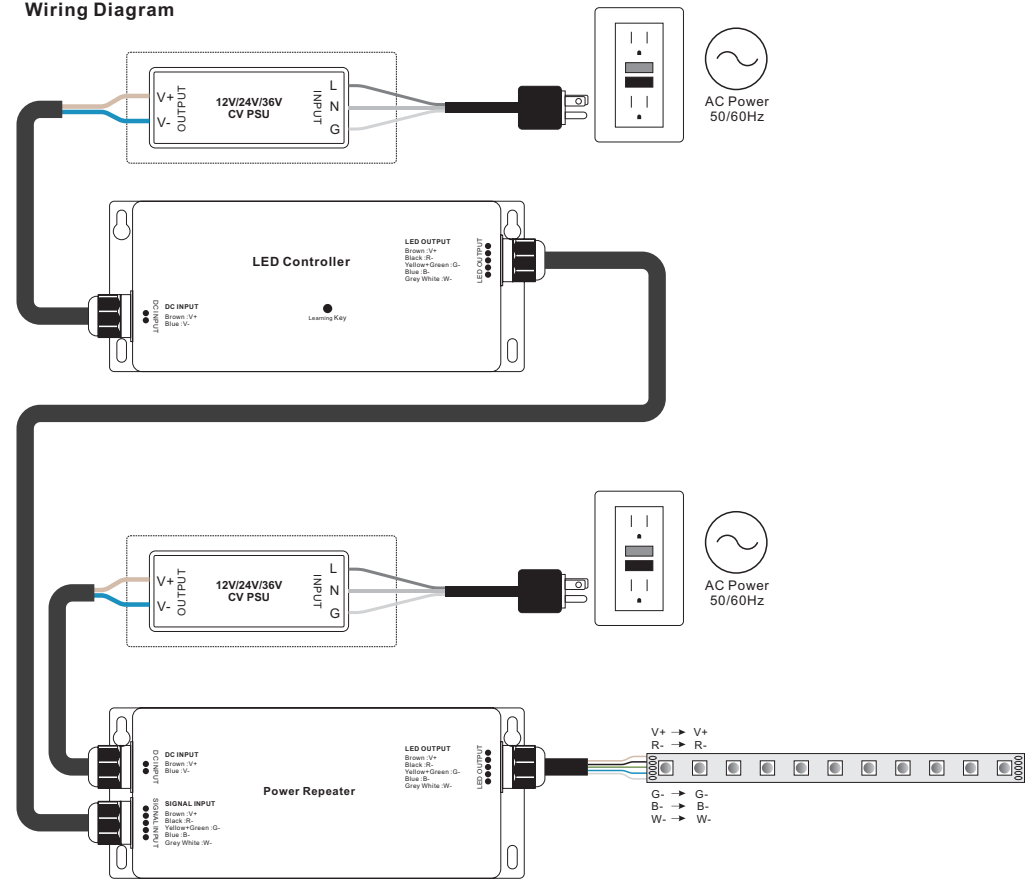
- DO NOT install with power applied to device.
- This device is IP67 rating and protected against damp environment.

Operation

LED power repeater is suitable for all of our single color & RGB controllers to expand power output, it supports PWM control and can connect one to three times more LEDs by adding one more power repeater, and unlimited power repeaters can be connected together theoretically.

The constant voltage power repeater and constant current power repeaters can be connected together, which is convenient for controlling LEDs with different voltage and power.

Wiring Diagram



Product Dimension

