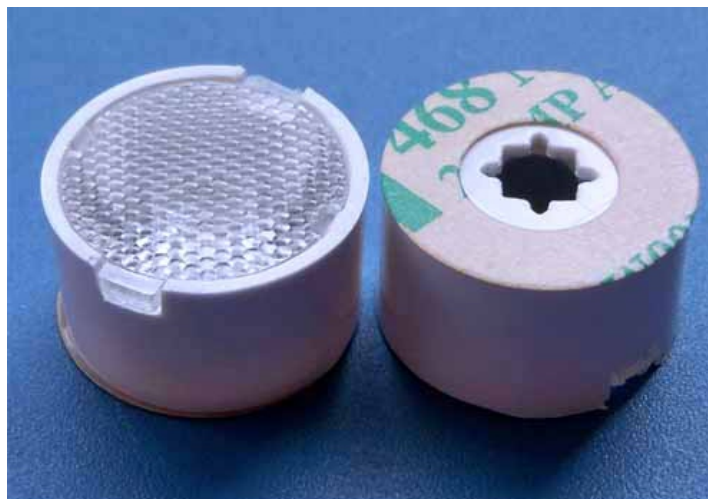


**\* PRODUCT DATASHEET**

- \* Model:HX-15PX-40L
- \* Dimensions:  
 Lens: N/A  
 Cone holder: N/A  
 Cylinder holder: Φ15.30mm H9.20mm
- \* Materials:  
 Lens: Optical Grade PMMA  
 Holder: PC
- \* Assembly Dimensions:  
 Lens with cone holder: N/A  
 Lens with cylinder holder: Φ15.30mm H9.20mm
- \* Surface Treatment: Beads surface
- \* Beam Angle: 40deg
- \* For Led:  
 CREE X-PC/E/G/G2/TE/BD  
 Seoul Acriche Z5 Federal 3535  
 Nichia 119A LG/Samsung 3535  
 OSRAM OSOLON SSL/Square
- \* Certification: SGS RoHs



- \*Features:  
 High efficiency  
 Available in 1 beam Patterns  
 Optimized for uniform effects  
 Lens with holder
- \*Typical applications:  
 Stage lighting  
 Street lights  
 Decorative light  
 Architectural lighting  
 Down light  
 Flashlight

**\* Brief description :**

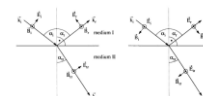
\*The OPTIC-FOV (Shenzhen Hongxuan Optoelectronic Technology Co., Ltd) lens offers low-profile lenses specifically designed for the Luxeon® LEDs, Edison® LEDs ,Bridgelux® LEDs CREE® LEDs or Seoul® LEDs.

\*A software-optimized aspheric profile enables the generation of several different beam output patterns:narrow,medium,elliptical and wides beams.

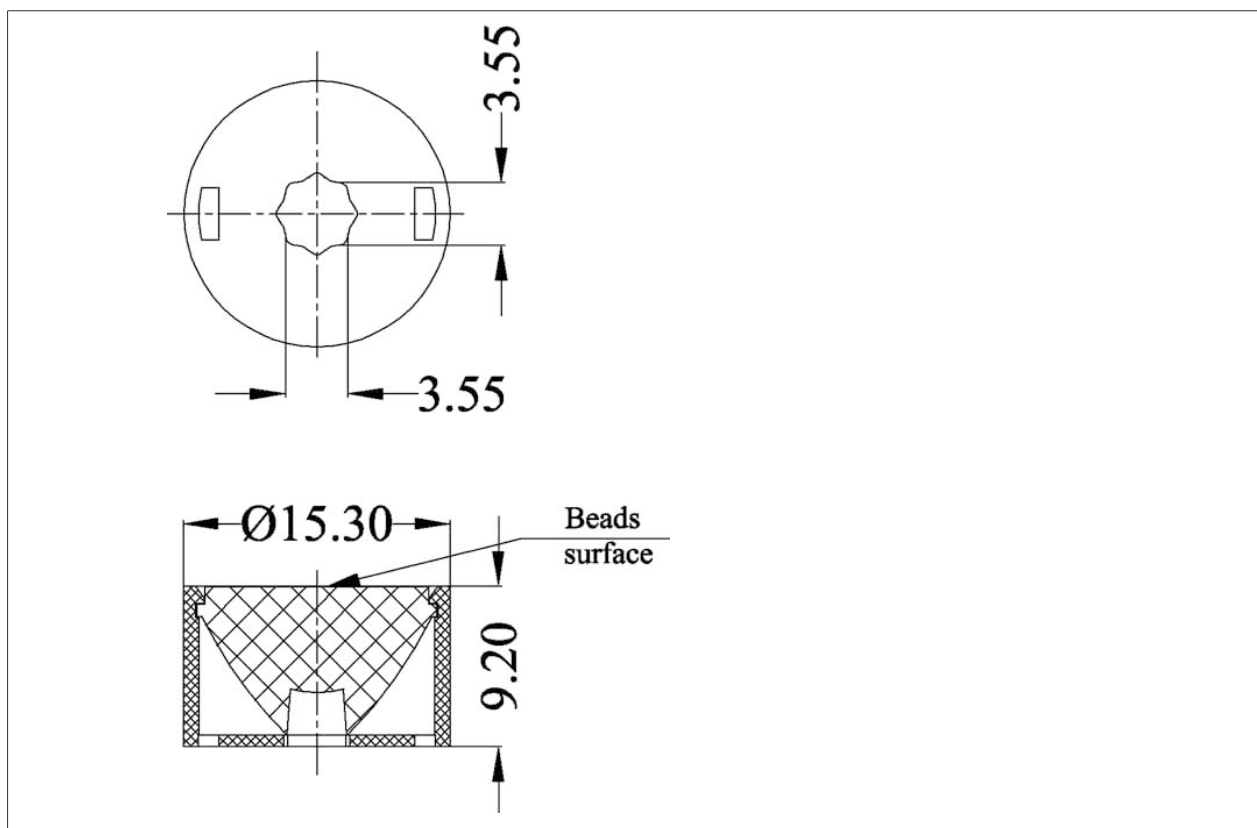
The high collection efficiency reaches 85% of the total flux emitted by the LEDs.

\*Lens holders are available in white or black,and provide the proper alignment the between the LEDs and the lenses,set correct distance between the lens and LED.

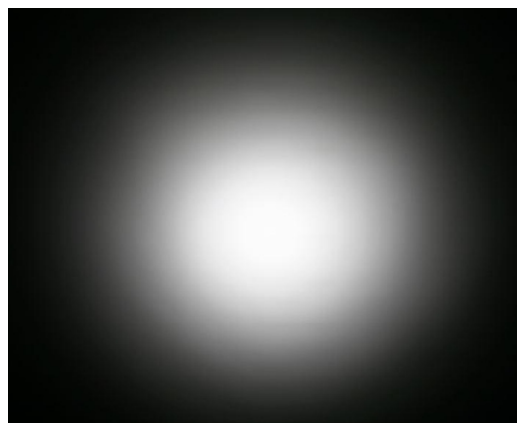
\*The lens holder can be glued to the PCB to provide a secure assembly.



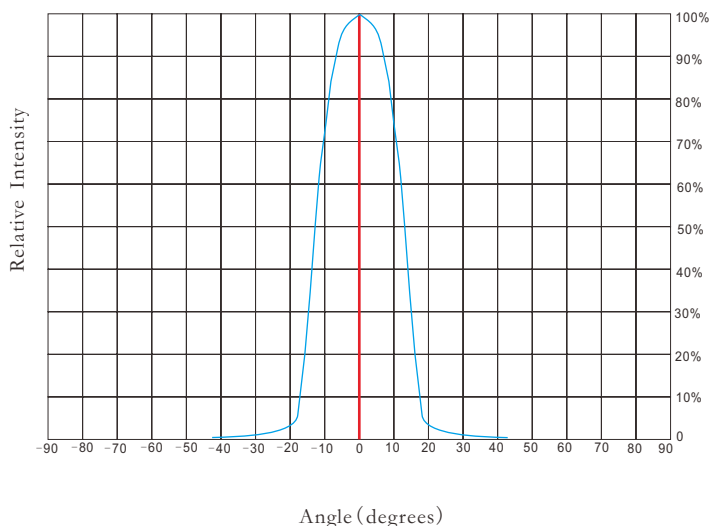
**\* Holder and Lens dimensions of the 2D views**



**\* Beam Pattern**



**\* Angular Intensity Distribution**



**\* Typical illuminance values**

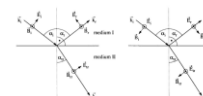
Normal Distance (m)	1.5	2	3	9
Illuminance (lux <sub>1W led</sub> )	N/A	N/A	N/A	N/A
Illuminance (lux <sub>3W led</sub> )	N/A	N/A	N/A	N/A

Notes:

\*Cree flux characteristics at IF=350mA and TJ=85°C: for 1W Q5 (Part Name: XQEAWT-00-0000-000000LDE4/Neutral White/107lm/Lambertian LED)

\*Performance values given are typical values and will vary dependant on LED binning, colour and drive profile

\*Typical illuminance values is reference data (Receiving surface of the average illuminance values) .



**\* LED Lens materials feature table**

Items	Features	Experimental methods	Units	PMMA
Physical properties	Density	ASTM D792	g/cm	1.19
	Absorbtion	ASTM D570	%	2
Optical properties	Refraction index	ASTM D542		1.49
	Transmittance	ASTM D1003	%	95
	ABBE	ASTM D542		58
	Birefringence		nm	<20
Thermodynamical properties	Glass transition point	DSC	°C	150
	Heat distortion	ASTM D648 (1.85kg/cm)	°C	120
Mechanical properties	Tensile strength	ASTM D638	MPA	730
	Tensile elongation	ASTM D638	%	10
	Flexural modulus	ASTM D790	10MPA	3

**\* Notes:**

- 1.Engineering drawings and all dimensions are in millimeters,holder and lens tolerance,respectively  $\pm 0.10$  and  $\pm 0.05$ .
- 2.Product operating temperature range  $-40\text{ }^{\circ}\text{C} \sim +70\text{ }^{\circ}\text{C}$ ( upper limit  $+80\text{ }^{\circ}\text{C}$ ).
- 3.Product storage temperature range  $-40\text{ }^{\circ}\text{C} \sim +70\text{ }^{\circ}\text{C}$ (upper limit  $+80\text{ }^{\circ}\text{C}$ ).
- 4.Average transmittance in visible specturm  $400\text{nm} \sim 700\text{nm} > 92\%$ .
- 5.If necessary,clean lenses with mild soap water and soft cloth.
- 6.Never use any commercial cleaning solvents on lenses,like alcohol.
- 7.Please handle and install lenses with wearing gloves,skin oils may damage lens or its optical characteristic.

