

The power behind your lights



Model: JLV-500M-12      Size: 216x118x51mm  
 JLV-500M-24



### Brief Information

# 500W

## Rainproof Power Supply (C.V.)

Model JLV-500M-12 / JLV-500M-24

Input 200-250V AC

Output 12VDC 41.7A 500W / 24VDC 20.8A 500W

### Product Features

- Rainproof, big wattage for outdoor use
- High transfer efficiency
- Semi-Potting design, dust-proof
- Stable constant voltage output
- 100% full loading, 100% burn-in tested
- Overload/short circuit protection

## MAIN ELECTRICAL DATA

### AC Input

Input Voltage	200-250V
Input Frequency	50/60Hz
Efficiency (Typ.)	12V: 85%
	24V: 89%
Input Current	230V: 4.2A max.
Inrush Current	40A
Leakage Current	3mA/230VAC

### DC Output

Output Voltage	12V	24V
Rated Current	41.7A	20.8A
Rated Power	500W	500W
Ripple & Noise (Max.)	<200mVp-p	<200mVp-p
Setup, Rise Time	1500ms/230VAC	1500ms/230VAC
Line Regulation	1%	1%
Load Regulation	1%	1%

## Service Environment

Working Temp.	-25°C~50°C *
Working Humidity	20~99%RH
Storage Temp.	-40°C~70°C
Storage Humidity	10~95%RH

\*Refer to derating curve on page 2.

## Protection

Overload	Yes, Cut-off mode Output shuts down if over-loaded
Short Circuit	Yes, output shut down, recovers automatically after fault condition is removed

## Safety

Safety Standard	EN 61347-2-13
Withstand Voltage	I/P-O/P: 1500VAC/1min/<5mA
Isolation Resistance	I/P-O/P: >100M Ohms / 500VDC /25°C / 70%RH

## Packaging Information

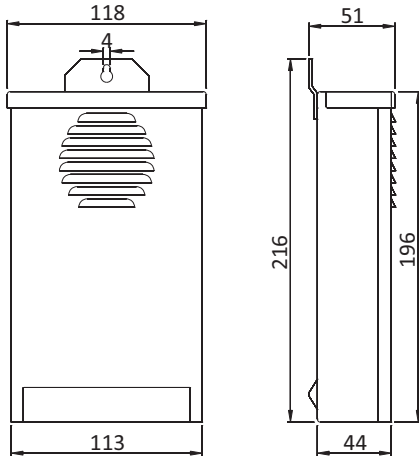
Product Dimension	216*118*51mm
Products Net Weight	880g
PCS/Carton(QTY)	20PCS
Master Carton Size	48*31*27cm
G. Weight/ Carton	18.5KG

### Installation Tips:

- Please identify the power supply's input and output before installation.
- Ensure correct output + & - wire connection.  
Power on after wire connection is done.
- To avoid voltage drop and loading capacity wasting on the output extension wire, please install the power supply to the loading as near as possible, if must use long extension wires, thicker wires and less loading wattage is required.
- The power supply to be installed at good ventilation and cooling environment.

*The power behind your lights*

## Physical Drawing



### Brief Information

# 500W

**Rainproof Power Supply (C.V.)**

Model JLV-500M-12 / JLV-500M-24

Input 200-250V AC

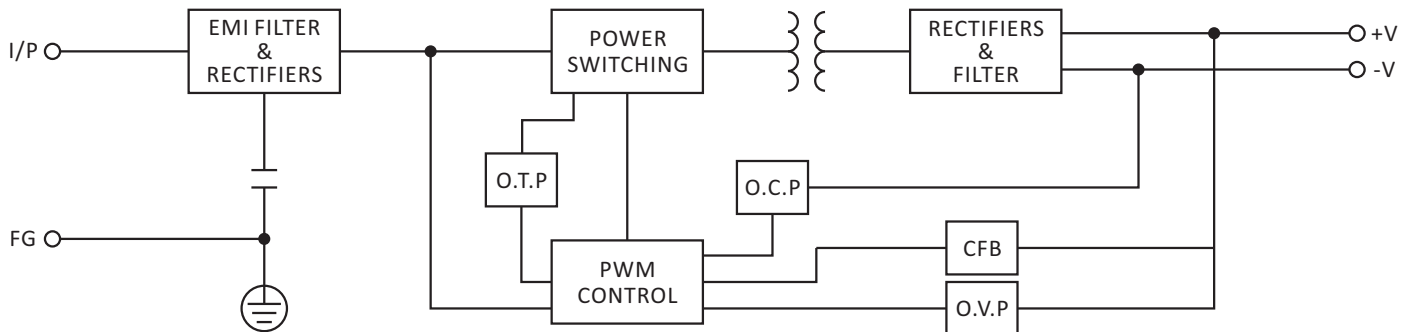
Output 12VDC 41.7A 500W / 24VDC 20.8A 500W

Input & Output:

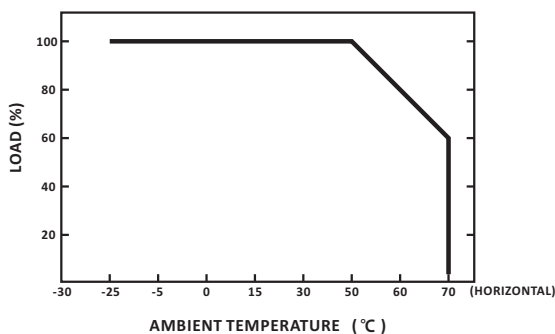
9500-9P Screw Terminals With Cover  
inflamming retarding

Housing: Aluminium

## Block Diagram



## Derating Curve



## Static Characteristics

