

RM0217SP-HHAK Specification

Prepared	Checked	Approved

Acceptance	Confirm	Approve

- UL
- CE
- RoHS
- COB
- LED
Light strip
- DC
24V
- IP
20
- 3
Years
warranty

Product mode: RM0217SP-HHAK

5000*12mm , 784 COB per meter, open FPCB series, constant voltage, 24V,RGBW, flexible COB strip

Product pictures:



Product features :

- COB production technology with higher density ;
- Even linear lighting without lighting spot ;
- High brightness;
- High temperature resistant, long service life;
- UL CE RoHS complies

Scope of application :

- This product is suitable for hotels, shopping malls, homes, cabinets, display stands, etc., for indirect lighting, dark slot lighting, outline sketching, decorative lighting and other purposes.

Product quality assurance :

- Warranty 3 years or 13000 hours.

Characteristics :

Part code	Emitting color	CCT(K) WL(nm)	CRI	SDCM	Beam angle	Luminous flux (lm)	Luminous efficiency (lm/W)	Voltage (VDC)	Current (mA)	power (W)
									1m	1m
RM0217SP-HHAK	Red	620-630	/	/	≥135	120	30	24	167	4
	Green	520-525	/	/	≥135	360	90	24	167	4
	Blue	455-460	/	/	≥135	66	16.5	24	167	4
	White	4000K	≥90	/	≥135	300	75	24	167	4

Other parameters are :

Part Code	IP grade	Operating Ambient Temperature (°C)	The storage environment temperature (°C)	Standard length (m)	Maximum Cascade Length (m)	Qty Of chip (pcs/m)	Light Strip weight (g/m)
RM0217SP-HHAK	IP20	-25 ~ +60	-25 ~ +70	5	5	784	13

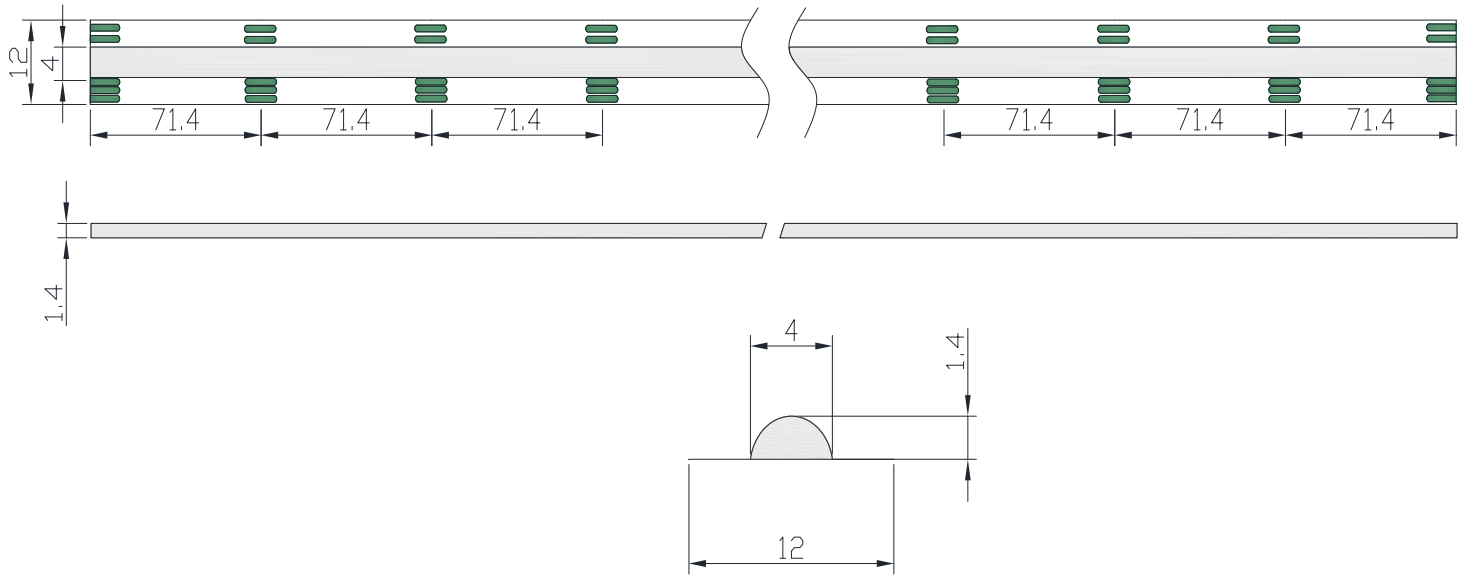
Notes:

- (1) Testing environment temperature: 25±2°C [77±3.6]°F
- (2) The actual data of each single product may differ from above typical data which are subject to change without prior notice;
- (3) Bending diameter ≥50mm, not suitable for channel letter.
- (4) The above "--" means the parameters are not required temporarily.

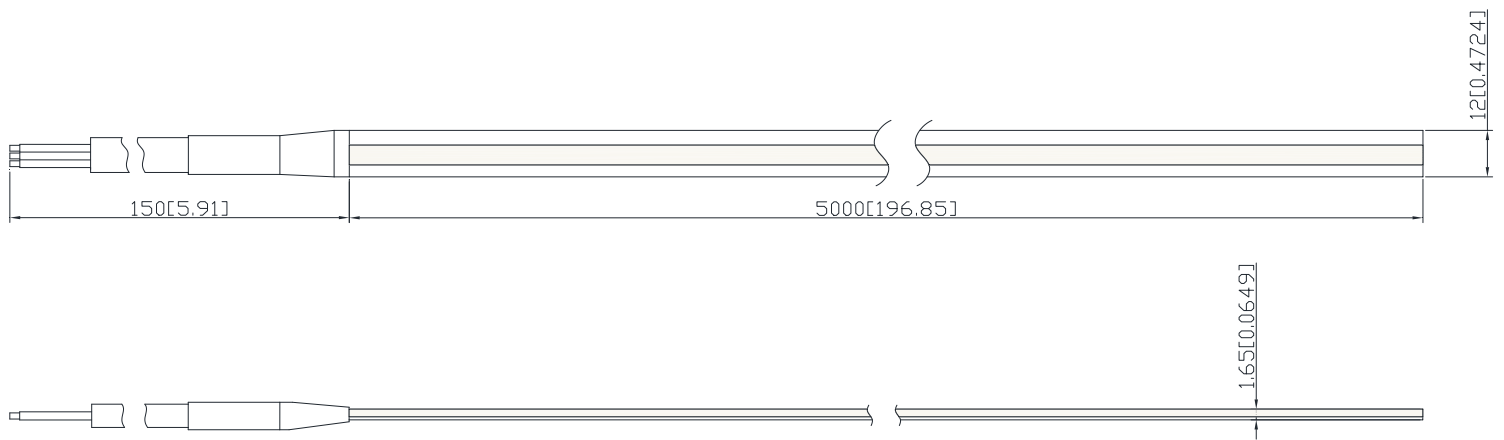
Shape dimension figure:

unit : mm[inch]

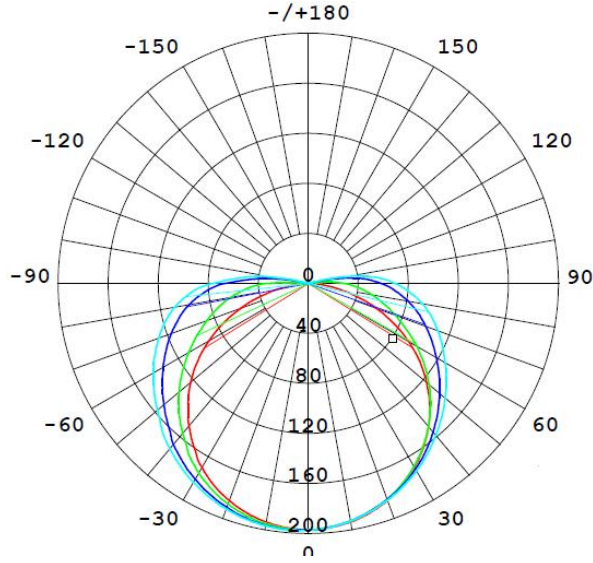
The drawing of 0.5meter strip



The drawing of 5meter strip



Lighting Distribution Diagram:



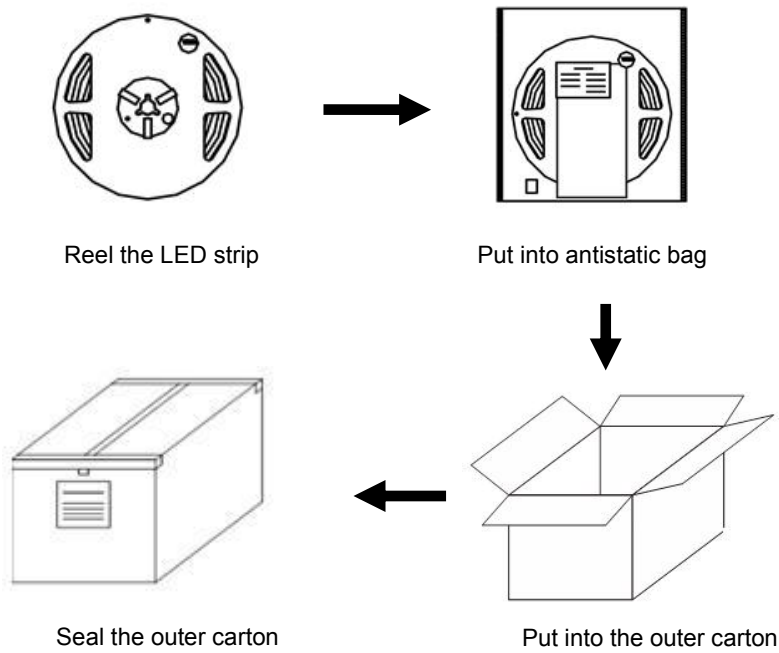
The average beam Angle(50%):138.0°

Packaging Information:

P/N	Qty (m/reel)	Qty (m/carton)	Total Qty (m)	Total weight		Outer carton size					
				(kg)	(lb)	length		width		height	
						(mm)	(inch)	(mm)	(inch)	(mm)	(inch)
RM0217SP-HHAK	5	200	200	4.4	9.7	405	15.9	256	10.1	238	9.4

Notes: Above qty and weight of packing is only for the packing shown in the picture, which might be different from other packing modes, thus for actual qty and weight please refer to actual samples.

Packaging Diagram:



Product parts and tools required:

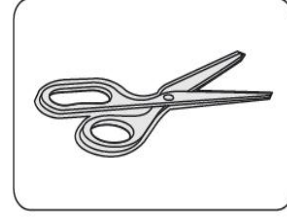
- Product components
- Bring your own tools and objects



COB strip

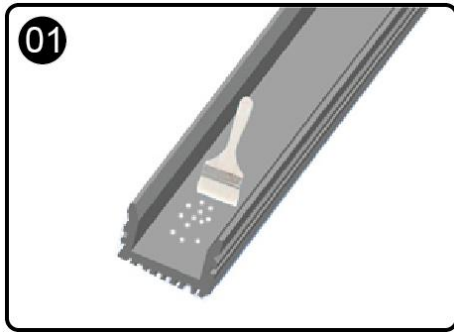


Tools and electric drill



Scissors

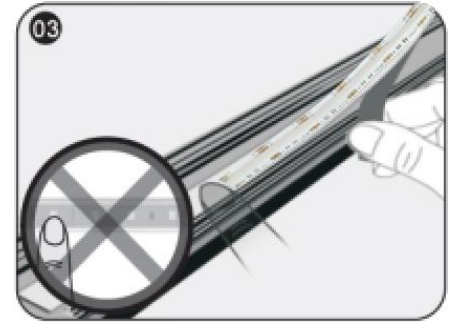
Installation steps and matters needing attention:



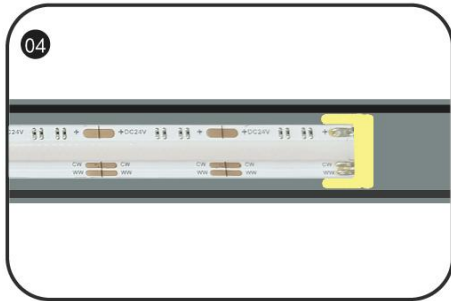
- To install on the surface of the debris to clean up, to ensure that the surface clean



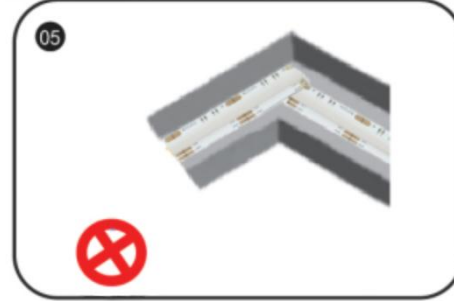
- Measure the length of the strips and cut off the length you need at the cutting marking.



- When installing the strip, please attach the strip as soon as removing the paper. Please do not removing all the paper before attaching the strip.



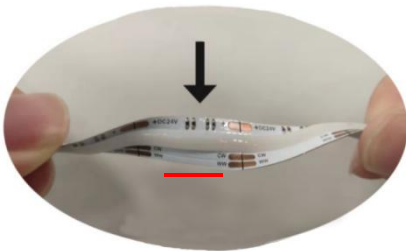
- Stick Mylar tape to isolate the cutting position from the bottom of profile inner slot to avoid short-circuit;



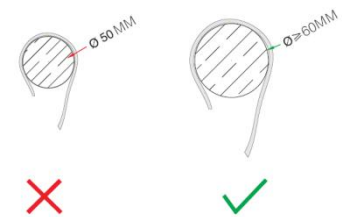
- The above marking should be shown at the installation corner
 △note: No bending the strip into a right angle ; No twisting it to stick on the mounting surface.



- Connect strip wires to the output terminal of power supply, and dispose with waterproof, insulation short-circuit and anti-corrosion protection at both the wire joints and the cut section of your strip (if any)



- No twisting strip like this



No winding an object with a diameter <5cm

Common faults and the method of screening products:

The fault phenomenon	Possible reasons for	The solution
All the light not bright	1. Mains no power supply	To connect to the mains correctly
	2. After the switch power supply output open circuit or short circuit power supply automatic protection	Troubleshooting and feed power again
	3. The polarity of power supply reverses	Check the wire connection status, ensure correct connection of polarity is correct.
Part of the strip is failed to work	1. Part of switch power supply is disconnected.	Check the power supply system, troubleshooting
	2. The circuit of part of the strip malfunctions	
	3. The polarity of strip reverses	Correct connection
LED brightness is different or not enough brightness LED	1. The power supply is overloaded	To use a power supply with higher power
	2. The power loss of power supply or other circuits is too much.	Ensure that the working voltage of the strip is within $\pm 5\%$ of rated voltage 1. Cut off the cable of power supply and strip or use wire with larger diameter. 2. Ensure every cascading should be within the permitted cascading and the length of every cascading is similar.
	3. The cascading is over the permitted cascading	.Ensure every cascading should be within the permitted cascading
The LED flashing LED	1. The connection is poor contact	Find the poor contact points and improve it.
	2. Failures in power supply.	Replace the switching power supply

Declaration:

- ⊙ If the external flexible cable of light box is damaged, please replace it by its manufacturer or its service agent or qualified person to avoid a hazard.
- ⊙ The specific installation and cautions please refer to the user manual.
- ⊙ The given data in this specification is based on our standard product. There may be existed slight difference compared with actual products.
- ⊙ All Illustrations in this specification are for reference only.
- ⊙ This product is subject to change or modify without prior notice
- ⊙ RISH HANG OPTO OELECTRON NICS CO., LT TD reserves the right of f final explanation for this s specification.

End

Rishang Optoelectronics Co.,Ltd (Ticker: 002654)

Add: 1st to 8th Floor, North Side, 701, Mason Building, No. 2519, Guangqiao Avenue,
Fenghuang Community, Fenghuang Street, Guangming District, Shenzhen
Guangdong Province, China
tel: +86-755-36988588 e-mail: info@ledlamps.com.cn
Web: www.ledlamps.com.cn

office website



Official Account

