

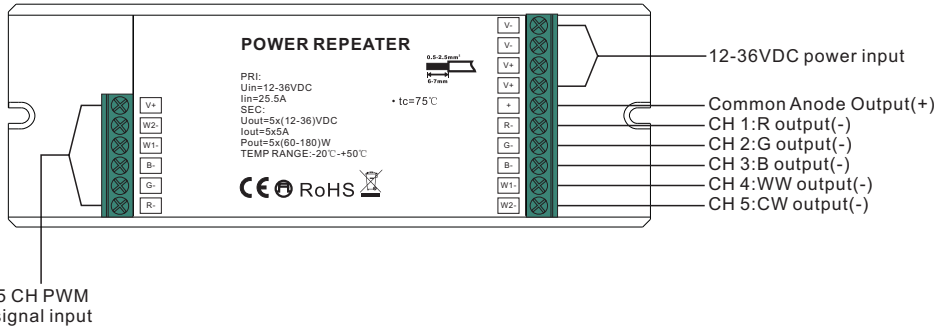
Power Repeater / Amplifier

70170010



Important: Read All Instructions Prior to Installation

Function introduction



Product Data

Input Voltage	Output Current	Output Power	Remarks	Size(LxWxH)
12-36VDC	5x5A	5x(60-180)W	Constant voltage	170x59x29mm

- Repeater dimming signal
- Five channels PWM signal input, five channels LED output, max. up to 5A per channel
- Power repeater in series to expand output unlimitedly
- To control RGB+CCT LED lighting
- Waterproof grade: IP20

Safety & Warnings

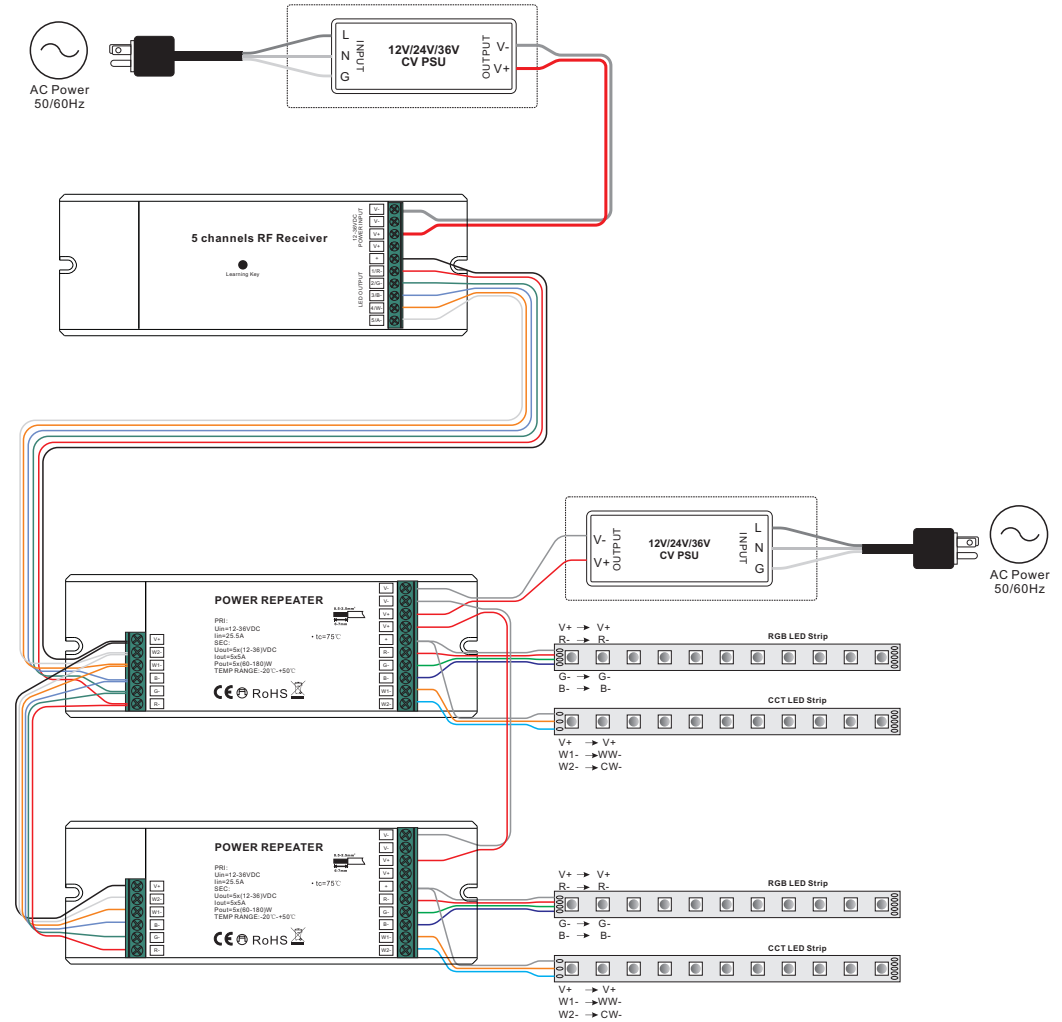
- DO NOT install with power applied to device.
- DO NOT expose the device to moisture.

Operation

LED power repeater is suitable for all of our single color, CCT, RGB and RGB+CCT controllers to expand power output, it supports PWM control and can connect one to three times more LEDs by adding one more power repeater, and unlimited power repeaters can be connected together theoretically.

The constant voltage power repeater and constant current power repeaters can be connected together, which is convenient for controlling LEDs with different voltage and power.

Wiring diagram



Product Dimension

