



Model: JDV-12060DR
JDV-24060DR

Dimension: 52x90x58mm

Brief Information

For Din-Rail
TS35X7.5/TS35X15

60W

Din-Rail Power Supply

Model JDV-12060DR / JDV-24060DR

Input 100-250V AC

Output 12VDC 5A 60W / 24VDC 2.5A 60W

Product Features

- High transfer efficiency
- Stable constant voltage output
- Withstand 300VAC surge input for 5s
- 100% full loading, 100% burn-in tested
- Overload/short circuit protection
- Low standby power consumption
- Low ripple & noise

MAIN ELECTRICAL DATA

AC Input

Input Voltage	100-250V
Input Frequency	50/60Hz
Efficiency (Typ.)	90%
Input Current	230V: 0.8A 120V: 1.2A
Inrush Current	60A@230V 30A@110V
Leakage Current	0.25mA/230VAC

DC Output

Output Voltage	12V	24V
Rated Current	5A	2.5A
Rated Power	60W	60W
Ripple & Noise (Max.)	<120mVp-p	<150mVp-p
Setup, Rise Time	1500ms/230VAC	1500ms/230VAC
Line Regulation	0.5%	0.5%
Load Regulation	1.5%	1.5%

Service Environment

Working Temp.	-30°C~65°C
Working Humidity	20~90%RH
Storage Temp.	-40°C~80°C
Storage Humidity	10~90%RH

Protection

Overload	Yes, hiccup mode
Short Circuit	Hiccup, continuous, self-recovery

Safety

Withstand Voltage	I/P-O/P: 4000VAC/1min/<5mA
Isolation Resistance	I/P-O/P: >100M Ohms / 500VDC /25°C / 70%RH

EN55032 CLASS B
EN55032 CLASS B
IEC/EN61000-3-2 CLASS A
IEC/EN61000-4-2 Contact ±4KV/Air ±8KV Perf. Criteria A
IEC/EN61000-4-3 10V/m Perf. Criteria A
IEC/EN61000-4-4 ±4KV Perf. Criteria B
IEC/EN61000-4-5 Line to line ±2KV Perf. Criteria A
IEC/EN61000-4-6 10Vr.m.s Perf. Criteria A
IEC/EN61000-4-11 100% dip 1 periods, 30% dip 25 periods,
100% interruptions 250 periods Perf. Criteria B

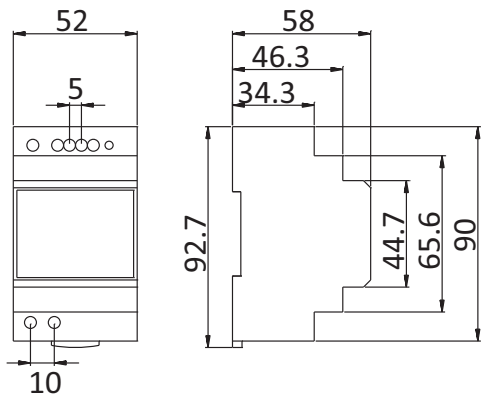
Product Dimension	52x90x58mm
Products Net Weight	175g

Installation Tips:

- Please identify the power supply's input and output before installation.
- Ensure correct output + & - wire connection.
Power on after wire connection is done.
- To avoid voltage drop and loading capacity wasting on the output extension wire, please install the power supply to the loading as near as possible, if must use long extension wires, thicker wires and less loading wattage is required.
- The power supply to be installed at good ventilation and cooling environment.

The power behind your lights

Physical Drawing



Brief Information

For Din-Rail
TS35X7.5/TS35X15

60W

Din-Rail Power Supply

Model JDV-12060DR / JDV-24060DR

Input 100-250V AC

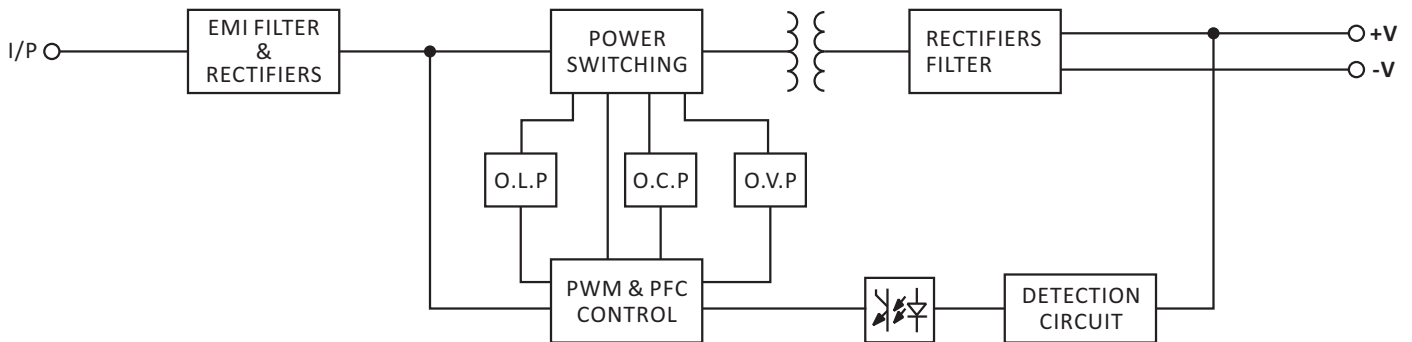
Output 12VDC 5A 60W / 24VDC 2.5A 60W

Case Material: Plastic, heat-resistant (UL94V-0)

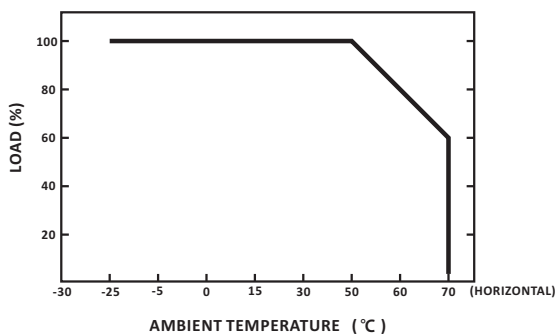
Color: Black

Cooling Method: Free air convection

Block Diagram



Derating Curve



Static Characteristics

