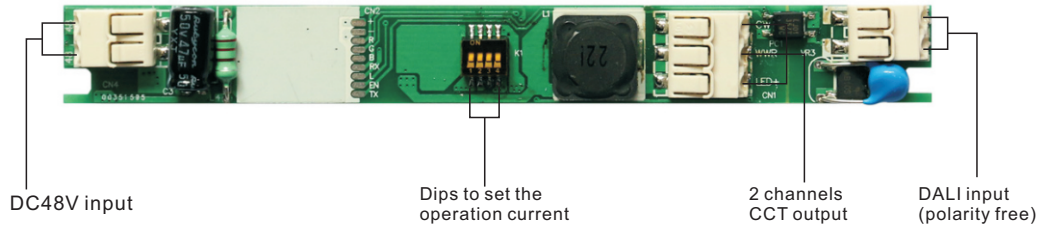


DALI TW LED Controller for Magnet Track Light



Important: Read All Instructions Prior to Installation

Function introduction



Product Data

Output	LED Channel	2							
	Selectable Current	100mA	150mA	200mA	250mA	300mA	350mA	400mA	
	DC Voltage Range	6-42V	6-42V	6-42V	6-42V	6-42V	6-42V	6-42V	
	Selectable Current	450mA	500mA	550mA	600mA	650mA	700mA		
	DC Voltage Range	6-42V	6-42V	6-42V	6-42V	6-42V	6-42V	6-42V	
	Rated Power	Max. 30W							
Input	Dimming Interface	DALI-2 (DT8, DALI consumption<2mA)							
	Voltage	48VDC±5% (Polarity Free)							
	Current	0.65A @ full load							
	Efficiency	95%							
	Standby Power	<0.5W							
Protection	Over Load	The load voltage is out of range, the current drops until the power is turned on again.							
	Non-load	Prevents damage to the load when it is powered on.							
	Short Circuit	Output close, auto recovery after fault removed							
	Anti-reverse	Prevent driver and load damage							
Environment	Working Temp.	-20°C ~ +45°C							
	Working Humidity	10% ~ 95% RH non-condensing							
	Storage Temp. & Humidity	-40°C ~ +80°C, 10% ~ 95% RH							
Others	Dimension	125*14.2*10mm (L*W*H)							

Dips to set the operation current



	1	2	3	4
100mA	○	○	○	○
150mA	○	○	○	●
200mA	○	○	●	●
250mA	○	○	●	●
300mA	○	●	○	○
350mA	○	●	○	●
400mA	○	●	●	○
450mA	○	●	●	●

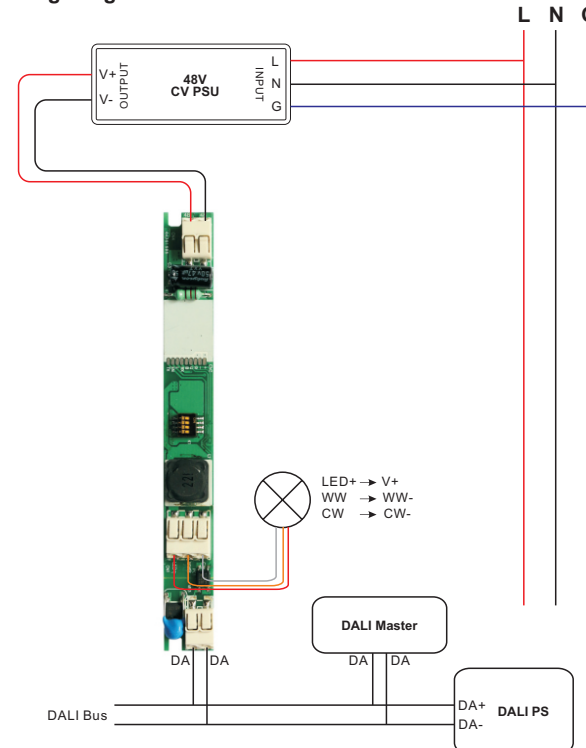
	1	2	3	4
500mA	●	○	○	○
550mA	●	○	○	●
600mA	●	○	○	○
650mA	●	○	○	●
700mA	●	○	○	○

- Super slim design DALI DT8 tunable white LED controller
- Special design for magnet track light and linear lighting
- Magnet absorption installation application, no high frequency interference sound
- DC48V input, max. output power 30W total
- 2 channels 100-700mA constant current output, dips to select multi operation current
- Deep and smooth dimming to 0.1%, flicker free
- In compliance with IEC 62386-101:2014, IEC 62386-102:2014, IEC 62386-207 Ed2, IEC 62386-209:2011
- Built-in DALI-2 interface, DALI DT8 device
- DALI DT8 device to control Warm White and Cool White output via a single DALI address
- Enables Dimming and Color Temperature Adjustment
- Color control as defined in the DALI specification for device type 8, Color Type Tc.
- Supports DT8 device commands, compatible with DALI masters that support DT8 commands
- Configuration via DALI master USB interface
- Waterproof grade: Ip20
- 5 years warranty

Safety & Warnings

- DO NOT install with power applied to device.
- DO NOT set operation current with power applied to device.
- DO NOT expose the device to moisture.

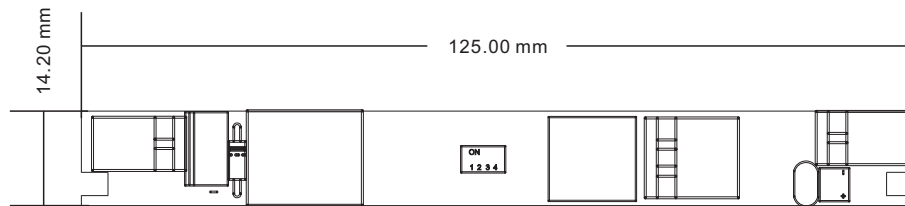
Wiring Diagram



DALI Address Assigned by DALI Masters

DALI address can be assigned by DALI Master controller automatically, please refer to user manuals of compatible DALI Masters for specific operations.

Product Dimension



Installation

