

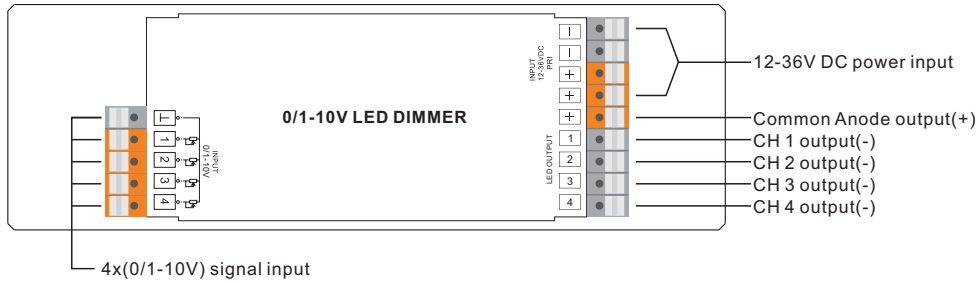
0/1-10V LED Dimmer

70080008



Important: Read All Instructions Prior to Installation

Function introduction



Product Data

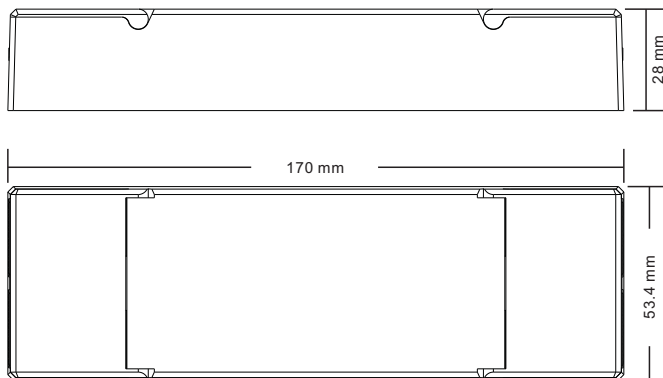
No.	Input Voltage	Output Current	Output Power	Connector Current Rating	Wire Size	Remarks	Size(LxWxH)
1	12-36VDC	4x5A	4x(60-180)W	Max. 10A	0.32-3.3mm ² (12-22AWG)	Constant voltage	170x53.4x28mm
2	12-36VDC	4x350mA	4x(4.2-12.6)W	Max. 10A	0.32-3.3mm ² (12-22AWG)	Constant current	170x53.4x28mm
3	12-36VDC	4x700mA	4x(8.4-25.2)W	Max. 10A	0.32-3.3mm ² (12-22AWG)	Constant current	170x53.4x28mm

- With 4 Channels 0/1-10V signal Input, 4 channels PWM Output
- Analog dim driver, receive standard 0/1-10V dim signal input
- 0-100% dimming range via logarithmic characteristic , perfect for human's vision
- 256 levels of Grey scales, smoothly without any flash
- To work with power repeater to expand output unlimitedly.
- Can coordinate with 0/1-10V regulator or 0/1-10V dimmer to do analog dimming ,smooth dimming curve, be in direct proportion to voltage curve of regular.
- Waterproof grade: IP20

Safety & Warnings

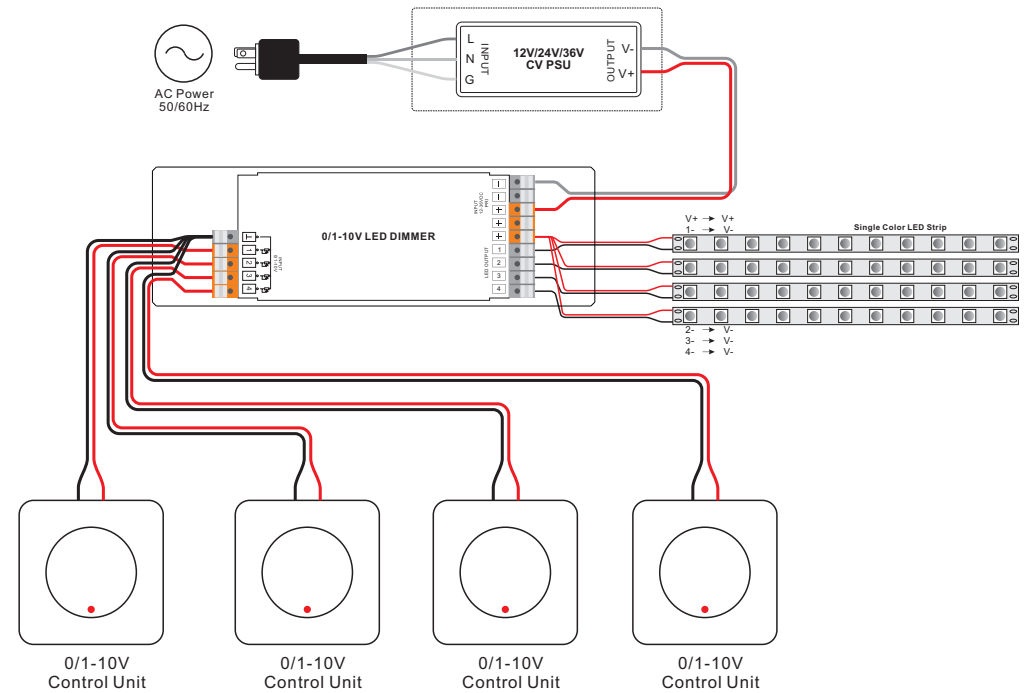
- DO NOT install with power applied to device.
- DO NOT expose the device to moisture.

Product Dimension



Wiring Diagram

1) When total load of each LED controller is not over 10A



2) When total load of each LED controller is over 10A

