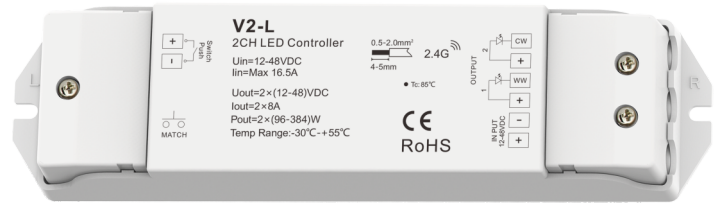


## Dual Color LED Controller

- 4096 levels 0-100% dimming smoothly without any flash.
- Match with all RF 2.4G single zone or multiple zone dual color or remote control.
- One RF controller accept up to 10 remote control.
- Auto-transmitting function: Controller automatically transmit signal to another controller with 30m control distance.
- Synchronize on multiple number of controllers.
- Fade in and out effect selectable.
- 3 levels color temperature (WW, NW and CW) selectable by continuous power off and on operation.
- Connect with external push switch to achieve on/off and 0-100% dimming function.
- Over-load / Short circuit protection, recover automatically.



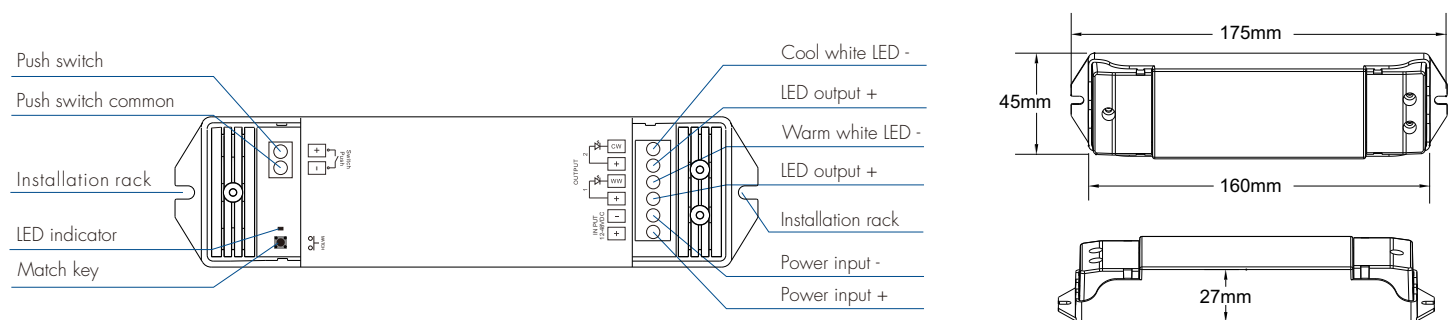
CE RoHS  LVD RED

2 Channel / Step-less dimming / Wireless remote control / Auto-transmitting / Synchronize/ Push Dim / Multiple protection

### Technical Parameters

Input and Output		Dimming data		Safety and EMC	
Input voltage	12-48VDC	Input signal	RF 2.4GHz + Push Dim	EMC standard (EMC)	ETSI EN 301 489-1 V2.2.3 ETSI EN 301 489-17 V3.2.4
Input current	16.5A	Control distance	30m(Barrier-free space)	Safety standard(LVD)	EN 62368-1:2020+A11:2020
Output voltage	2x(12-48)VDC	Dimming gray scale	4096 (2 <sup>12</sup> ) levels	Radio Equipment(RED)	ETSI EN 300 328 V2.2.2
Output current	2CH,8A/CH	Dimming range	0 -100%	Certification	CE,EMC,LVD,RED
Output power	2x(96-384)W	Dimming curve	Linear	<b>Environment</b>	
Output type	Constant voltage	PWM frequency	2KHz (default)	Operation temperature	T <sub>a</sub> : -30°C ~ +55°C
		<b>Package</b>		Case temperature (Max.)	T <sub>c</sub> : +85°C
<b>Warranty</b>		Size	L178 x W50 x H38mm	IP rating	IP20
Warranty	5 years	Gross weight	0.126kg		

### Mechanical Structures and Installations



### Match Remote Control (two match ways)

End user can choose the suitable match/delete ways. Two options are offered for selection:

#### Use the controller's Match key

Match:

Short press match key, immediately press on/off key (single zone remote) or zone key (multiple zone remote) of the remote.

The LED indicator fast flash a few times means match is successful.

Delete:

Press and hold match key for 5s to delete all match,

The LED indicator fast flash a few times means all matched remotes were deleted.

#### Use Power Restart

Match:

Switch off the power, then switch on power, repeat again.

Immediately short press on/off key (single zone remote) or zone key (multiple zone remote) 3 times on the remote.

The light blinks 3 times means match is successful.

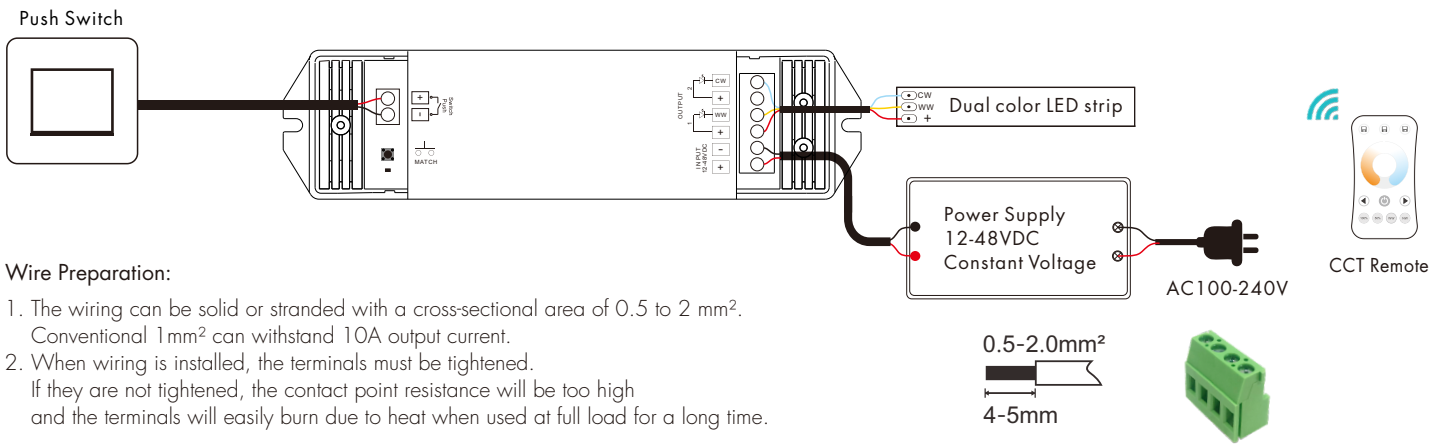
Delete:

Switch off the power, then switch on power, repeat again.

Immediately short press on/off key (single zone remote) or zone key (multiple zone remote) 5 times on the remote.

The light blinks 5 times means all matched remotes were deleted.

## Wiring Diagram



- Note:**
- Continuously switch off and on the power supply two times rapidly, it will change WW, NW and CW 3 levels color temperature in sequence (factory setting).
  - Long press the match key for 15s to cancel the continuous switch off-on to switch 3 levels color temperature function. Long press the match key for 10s to restore the factory setting.
  - The output power of a constant voltage power supply should be at least 1.2 times that of the output load (light strip), otherwise the full power output of the load can easily cause automatic flickering or shaking of the light.

## Light on/off fade time

Long press match key 5s, then short press match key 3 times, the lighting effect will be set to the fade in and fade out in 3s, the indicator light of LED controller blinks 3 times.

Long press match key 10s, restore factory default parameter, the light on/off time restores to 0.5s.

## Push Dim

Click	ON/OFF
Long press(> 1s) from OFF	Color temperature UP/DOWN (turn off and turn on to return dimming)
Long press(> 1s) from ON	Dimming UP/DOWN

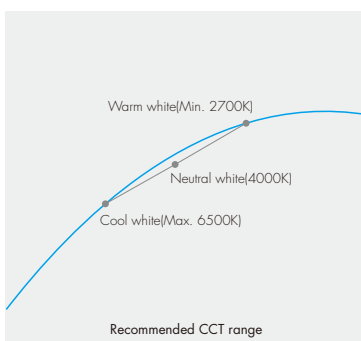
The provided Push-Dim interface allows for a simple dimming method using commercially available non-latching(momentary) wall switches. If more than one controller are connected to the same push switch, do a long press for more than 10s, then the system is synchronized and all lights in the group dim up to 100%. This means there is no need for any additional synchrony wire in larger installations. We recommend the number of controllers connected to a push switch does not exceed 25 pieces, The maximum length of the wires from push to controller should be no more than 20 meters.

## Dual color control

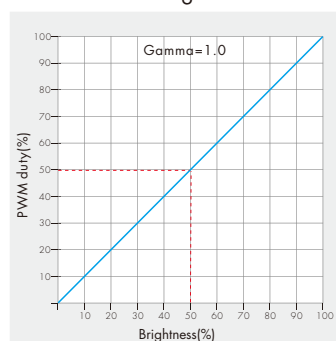
WW=Warm white LED CW=Cool white LED Each channel can supply up to 192W(@24V) and white balance can be controlled as such:

Color temperature	Cool white	Neutral white	Warm white
Power distribution	WW=0W,CW=192W	WW=96W,CW=96W	WW=192W,CW=0W

Linear dual color tuning



Dimming curve



## Installation Precautions

- The products shall not be stacked, the distance should be  $\geq 20$ cm, so as not to affect lifespan of the products due to poor heat dissipation.
- The product shall not be installed close to the switching power supply with an interval of  $\geq 20$ cm to avoid radiation interference of the switching power supply.
- The installation height shall be  $\geq 1$ m from the floor to avoid shortening the remote control distance due to too weak reception signal.
- The products are not allowed to be close to or covered by metal objects, with an interval of  $\geq 20$ cm to avoid signal attenuation and shorten the remote distance.
- Avoid installation at the corner of the wall or the corner of the beam, with an interval of  $\geq 20$ cm to avoid signal interference.