

# DIN Rail DALI Master Controller

70030140



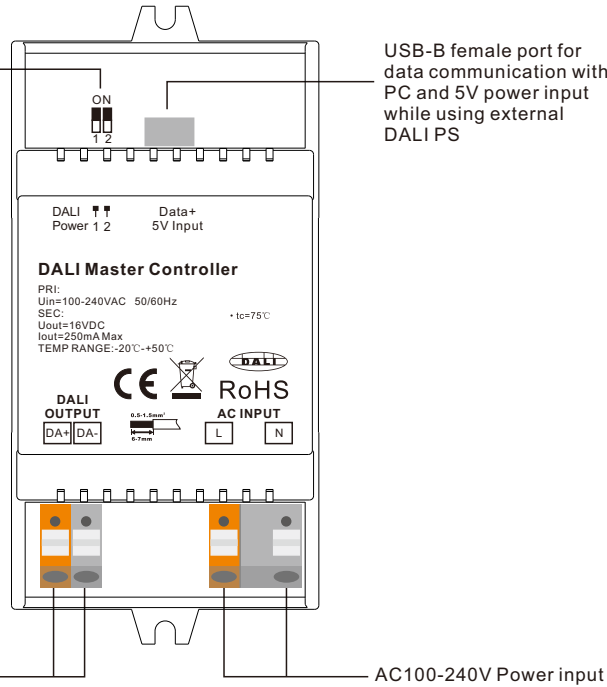
**Important:** Read All Instructions Prior to Installation

## Function introduction

Enable or disable built-in DALI PS by dip switches:

- ⬇ ⬇ Disable (dial both switches to "1 2" position)
- ⬆ ⬆ Enable (dial both switches to "ON" position)

Enable when use built-in DALI power supply  
Disable when use external DALI power supply



## Product Data

### While built-in DALI PS enabled

Input Voltage	Frequency	Number of DALI Channel	Output Voltage	Output Current	Size(LxWxH)	Ambient Temperature
100-240VAC	50/60Hz	1	16VDC	250mA max	110x53x65mm	-20°C ~ +50°C

### While built-in DALI PS disabled

Input Voltage	Number of DALI Channel	DALI Current Consumption	Size(LxWxH)	Ambient Temperature
5VDC	1	4mA max	110x53x65mm	-20°C ~ +50°C

## Safety & Warnings

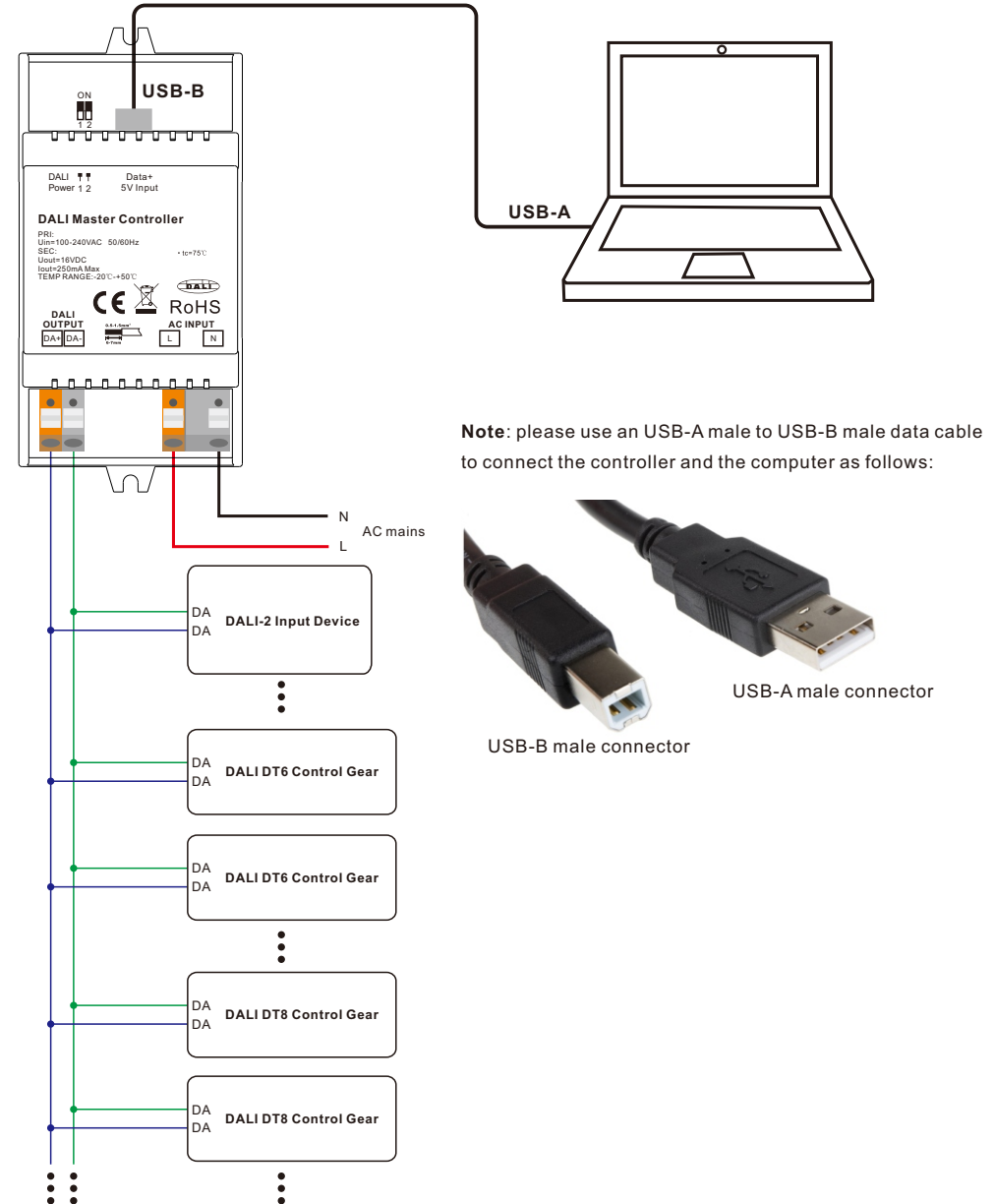
- DO NOT install with power applied to device.
- DO NOT expose the device to moisture.

- Supports DT6, DT8 Tc, DT8 XY, DT8 RGBWA control gear device types, DALI-2 input devices
- Supports addressing, grouping and scene configuration for max 64 control gears
- Built-in 250mA DALI PS, no extra wiring required
- Easy connect to a Windows PC through USB port
- Easy & quick configuration through the PC configuration software

- Built-in battery, built-in RTC, supports timer task configuration
- Supports cycle schedule configuration
- Supports bionic schedule configuration (Human Centric Lighting)
- Waterproof grade: IP20

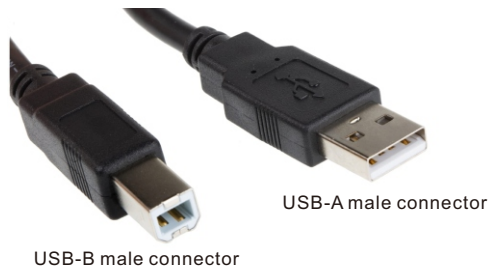
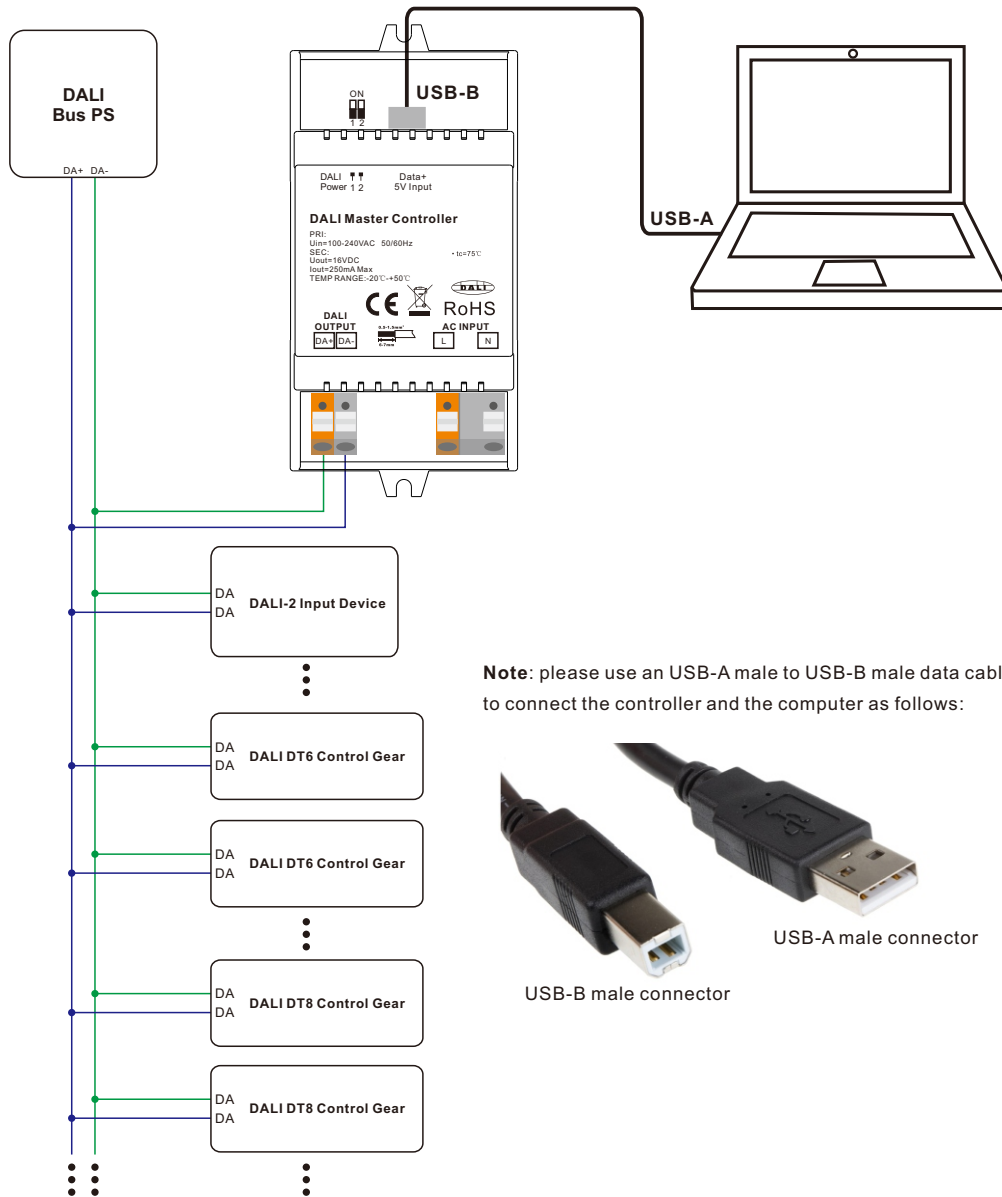
## Wiring Diagram

### 1) While Use built-in DALI Power Supply



**Note:** When use built-in DALI power supply, please dial both DALI power setting dip switches to "ON" position. The controller can supports up to total 64 control gears and 64 input devices.

## 2) While Use External DALI Power Supply



**Note:** When use external DALI power supply, please dial both DALI power setting dip switches to "1 2" position. the controller can support up to total 64 control gears and 64 input devices depending on external DALI PS.

### Operation

1) Do wiring according to the wiring diagram and power on the DALI system.

2) Install the "DALI Master" software on the operating computer:

Step 1: Run the installation file and select installation mode as shown in Figure 1.

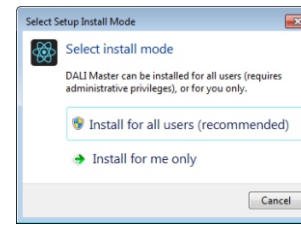


Figure 1 Select Installation Mode

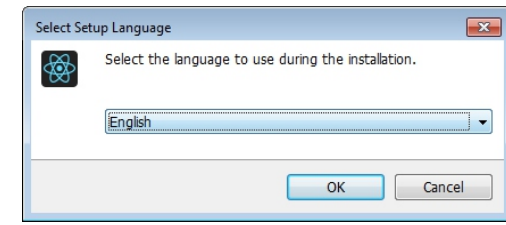


Figure 2 Select a Installation Language

Step 2: Select installation language as shown in Figure 2.

Step 3: Select installation path as shown in Figure 3.

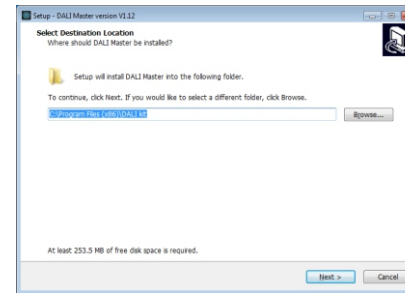


Figure 3 Installation Path

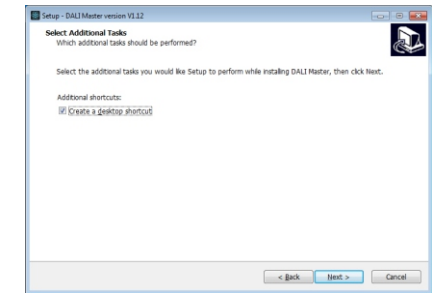


Figure 4 Create Desktop Shortcut

Step 4: Create desktop shortcut as shown in Figure 4.

Step 5: Starting installation as shown in Figure 5.

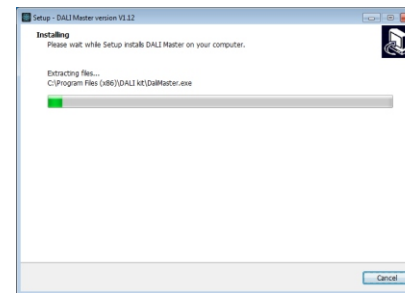


Figure 5 Starting Installation

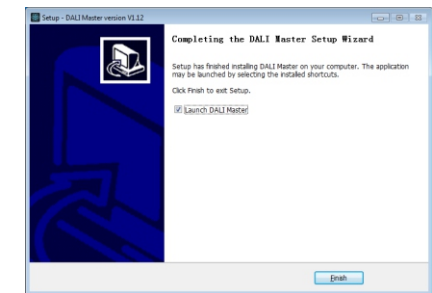


Figure 6 Complete Installation

Step 6: Complete installation as shown in Figure 6.

## Notes:

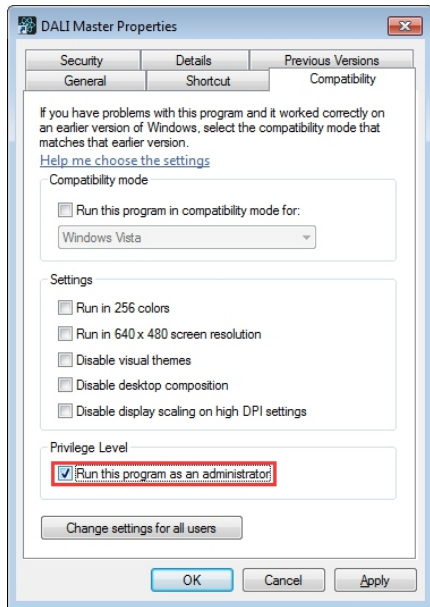


Figure 7 Run this program as an administrator

1) Please install the software according to the installation steps, otherwise it can not be started correctly.

2) This software is installed to disk C by default, if the installation path is not modified, please run the software as administrator, detailed method is as follows:

**Step 1:** Right click the desktop icon  to check the properties, switch to "Compatibility" tab, and check item "Run this program as an administrator" as shown in **Figure 7**.

**Step 2:** Click "OK" to complete the setting as shown in **Figure 7**.

3) If you need to re-install the software, if you need to change the installation path please first uninstall previous installation, otherwise just install to cover the previous installation.

## 3) INSTALL CH340 DRIVER

**Step 1:** Connect the USB communication port wire, double click the file "CH341SER.EXE" to install, as shown in **Figure 8**.

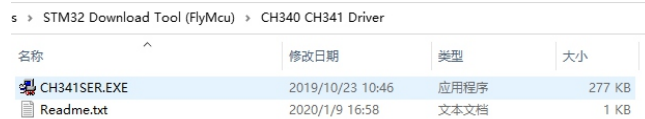


Figure 8 Double Click "CH341SER.EXE"

**Step 2:** If there is an indication that installation failed, please first uninstall the installation, then install again.

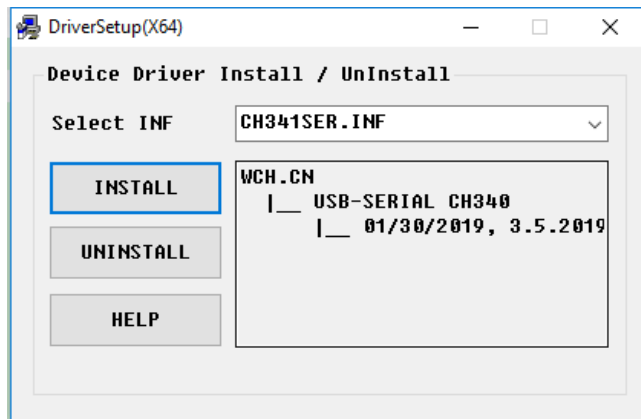


Figure 9 Driver Installation

**Step 3:** Right click "This PC", then click "Management", then click "Device Manager", then you can check whether the installation is successful or not as shown in **Figure 11**.



Figure 10 Driver Installation Successful

5) Follow the instruction of the PC configuration software to configure the master controller and control gears, for detailed operation please refer to the user manual of the PC software.

## Product Dimension

