

Specification

Prepared	Checked	Approved	Accepted	Confirmed	Approved

U	C	RoH	2835 SMD	128 LEDS/M	LED Strip	D 24V	IP 67	3 years
----------	----------	------------	--------------------	----------------------	---------------------	------------------------	------------------------	-------------------

Model : ☉ RV30C8TC-A

5000*10mm, 640 pcs 2835 SMD LEDs, half surrounding tube with silica gel injected series, constant voltage 24Vdc, waterproof flexible LED strip,White(9.6W/m)

Picture :



Features :

- ☉ Adopt 2835 SMD LEDs with high strength, high reliability;
- ☉ ERP color standard, one bin only, with good color consistency;
- ☉ Good oxidation resistance by silver-plated pad;
- ☉ Engineering pad design, easy soldering;
- ☉ New ID, simple and artistic;
- ☉ UL、CE、RoHS compliant, guaranteed quality.

Applications :

- ☉ Suitable for hotel, shopping mall, home, cabinet, show frame, etc. as main lighting, indirect lighting, cove lighting, contour lighting, decorative lighting, etc.

Warranty :

- ☉ 3 years or 13,000 hours, whichever comes first

P/N	LED Color	CCT (Finished products) (K)	CRI	SD CM	Beam Angle (°)	Luminous Flux (lm/m)	Luminous Efficacy (lm/w)	Working voltage (VDC)	Working current(mA)		Power (w)	
									1m[3 9.37 in]	5m[1 96.8 5in]	1m[3 9.37 in]	5m[1 96.8 5in]
RV30C8TC-A	White	3500	≥80	≤5	≥115	780	80	24	400	1790	9.6	43
RV30C8TC-A	White	5500	≥80	≤5	≥115	870	90	24	400	1790	9.6	43
RV30C8TC-	White	8800	≥80	≤5	≥115	870	90	24	400	1790	9.6	43

A

Optical and Electrical Parameters :

Others :

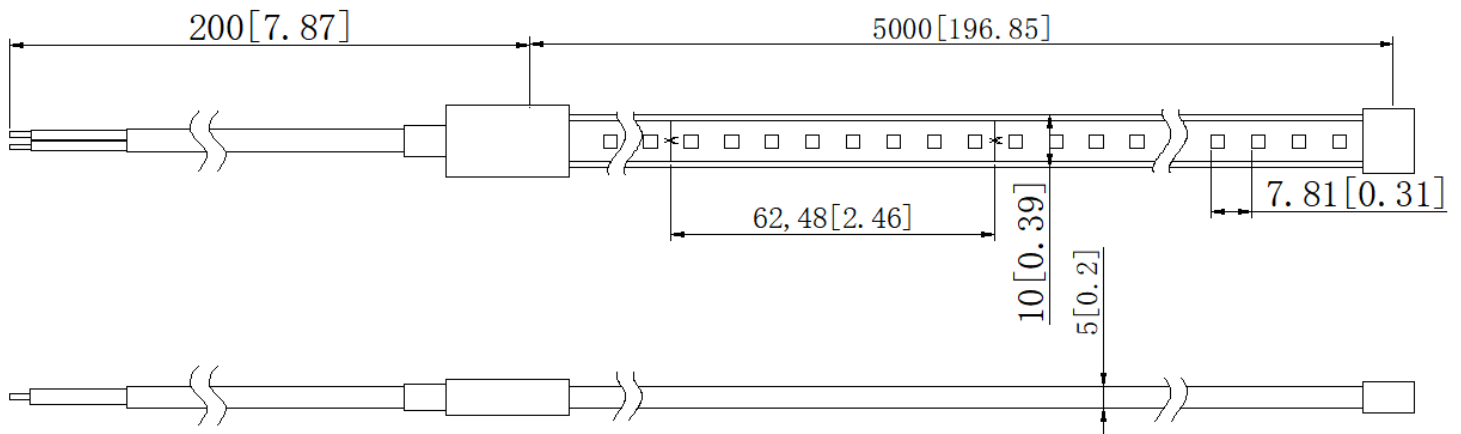
P/N	IP Grade	Operating Temp		Storage Temp		Standard length		Max. cascading length		LED Qty (pcs)	Weight	
		(°C)	(°F)	(°C)	(°F)	(m)	(inch)	(m)	(inch)		(g/m)	(lb/m)
RV30C8TC-A	IP67	-25~ +60	-13~ +140	-25~ +70	-13~ +158	5	196.8	5	196.8	128	/	/

Notes:

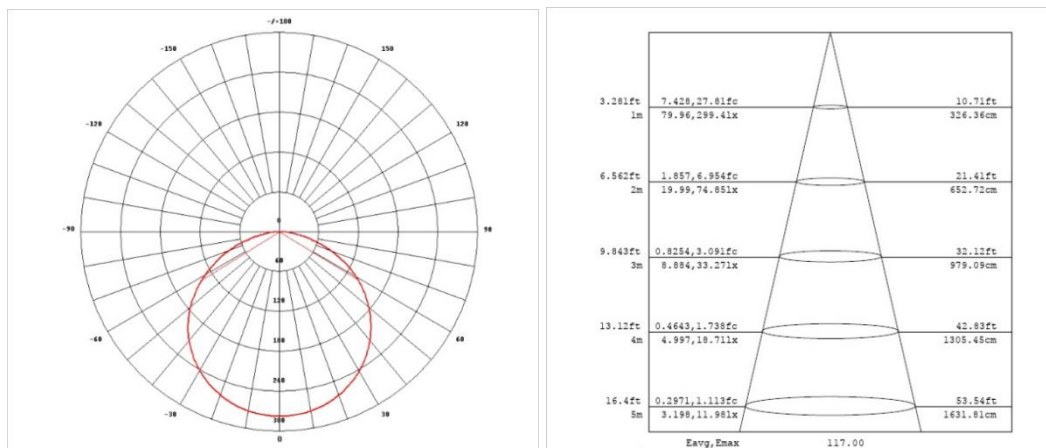
- (1) Testing environment temperature: 25±2°C [77±3.6°F];
- (2) The above data each single product could differ from the typical values. The data subject to change without prior notice;
- (3)The above CCT is derived from bare LED. Due to the refraction of the half pack filling tube, there may be slight changes. Please refer to the actual sample for the final CCT.
- (4)The above "--" means the parameters are not required temporarily.

Profile Drawings :

Unit: mm[inch]



Light Distribution/Iso-illuminance Diagram:

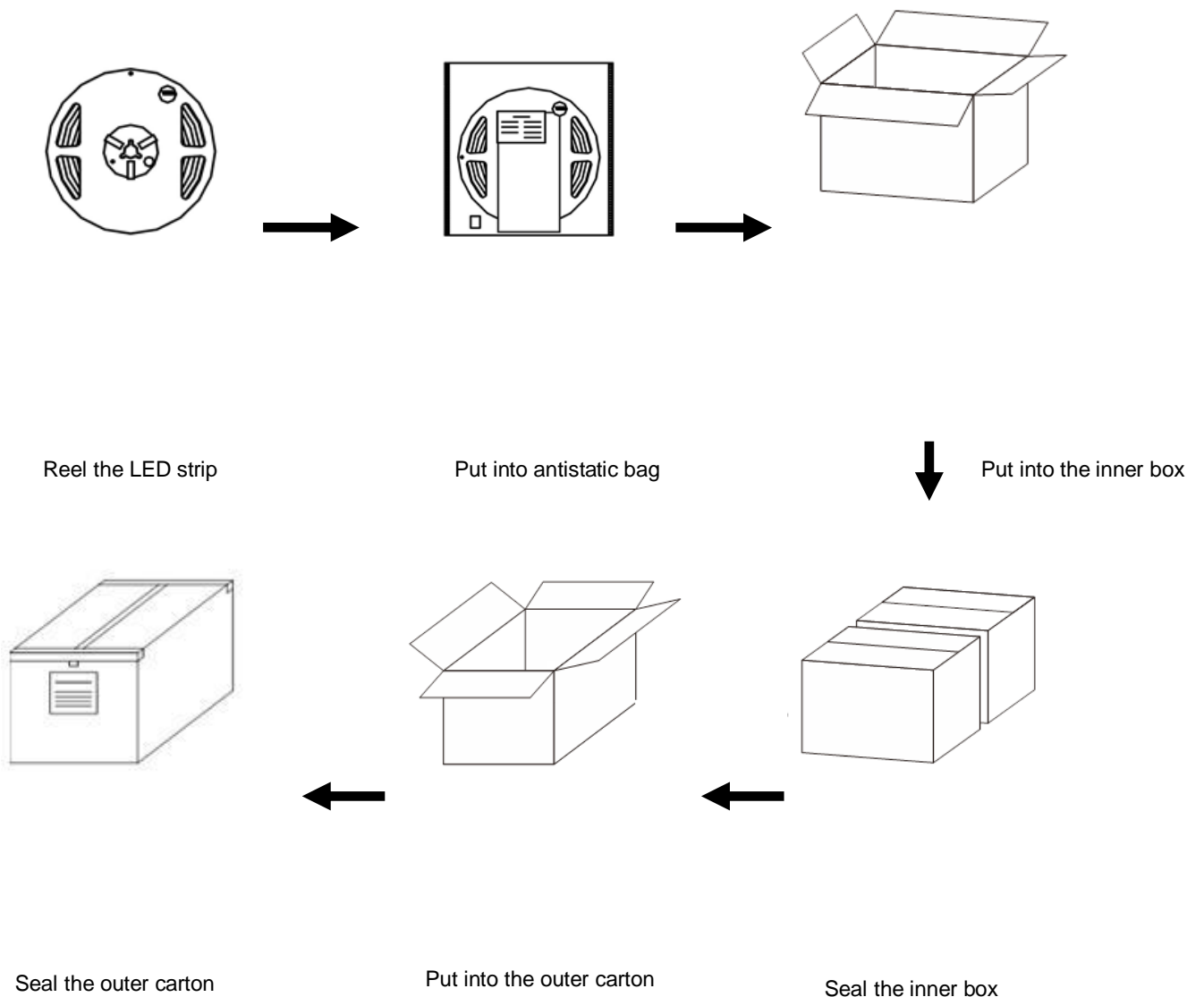


Packaging Information :

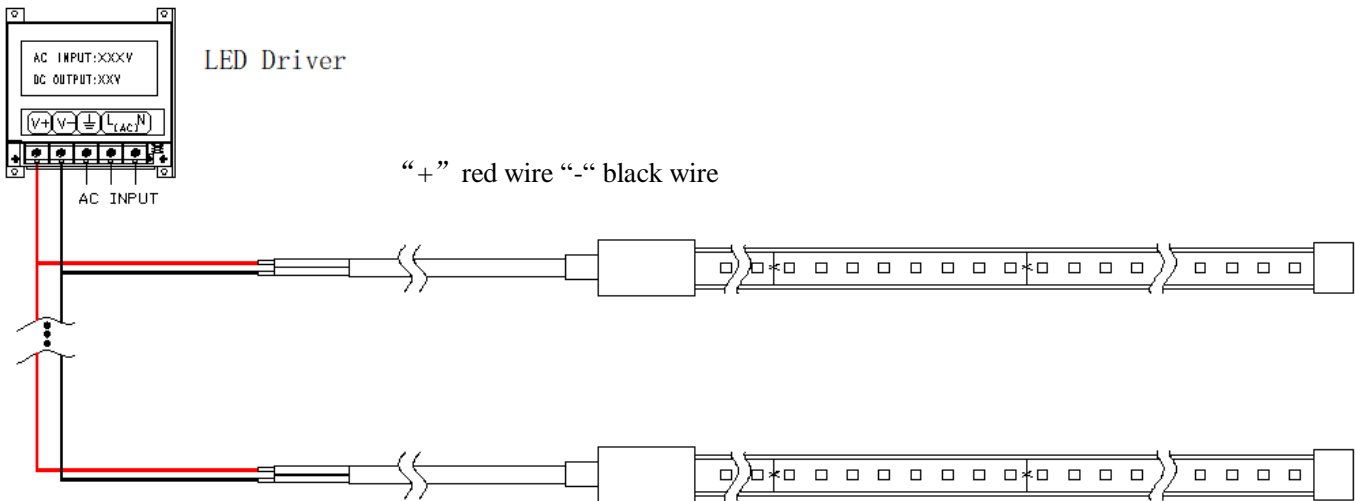
P/N	Qty (m/reel)	Qty (m/carton)	Total Qty (m)	Total weight		Outer carton size					
				(kg)	(lb)	length		width		height	
						(mm)	(inch)	(mm)	(inch)	(mm)	(inch)
RV30C8TC-A	5	75	150	13.6	29.98	458	18.03	256	10.08	268	10.55

Notes: Above qty and weight of packing is only for the packing shown in the picture, which might be different from other packing modes, thus for actual qty and weight please refer to actual samples.

Packaging Diagram :



Connection Instruction :



Notes : please make sure the “+” and “-“ of the product’s input are correctly connected to those of the power supply output.

Parts & Tools :

Product Spare Parts

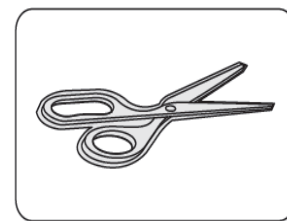


LED Strip

Self-provided Tools

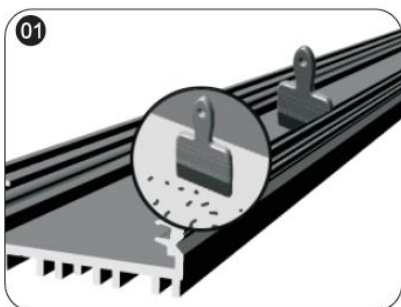


Electrical Drill & Drilling bit

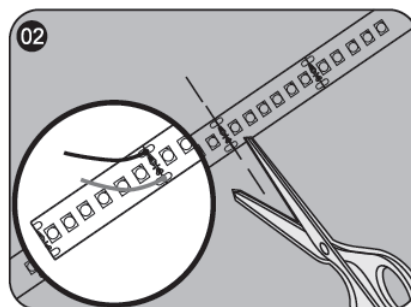


Scissors

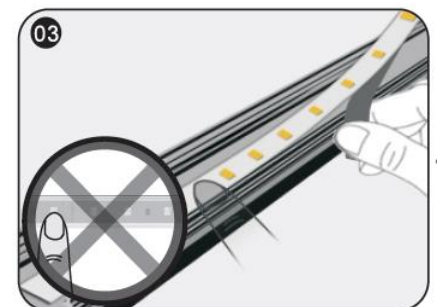
Installation Steps & Cautions :



01 Make sure the mounting surface is clean before installation;



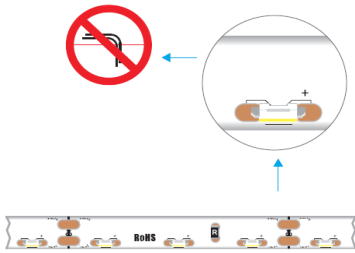
02 Calculate the needed length and cut off the extra length along cutting mark if necessary; if need to add wires, please weld them at the next location with printed mark.



03 While sticking strips, peel off the release paper of the tape step by step. Don't peel off all release paper at a time to avoid getting your strip in a mess.
△Notes: No pressing the bead!



Stick Mylar tape to isolate the cutting position from the bottom of profile inner slot to avoid short-circuit;



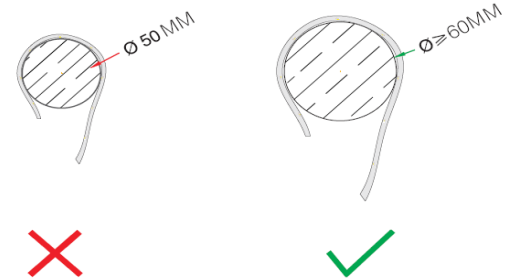
No bending the strip at the position of LED

The installation at the corner is shown as the above figure.
 △Notes: No bending it into right angle; No twisting it to stick on the mounting surface.



No twisting the strip

Connect strip wires to the output terminal of power supply, and dispose with waterproof, insulation, short-circuit and anti-corrosion protection at both the wire joints and the cut section of your strip (if any)



No winding an object with a diameter <5cm

Troubleshooting :

Malfunctions	Possible Causes	Solutions
All LEDs don't work	1. The power supply did not connect to power grid.	Power on
	2. No electricity due to short-circuit of external power supply.	Remove the malfunction caused by short-circuit, power on again.
	3. The wires of strips connect to power supply output reversely.	Check the connecting and ensure the wires are connected correctly.
Part of LEDs don't work	1. Part of power supplies do not have output.	Check the power supply system.
	2. Part of wires of strips have malfunction.	
	3. Particular modules connected reversely.	Correct connection
Brightness of LEDs	1. Overloaded power supply;	Replace it with higher power supply

is weak or uneven	2. The power loss of power circuit is huge or the power loss of each circuit existing big difference.	Ensure working voltage of strips is within $\pm 5\%V$ of rated voltage. (1. Shorten the length of wires between the first strip and power supply or replaced with wires with bigger diameter; 2. Ensure the cascading qty of string is less than or equal to the allowed maximum cascading qty, and each strip cascading qty is well-balanced.)
	3. Exceed in qty of strips in series	Lessen the cascading qty for strip and ensure the qty for each electrical circuit is within the maximum cascading qty.
LEDs are blinking	1. Poor contacted in the joints.	Find out and tackle malfunction immediately.
	2. Failures in power supply.	Replace power supply.

Declaration :

- ⊙ If the external flexible cable of light box is damaged, please replace it by its manufacturer or its service agent or qualified person to avoid a hazard.
- ⊙ The specific installation and cautions please refer to the user manual.
- ⊙ The given data in this specification is based on our standard product. There may be existed slight difference compared with actual products.
- ⊙ All Illustrations in this specification are for reference only.
- ⊙ This product is subject to change or modify without prior notice.
- ⊙ RISHANG OPTOELECTRONICS CO., LTD. reserves the right of final explanation for this specification.

<End>

Rishang Optoelectronics Co., Ltd. (stock code: 002654)

Add: North 701, Wanrun Building, No. 2519, Guangqiao Avenue, Fenghuang Street, Guangming New District, Shenzhen Guang Dong, 518108, China
 Tel: +86-755-33258896 E-mail: info@ledlamps.com.cn
 Website: www.ledlamps.com.cn

Website



Official Account



