

Specification

Prepared	Checked	Approved	Accepted	Confirmed	Approved





CE	RoHS	2835 SMD	84 LEDs/M	LED Strip	DC 48V	IP 20	3 Years
-----------	-------------	--------------------	---------------------	----------------------------	-------------------------	------------------------	-------------------

Model:  RJ0284TJ-A


50000*12, 4200pcs 2835 SMD LEDs, bare board, constant current, DC48V, lighting series LED flex strip

Picture:

Features:

-  Adopt 2835 LED;
-  Can be cut at the position of cutting mark;
-  Constant current drive, available for use in long cascading of 50M;
-  CE, RoHS compliant.

Applications:

-  Suitable for KTV, shopping mall, cabinet, etc. as corner decoration or contour lighting, etc.

Warranty:

-  3 years or 13,000 hours, whichever comes first.

Optical and Electrical Parameters:

P/N	LED Color	CCT (K)	CRI	SDCM	Beam Angle (°)	lm	lm/W	V DC	mA		W	
									1m	50m	1m	50m
RJ0284TJ-A	Warm White	1800	≥80	--	115	425	71	48	125	5208	6	250
RJ0284TJ-A	Warm White	2200	≥80	--	115	554	92	48	125	5208	6	250
RJ0284TJ-A	Warm White	2400	≥80	--	115	594	99	48	125	5208	6	250
RJ0284TJ-A	Warm White	2700	≥80	--	115	608	101	48	125	5208	6	250
RJ0284TJ-A	Warm White	3000	≥80	--	115	621	104	48	125	5208	6	250
RJ0284TJ-A	Pure White	4000	≥80	--	115	675	112	48	125	5208	6	250
RJ0284TJ-A	Pure White	5000	≥80	--	115	675	112	48	125	5208	6	250
RJ0284TJ-A	Cold White	6500	≥80	--	115	655	109	48	125	5208	6	250

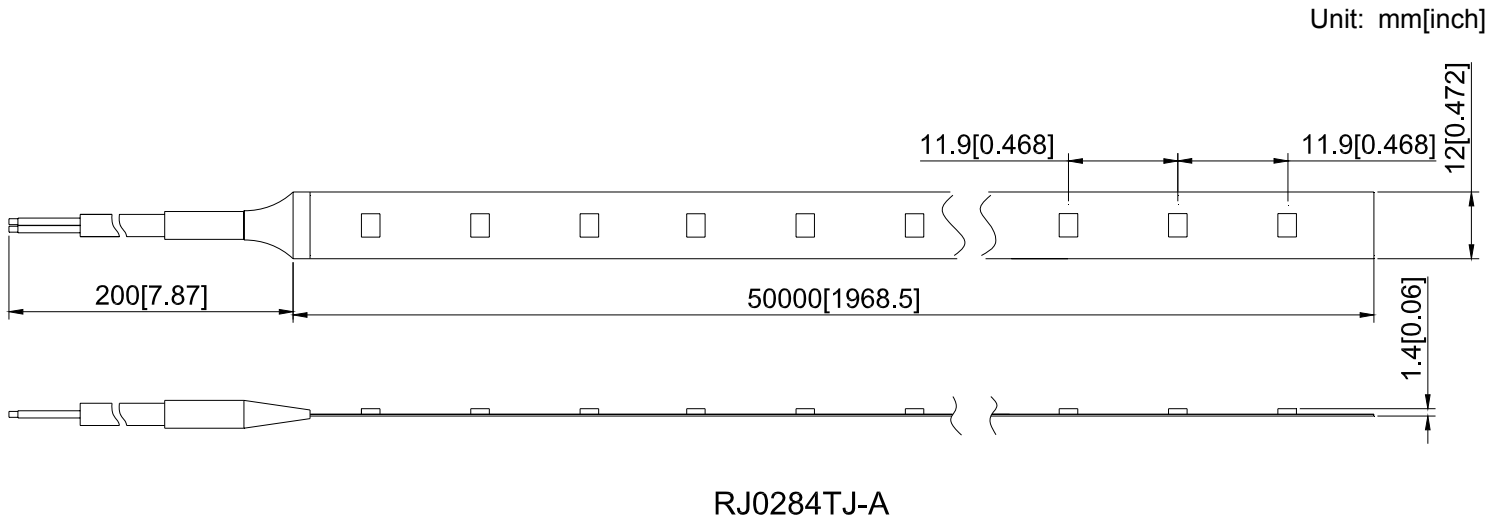
Others:

P/N	IP Grade	Operating Temp (°C)	Storage Temp (°C)	Standard length (m)	Max. cascading length (m)	LED Qty (pcs/m)	Weight (g/m)
RJ0284TJ-A	IP20	-25~+60	-25~+70	50	50	84	/

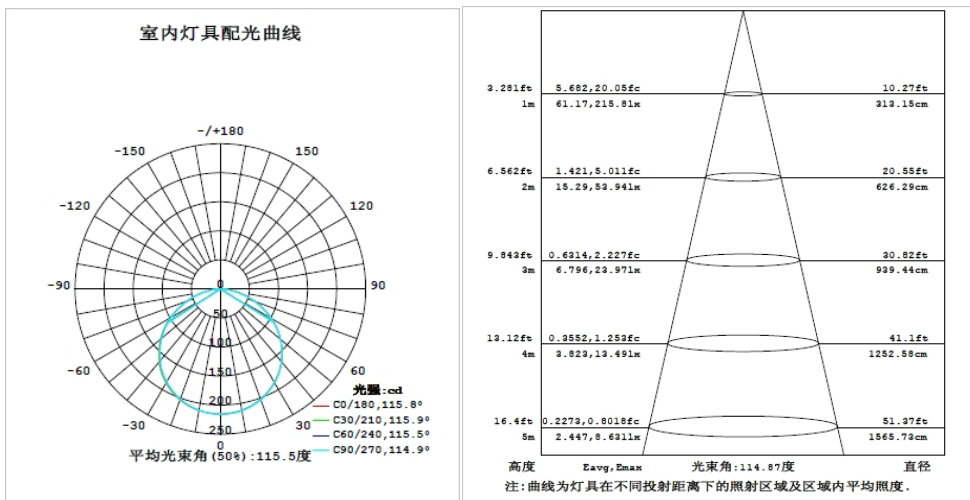
Notes:

- (1) Testing environment temperature: 25±2°C [77±3.6°F];
- (2) The actual data of each single product may differ from above typical data which are subject to change without prior notice;
- (3) The noted CCT is that of the bare board LED strip. The final CCT please refer to the actual sample;
- (4) The above "--" means the parameters are not required.

Profile Drawings:



Light Distribution/ISO-Lux Diagram:



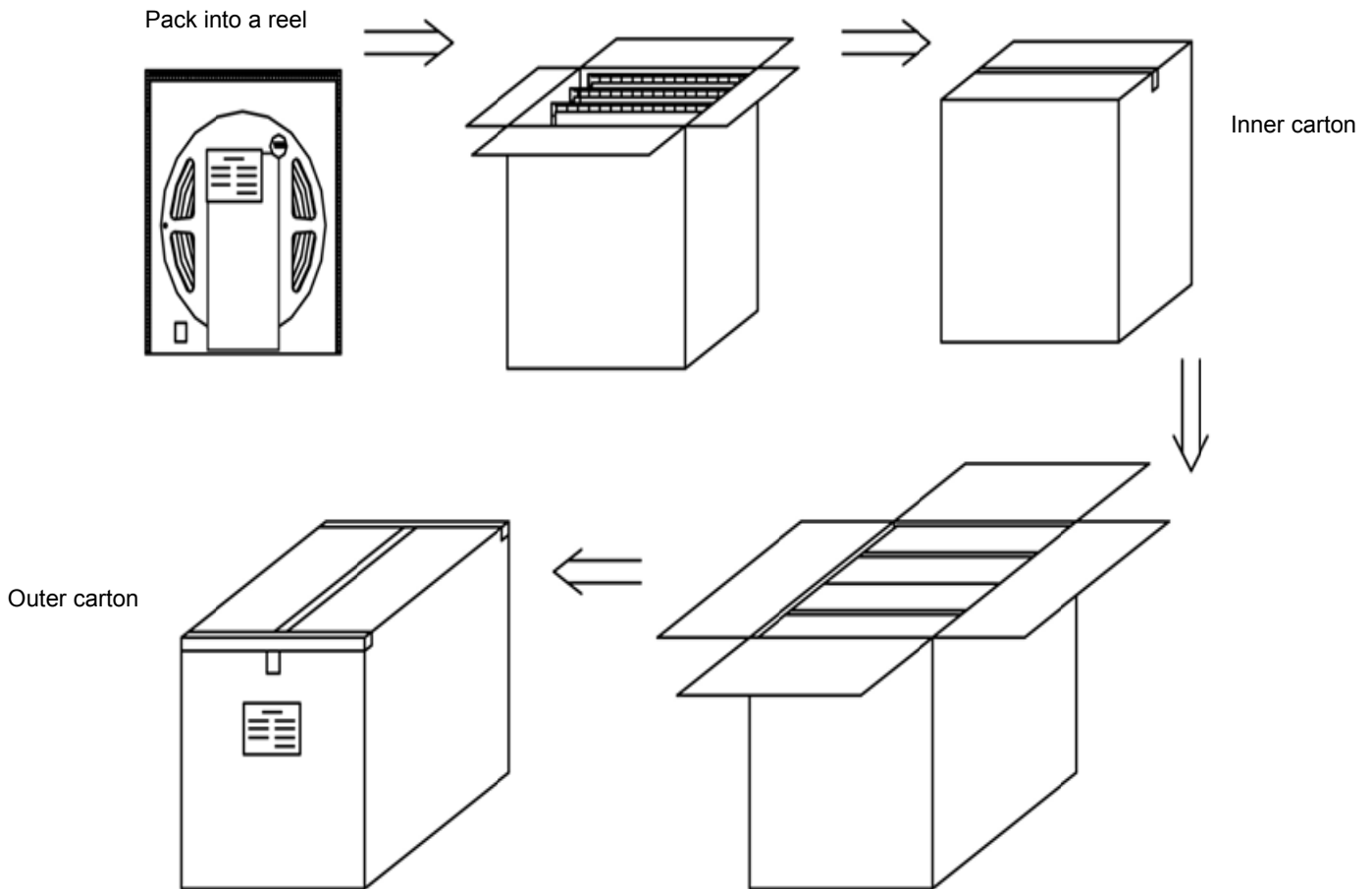
RJ0284TJ-A

Packaging Information:

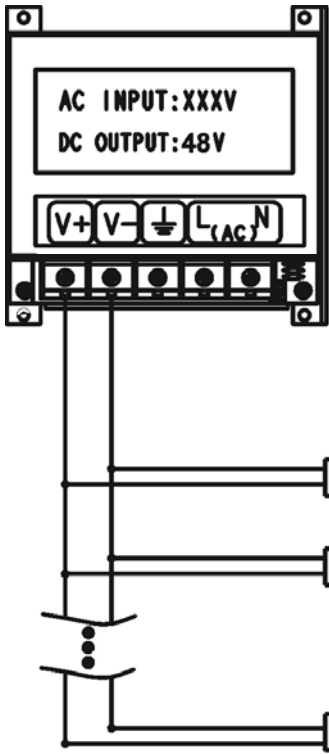
P/N	Qty (m/reel)	Qty (m/carton)	Total Qty (m)	Total weight (Kg)	Outer carton size (mm)		
					length	width	height
RJ0284TJ-A	50	400	800	20.8	448	355	468

Note: The actual packed quantity and weight might differ from the above data in other packaging. Please refer to the actual product for detailed information.

Packaging Diagrams:



Connection Instruction:



Note: Please connect the '+' and '-' of the input wires to those of output end correctly.

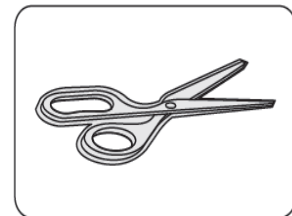
"+": red wire, "-": black wire.

Parts & Tools:

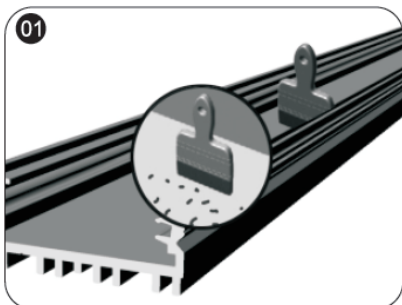
Product Spare Parts



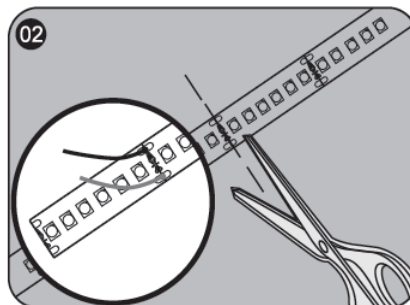
Self-provided Tools



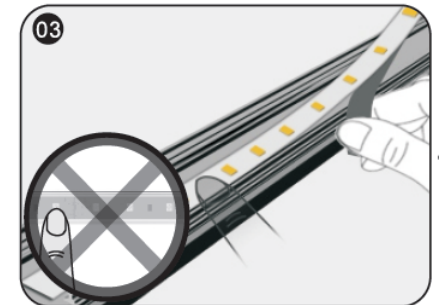
Installation Steps & Cautions:



01 Make sure the mounting surface is clean before installation;



02 Calculate the needed length and cut off the extra length along cutting mark if necessary; if need to add wires, please weld them at the next location with printed mark

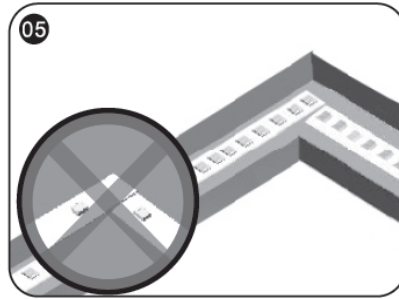


03 While sticking strips, peel off the release paper of the tape step by step. Don't peel off all release paper at a time to avoid getting your strip in a mess.

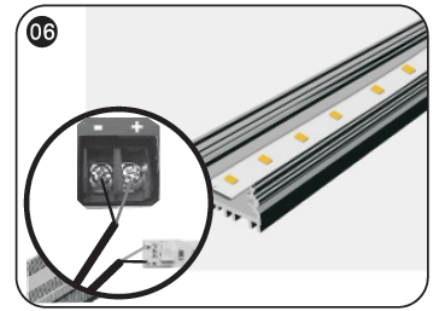
△Notes: No pressing the bead!



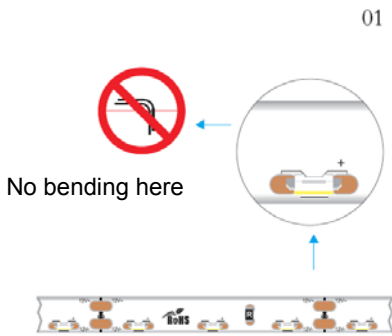
◎ Stick Mylar tape to isolate the cutting position from the bottom of profile inner slot to avoid short-circuit;



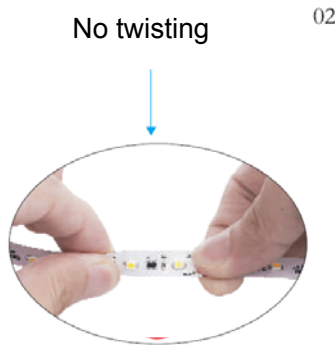
◎ The installation at the corner is shown as the above figure.
△Notes: No bending it into right angle; No twisting it to stick on the mounting surface.



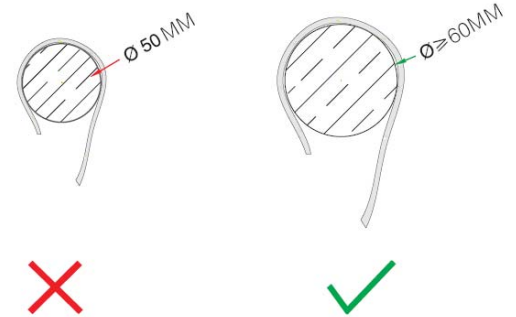
◎ Connect strip wires to the output terminal of power supply, and dispose with waterproof, insulation, short-circuit and anti-corrosion protection at both the wire joints and the cut section of your strip (if any).



◎ No bending the strip at the position of LED



◎ No twisting the strip



◎ No winding an object with a diameter <5cm

Troubleshooting:

Malfunctions	Possible Causes	Solutions
All LEDs don't work	1. The power supply did not connect to power grid.	Power on
	2. No electricity due to short-circuit of external power supply.	Remove the malfunction caused by short-circuit, power on again.
	3. The wires of strips connect to power supply output reversely.	Check the connecting and ensure the wires are connected correctly.
Part of LEDs don't work	1. Part of power supplies do not have output.	Check the power supply system.
	2. Part of wires of strips have malfunction.	
	3. Particular modules connected reversely.	Correct connection
Brightness of LEDs is weak or uneven	1. Overloaded power supply;	Replace it with higher power supply
	2. The power loss of power circuit is huge or the power loss of each circuit existing big difference.	Ensure working voltage of strips is within $\pm 5\%$ V of rated voltage. (1. Shorten the length of wires between the first strip and power supply or replaced with wires with bigger

		diameter; 2. Ensure the cascading qty of string is less than or equal to the allowed maximum cascading qty, and each strip cascading qty is well-balanced.)
	3. Exceed in qty of strips in series	Lessen the cascading qty for strip and ensure the qty for each electrical circuit is within the maximum cascading qty.
LEDs are blinking	1. Poor contacted in the joints.	Find out and tackle malfunction immediately.
	2. Failures in power supply.	Replace power supply.

Declaration:

- ⊙ If the external flexible cable of light box is damaged, please replace it by its manufacturer or its service agent or qualified person to avoid a hazard.
- ⊙ The specific installation and cautions please refer to the user manual.
- ⊙ The given data in this specification is based on our standard product. There may be existed slight difference compared with actual products.
- ⊙ All Illustrations in this specification are for reference only.
- ⊙ This product is subject to change or modify without prior notice.
- ⊙ RISHANG OPTOELECTRONICS CO., LTD reserves the right of final explanation for this specification.

<End>

Rishang Optoelectronics Co., Ltd (stock code: 002654)

Add: Block 2, Hongfa jiateli High-Tech. Park Tangtou Ave., Shiyan, Bao'an Shenzhen
 Guang Dong, 518108, China
 Tell: +86-755-36988588 E-mail: info@ledlamps.com.cn
 Website: www.ledlamps.com.cn

Website



Official Account

