

# Specification

| Prepared | Checked | Approved | Accepted | Confirmed | Approved |
|----------|---------|----------|----------|-----------|----------|
|          |         |          |          |           |          |

|           |      |                    |                      |                     |           |                 |                   |            |
|-----------|------|--------------------|----------------------|---------------------|-----------|-----------------|-------------------|------------|
| <b>CE</b> | RoHS | <b>2835</b><br>SMD | <b>128</b><br>LEDS/M | <b>LED</b><br>Strip | DC<br>24V | IP<br><b>20</b> | <b>5</b><br>Years | <b>ErP</b> |
|-----------|------|--------------------|----------------------|---------------------|-----------|-----------------|-------------------|------------|

**Model:** RV08C8TC-A

5000\*8, 640pcs 2835 SMD LED, bare board series , 24Vdc, constant voltage, LED flex strip

**Figure:**



**Features:**

- ⊙ 2835 SMD LEDs bring high luminous efficacy;
- ⊙ Spectroscopic standard ERP, one BIN only, good color uniformity;
- ⊙ CE, ROHS compliant;
- ⊙ European ErP standards-Class D Energy Efficiency;

**Applications:**

- ⊙ Suitable for hotel, shopping mall, home, cabinet, show frame, etc. as main lighting, indirect lighting, cove lighting, contour lighting, decorative lighting, etc.

**Warranty:**

- ⊙ 5 years or 22,000 hours, whichever comes first.
- ⊙ Lifetime: 50,000 hours.

**Optical and Electrical Parameters:**

| P/N        | LED Color | CCT (K) | CRI | SDCM | Beam Angle (°) | Luminous Flux (lm/m) | Luminous Efficacy (lm/W) | Working voltage (VDC) | Working current (mA) |               | Power (W/m)  |               |
|------------|-----------|---------|-----|------|----------------|----------------------|--------------------------|-----------------------|----------------------|---------------|--------------|---------------|
|            |           |         |     |      |                |                      |                          |                       | 1m[39 .37in]         | 5m[19 6.85in] | 1m[39 .37in] | 5m[196 .85in] |
| RV08C8TC-A | White     | 2700    | ≥80 | ≤5   | ≥115           | 1448                 | 151                      | 24                    | 400                  | 1770          | 9.6          | 42.5          |
| RV08C8TC-A | White     | 3000    | ≥80 | ≤5   | ≥115           | 1515                 | 158                      | 24                    | 400                  | 1770          | 9.6          | 42.5          |
| RV08C8TC-A | White     | 4000    | ≥80 | ≤5   | ≥115           | 1590                 | 166                      | 24                    | 400                  | 1770          | 9.6          | 42.5          |
| RV08C8TC-A | White     | 6500    | ≥80 | ≤5   | ≥115           | 1550                 | 161                      | 24                    | 400                  | 1770          | 9.6          | 42.5          |

**Others:**

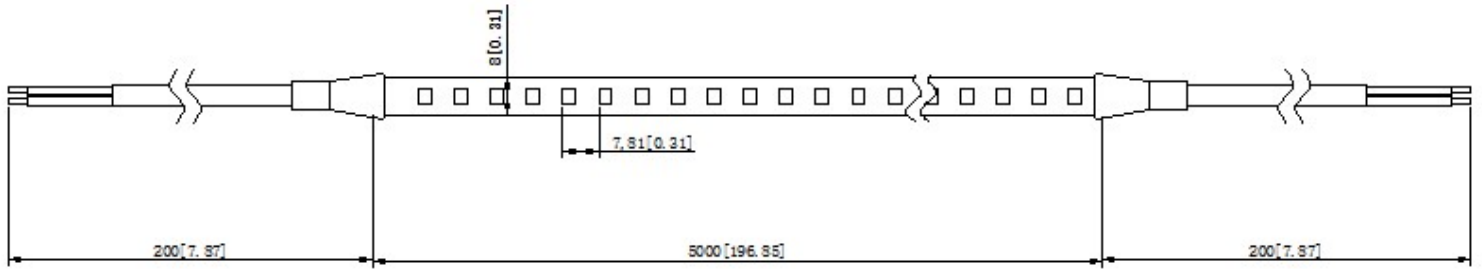
| P/N        | IP Grade | Operating Temp |              | Storage Temp |              | Standard length |        | Max. cascading length |        | LED Qty (pcs) | Weight |        |
|------------|----------|----------------|--------------|--------------|--------------|-----------------|--------|-----------------------|--------|---------------|--------|--------|
|            |          | (°C)           | (°F)         | (°C)         | (°F)         | (m)             | (inch) | (m)                   | (inch) |               | (g/m)  | (lb/m) |
| RV08C8TC-A | IP20     | -25~<br>+60    | -13~<br>+140 | -25~<br>+70  | -13~<br>+158 | 5               | 196.8  | 5                     | 196.8  | 168           | 19     | 0.042  |

Notes:

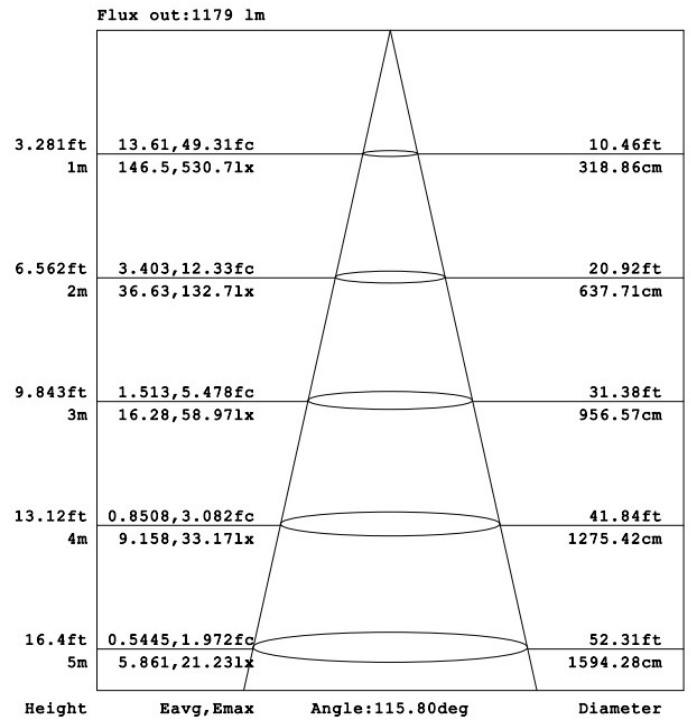
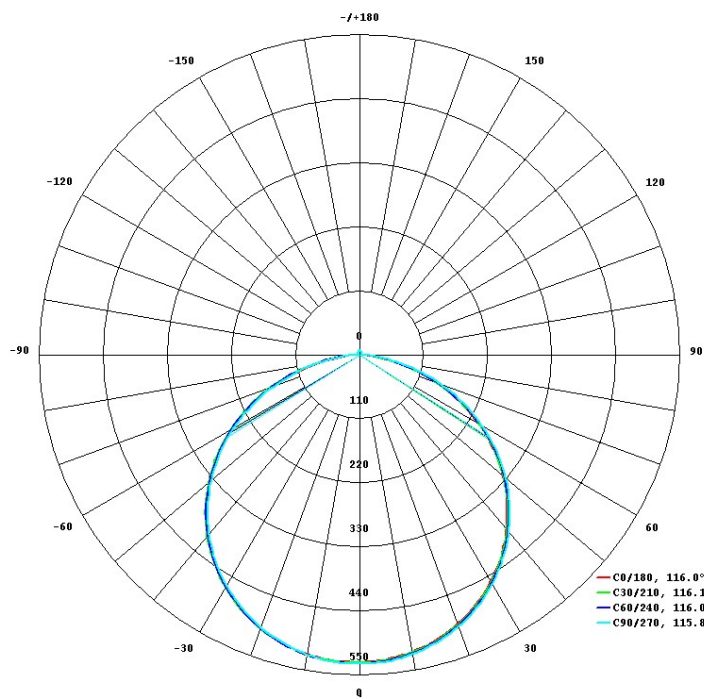
- (1) Testing environment temperature: 25±2°C [77±3.6°F];
- (2) The actual data of each single product may differ from above typical data which are subject to change without prior notice;
- (3) The above “-” means the parameters are not required temporarily

Profile Drawings:

Unit: mm[inch]



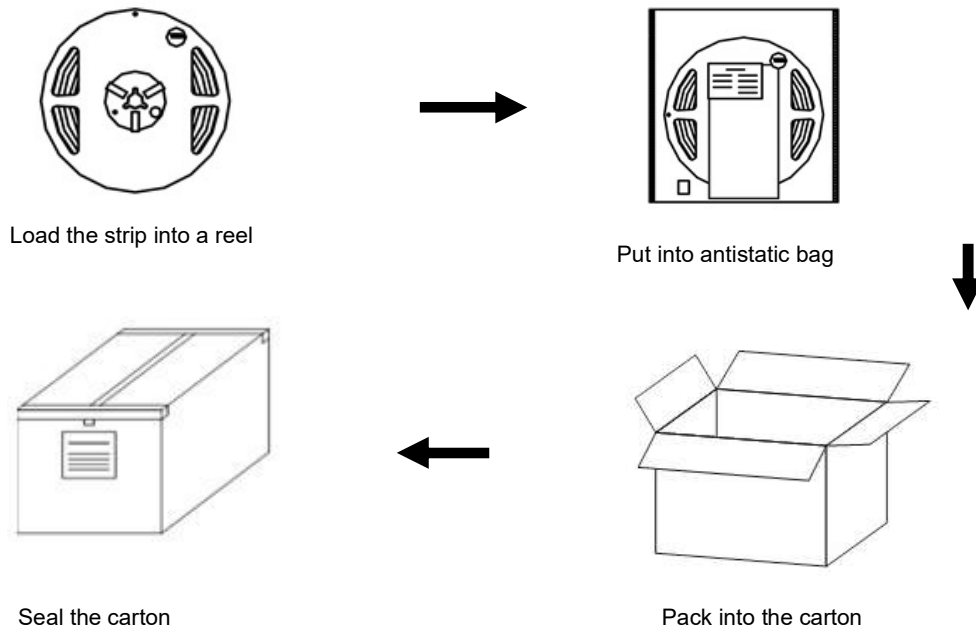
Light Distribution/Iso-illuminance Diagram:



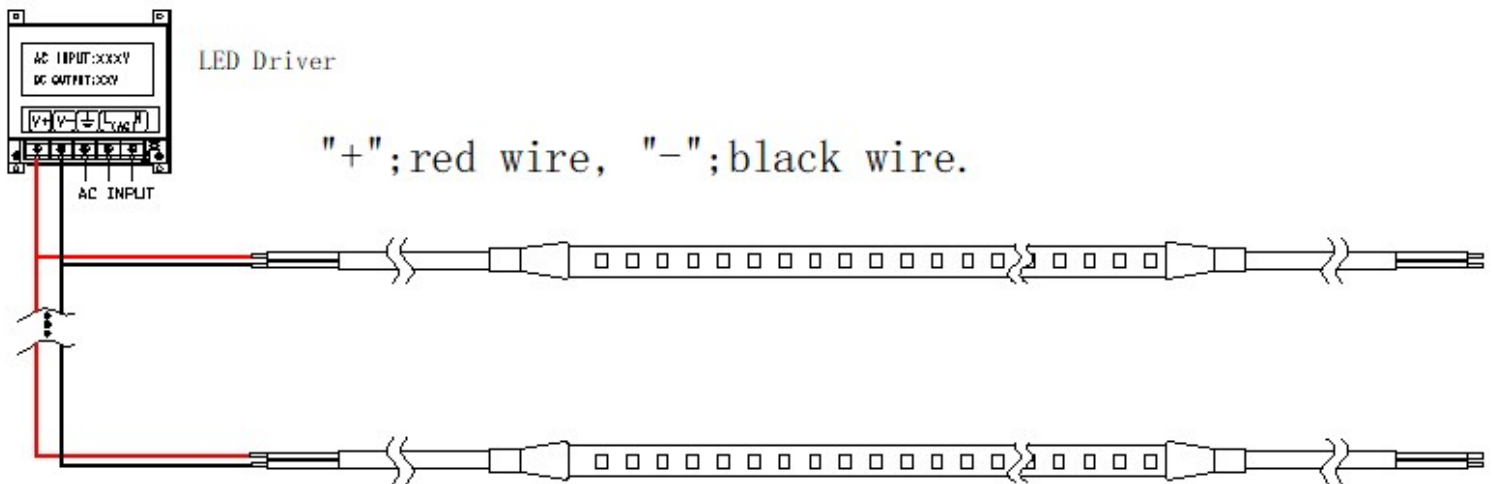
Packaging Information:

| P/N        | Qty<br>(m/reel) | Qty<br>(m/carton) | Total<br>Qty<br>(m) | Total weight |      | Outer carton |        |       |        |        |        |
|------------|-----------------|-------------------|---------------------|--------------|------|--------------|--------|-------|--------|--------|--------|
|            |                 |                   |                     |              |      | length       |        | width |        | height |        |
|            |                 |                   |                     | (Kg)         | (lb) | (mm)         | (inch) | (mm)  | (inch) | (mm)   | (inch) |
| RV08C8TC-A | 5               | 200               | 200                 | 4.1          | 9.02 | 405          | 15.94  | 256   | 10.07  | 238    | 9.37   |

Packaging Diagram:



Connection Instruction:



Note: Please connect the '+' and '-' of strips to those of driver output correctly.

**Parts & Tools:**

◎ **Product Spare Parts**

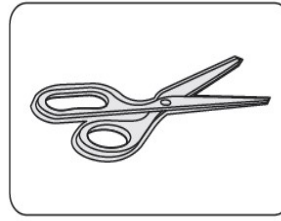


LED Strip

◎ **Self-provided Tools**

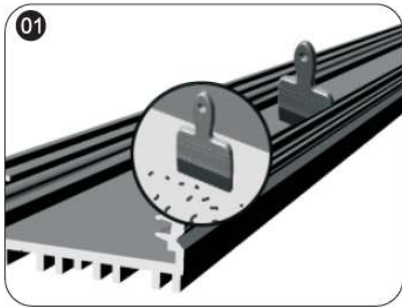


Electrical Drill & Drilling bit

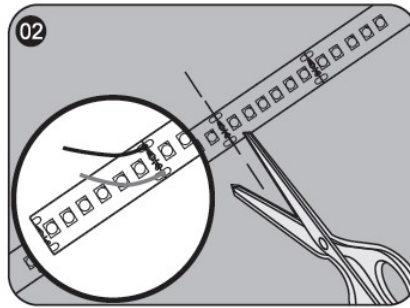


Scissors

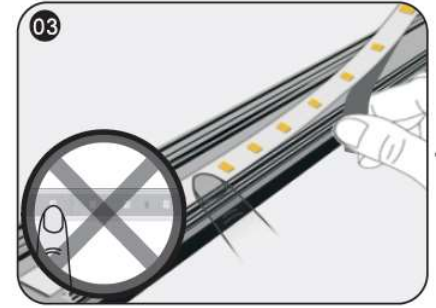
**Installation Steps & Cautions:**



- ◎ Make sure the mounting surface is clean before installation;



- ◎ Calculate the needed length and cut off the extra length along cutting mark if necessary; if need to add wires, please weld them at the next location with printed mark

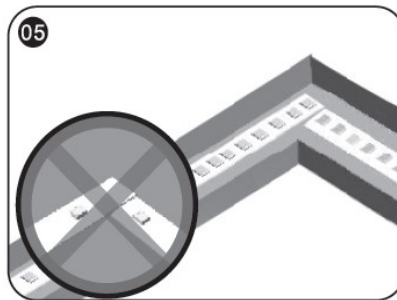


- ◎ While sticking strips, peel off the release paper of the tape step by step. Don't peel off all release paper at a time to avoid getting your strip in a mess.

△Notes: No pressing the bead!



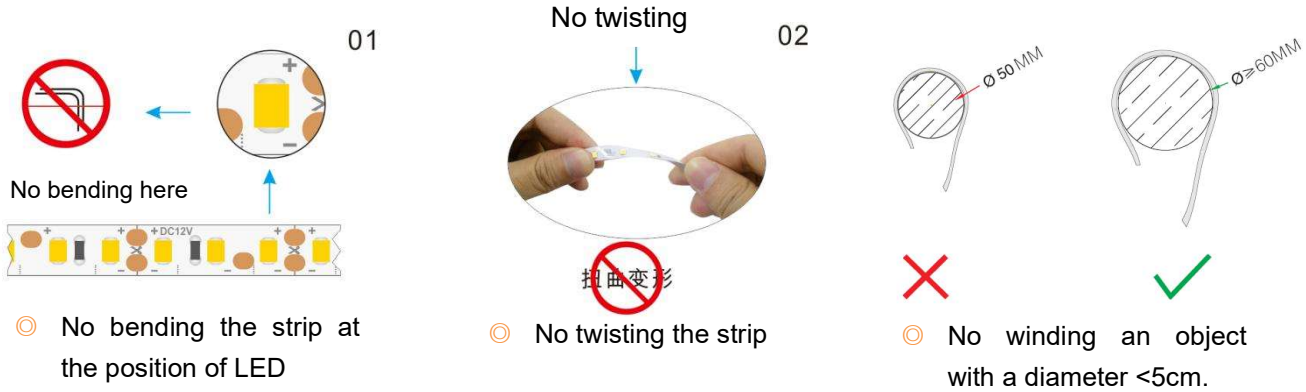
- ◎ Stick Mylar tape to isolate the cutting position from the bottom of profile inner slot to avoid short-circuit;



- ◎ The installation at the corner is shown as the above figure.
- △ Notes: No bending it into right angle; No twisting it to stick on the mounting surface.



- ◎ Connect strip wires to the output terminal of power supply, and dispose with waterproof, insulation, short-circuit and anti-corrosion protection at both the wire joints and the cut section of your strip (if any).



Optional Parts:

| Category           | Part Name       | Figure | Specifications/Description  | Article Number | Color         | IP Grade | Notes |
|--------------------|-----------------|--------|---|----------------|---------------|----------|-------|
| Snap-fit joints    | Snap-fit joints |        | Snap-fit joints /23.5*4*2mm/QJ-KZ-10 (equipped with screws)                             | 207-076        | /             | /        | /     |
| Terminal Connector | Connector       |        | 10mm width, single color, bare board LED strips/ cable-board connector /24.3*14.6*7.7mm | 1CN-07-117     | /             | /        | /     |
|                    | Connector       |        | 10mm width, single color, bard board LED strips/board-board connector/19.55*14.6*7.7mm  | 1CN-07-123     | /             | /        | /     |
|                    | Connector       |        | Connector /board-cable-board /10mm LED strips /16*12.4*4.5mm/QJ-SL-10BXB-2/             | 1CN-07-074     | Red and Black | IP33     | /     |
|                    | Connector       |        | Connector / cable-board /10mm LED strips /16*12.4*4.5mm/QJ-SL-10XB-2/L=15CM             | 1CN-07-073     | Red and Black | IP33     | /     |
|                    | Connector       |        | Connector / board-board /10mm LED strips /20.6*12.4*4.5mm/QJ-SL-10BB-3/                 | 1CN-07-078     | /             | /        | /     |
|                    | Connector       |        | Connector /cable-cable /25*6.7*6.65mm/1P/QJ-XC-JXD-D1                                   | 1CN-07-065     | /             | /        | /     |
|                    | Connector       |        | Connector / cable-cable /25*10.6*6.65mm/2P/QJ-XC-JXD-H2                                 | 1CN-07-066     | /             | /        | /     |
|                    | Connector       |        | Connector / cable-cable /25*12.8*6.65mm/1P/QJ-XC-JXD-T1/                                | 1CN-07-067     | /             | /        | /     |
|                    | Connector       |        | Connector / cable-cable /28.6*16.6*6.65mm/2P/QJ-XC-JXD-T2/                              | 1CN-07-068     | /             | /        | /     |
|                    | Connector       |        | Connector / cable-cable /22*9.5*6mm/2P/QJ-XC-JXD-D2/                                    | 1CN-07-069     | /             | /        | /     |

**Troubleshooting:**

| Malfunctions                         | Possible Causes   | Solutions   |
|--------------------------------------|---|---|
| All LEDs don't work                  | 1. The power supply did not connect to power grid.  | Power on  |
|                                      | 2. No electricity due to short-circuit of external power supply.                                      | Remove the malfunction caused by short-circuit, power on again.   |
|                                      | 3. The wires of strips connect to power supply output reversely.                                      | Check the connecting and ensure the wires are connected correctly.  |
| Part of LEDs don't work              | 1. Part of power supplies do not have output.   | Check the power supply system.  |
|                                      | 2. Part of wires of strips have malfunction.  |   |
|                                      | 3. Particular modules connected reversely.  | Correct connection  |
| Brightness of LEDs is weak or uneven | 1. Overloaded power supply;   | Replace it with higher power supply   |
|                                      | 2. The power loss of power circuit is huge or the power loss of each circuit existing big difference. | Ensure working voltage of strips is within±5%V of rated voltage.<br>1. Shorten the length of wires between the first strip and power supply or replaced with wires with bigger diameter;<br>2. Ensure the cascading qty of string is less than or equal to the allowed maximum cascading qty, and each strip cascading qty is well-balanced.) |
|                                      | 3. Exceed in qty of strips in series  | Lessen the cascading qty for strip and ensure the qty for each electrical circuit is within the maximum cascading qty.  |
| LEDs are blinking                    | 1. Poor contacted in the joints.  | Find out and tackle malfunction immediately.  |
|                                      | 2. Failures in power supply.  | Power on  |

**Declaration:**

- ⊙ If the external flexible cable of light box is damaged, please replace it by its manufacturer or its service agent or qualified person to avoid a hazard.
- ⊙ The specific installation and cautions please refer to the user manual.
- ⊙ The given data in this specification is based on our standard product. There may be existed slight difference compared with actual products.
- ⊙ All Illustrations in this specification are for reference only.
- ⊙ This product is subject to change or modify without prior notice.
- ⊙ RISHANG OPTOELECTRONICS CO., LTD reserves the right of final explanation for this specification.

<End>

**Shenzhen Rishang Optoelectronics Co., Ltd (stock code: 002654)**

Add: Block 2, Hongfa jiateli High-Tech. Park Tangtou Ave., Shiyan, Bao'an Shenzhen Guang Dong, 518108, China.

Tell: +86-755-36988588 E-mail: info@ledlamps.com.cn

Website: [www.ledlamps.com.cn](http://www.ledlamps.com.cn)

Website

WeChat Account

