

The power behind your lights



Model: JLV-12036KA-W  
JLV-24036KA-W

Size: 162\*29\*21mm



### Brief Information

Powermax™  
Technology Inside

## 36W

### Waterproof Power Supply (C.V.)

Model JLV-12036KA-W / JLV-24036KA-W

Input 200-250V AC

Output 12VDC 3A 36W / 24VDC 1.5A 36W

### Product Features

- Compact size, easy for installation
- High transfer efficiency
- Stable constant voltage output
- IP67, both indoor & outdoor use suitable
- 100% full loading, 100% burn-in tested
- Overload/short circuit protection

### MAIN ELECTRICAL DATA

#### AC Input

Input Voltage	200-250V
Input Frequency	50/60Hz
Efficiency (Typ.)	88%
Input Current	230V: 0.29A max.
Inrush Current	40A
Leakage Current	5mA/230VAC

#### DC Output

Output Voltage	12V	:	24V
Rated Current	3A	:	1.5A
Rated Power	36W	:	36W
Ripple & Noise (Max.)	<400mVp-p	:	<400mVp-p
Setup, Rise Time	1500ms/230VAC	:	1500ms/230VAC
Line Regulation	1%	:	1%
Load Regulation	1%	:	1%

### Service Environment

Working Temp.	-20°C~50°C
Working Humidity	20~99%RH
Storage Temp.	-40°C~80°C
Storage Humidity	10~99%RH

### Protection

Overload	Yes, active when loading is over 110~120%, output voltage drops
Short Circuit	Yes, hip-cup mode recovers after fault condition is removed

### Safety

Safety Standard	EN 61347-2-13
Withstand Voltage	I/P-O/P: 3000KVAC/1min/<5mA
Isolation Resistance	I/P-O/P: >100M Ohms / 500VDC /25°C / 70%RH

### Packaging Information

Product Dimension	162*29*21mm
Products Net Weight	170G
PCS/Carton(QTY)	100 PCS
Master Carton Size	39*39*21cm
G. Weight/ Carton	19KG

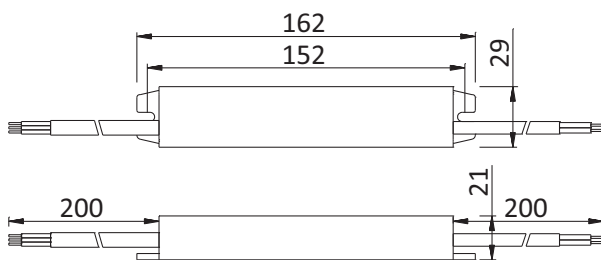
#### Installation Tips:

- Please identify the power supply's input and output before installation.
- Ensure correct output + & - wire connection. Power on after wire connection is done.
- To avoid voltage drop and loading capacity wasting on the output extension wire, please install the power supply to the loading as near as possible, if must use long extension wires, thicker wires and less loading wattage is required.
- The power supply to be installed at good ventilation and cooling environment.

*The power behind your lights*

## Physical Drawing

Unit: mm



### Brief Information

**Powermax™**  
Technology Inside

# 36W

**Waterproof Power Supply (C.V.)**

Model JLV-12036KA-W / JLV-24036KA-W

Input 200-250V AC

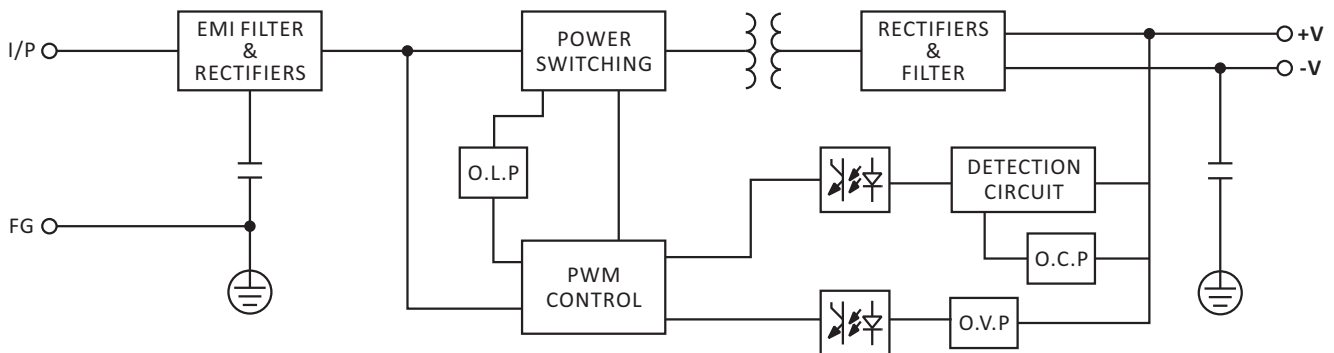
Output 12VDC 3A 36W / 24VDC 1.5A 36W

Input: 3x0.75mm<sup>2</sup> wire, Brown L, Blue N  
200mm length

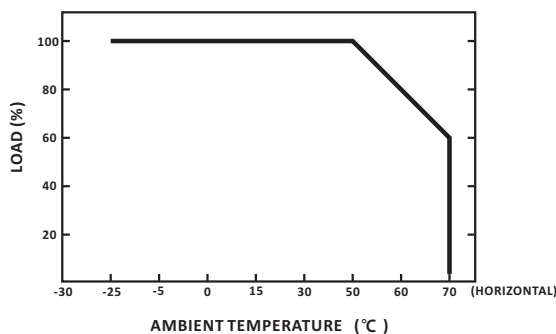
Output: 2x0.75mm<sup>2</sup> wire, Red +, Black -  
200mm length

Housing: Aluminium

## Block Diagram



## Derating Curve



## Static Characteristics

