

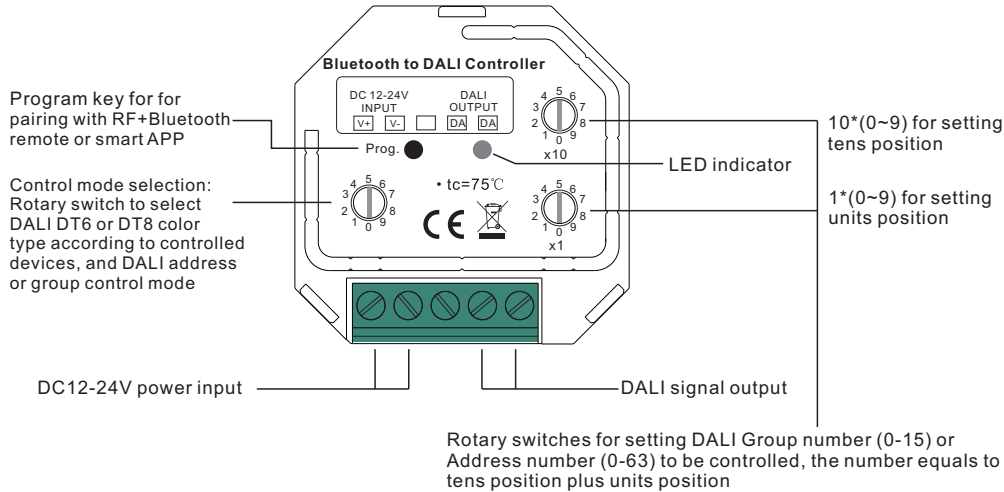
4 in 1 Bluetooth to DALI Controller

09.2411SB.04791



Important: Read All Instructions Prior to Installation

Function introduction



Product Data

Input signal	Bluetooth
Radio frequency	2.4GHz
Output	DALI signal
Power Supply	12-24VDC
DALI Current Consumption	<4mA
Operating temperature	0-40°C
Relative humidity	8% to 80%
Dimensions(LxWxH)	45.5x45x20.3mm

- Bluetooth to DALI converter, bluetooth mesh network
- Bluetooth signal input, DALI signal output, 12-24VDC power supply
- Controlled through both RF remote and smart App, no gateway required
- Easy & quick pairing to the smart App by scanning QR code
- Mesh network, much longer control distance, transmits received signal to neighbor devices
- DALI current consumption less than 4mA
- Controlled DALI device type can be DT6 or DT8, device type selectable by rotary switch
- Controlled DT8 device color type: Tc, XY coordinates, RGBW selectable by rotary switch
- Enables to select different DALI device types to control: RGBCCT(RGBWA), RGBW(RGBW), RGB(XY coordinate), CCT(Tc), DIM, ON/OFF using the smart APP

- Enable to select Group control or Address control to DALI line by rotary switch
- Enable to control 1 DALI Group of devices or 1 DALI Address on DALI line
- Enable to control all devices on DALI line via broadcast
- Enable to select any DALI Group (0-15) or DALI Address (00-63) to control by rotary switches
- Each DALI line can install multiple controllers for multi control points
- Waterproof grade: IP20

Safety & Warnings

- DO NOT install with power applied to device.
- DO NOT expose the device to moisture.

Operation

1. Select DALI Address/Group Control Mode & DT6/DT8 Control Mode:

A rotary switch is used to select Address/Group control mode & DT6/DT8 control mode.

Control Mode Switch Position	0	1	2	3	4	5	6	7
Control Mode Selected	Address & DT6	Group & DT6	Address & DT8 Tc	Group & DT8 Tc	Address & DT8 XY	Group & DT8 XY	Address & DT8 RGBWAF	Group & DT8 RGBWAF

2. Select DALI Address to be Controlled:

- 1) Once an address control mode is selected, use the two rotary switches for setting address number (00-64) to select the DALI address (00-63) you would like to control, the number equals to tens position plus units position.
 - 2) Set the address number as 0, all DALI devices on the circuit will be controlled through broadcast.
 - 3) Set the address number as X except 0 (01-64), control gear with DALI address X-1 will be controlled.
- Note: if X is set as 64, control gears with DALI address 63 will be controlled by the controller.

3. Select DALI Group to be Controlled:

- 1) Once a group control mode is selected, use the two rotary switches for setting group number to select the DALI group (0-15 selectable) you would like to control, the number equals to tens position plus units position.
- 2) This DALI controller enables dimming commands and DT8 commands to be sent to 1 Group of devices on the DALI circuit.
- 3) When group number is set as 0, all DALI devices on the circuit will be controlled through broadcast.
- 4) When group number is set as X except 0 (1-15), the controller will control DALI Group X-1.

Note: Please first group all DALI control gears on the circuit by a master controller.

Please refer to the detailed Group setting table as follows:

Group Number Setting	0	1	2	3	4	5	6	7	8	9	10	11	12	13	14	15
DALI Group Selected	Broadcast	0	1	2	3	4	5	6	7	8	9	10	11	12	13	14

4. Pair/delete the pairing with RF+Bluetooth remote

1. Do wiring according to connection diagram.
2. Pair the converter with RF+Bluetooth remote: please refer to the instruction of the remote that you would like to pair with.
3. Delete the pairing:
 - (1) Wire up the converter correctly, power on.
 - (2) Press and hold down the "Prog." button on the controller for over 3 seconds (or reset power of the converter 8 times continuously if the button is not accessible to factory reset the device) until the indicator flashes, which means well deleted.

Note: factory resetting will restore all configured parameters of the device on the APP to factory default setting.

5. Pair with smart APP

1. Do wiring according to connection diagram.
2. Download EasyThings APP from IOS APP Store or Android Google Play to your smart phone or tablet by searching "EasyThings". (As shown in **Figure 1**)
3. Enable Bluetooth on your smart phone or tablet. (As shown in **Figure 2**)



Figure 1

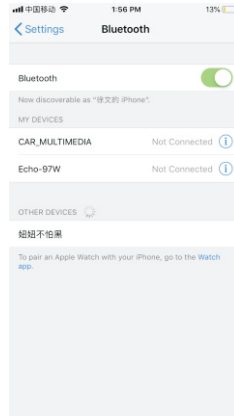


Figure 2

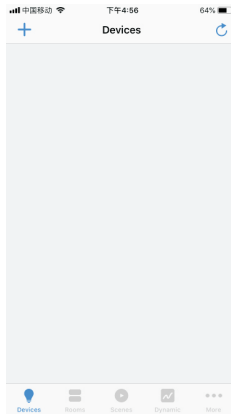


Figure 3

4. Run Easythings APP, tap add button " + " on the APP to add device, then choose "Discover devices" to discover device, then **short press the "Prog." button on the converter twice** (or **reset power of the converter twice continuously**) to set the device into pairing to APP mode. (As shown in **Figure 3 & Figure 4 & Figure 5**)

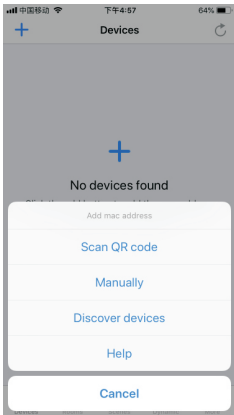


Figure 4

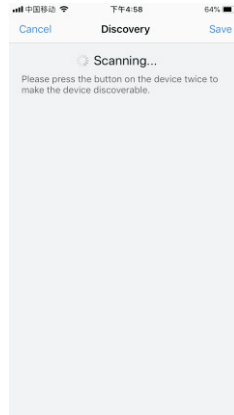


Figure 5

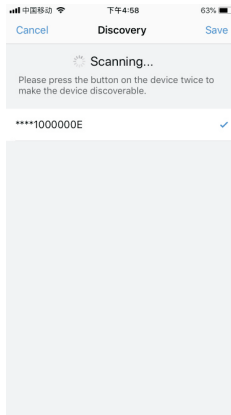




Figure 6

Note: multiple converters can be discovered by the APP at the same time.

5. Once the device/device(s) are discovered, tick the device/device(s) and tap "Save" button, the device/device(s) will be added successfully. (as shown in **Figure 6**)

Configure Light Type (Select A DALI Device Type to Control) Using smart APP

1. Press and hold the device icon to enter into control interface, then tap button "  " at upper right corner to enter into edit page of this device (As shown in **Figure 7 & Figure 8**).
2. Then tap "Light Type" to enter light type configuration page, for this controller, it enables to select 6 different DALI device types to control: **RGB CCT (RGBWA)**, **RGBW (RGBW)**, **RGB (XY coordinate)**, **CCT (Tc)**, **DIM**, **ON/OFF**. Once select a Light Type, tap "  " at upper right corner to confirm, the indicator will flash to indicate successful configuration. (As shown in **Figure 8**)

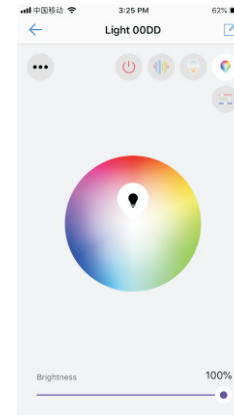


Figure 7

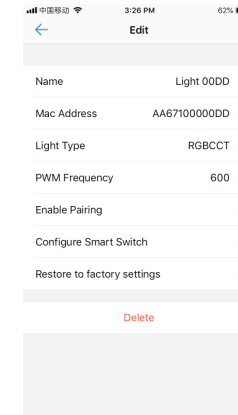
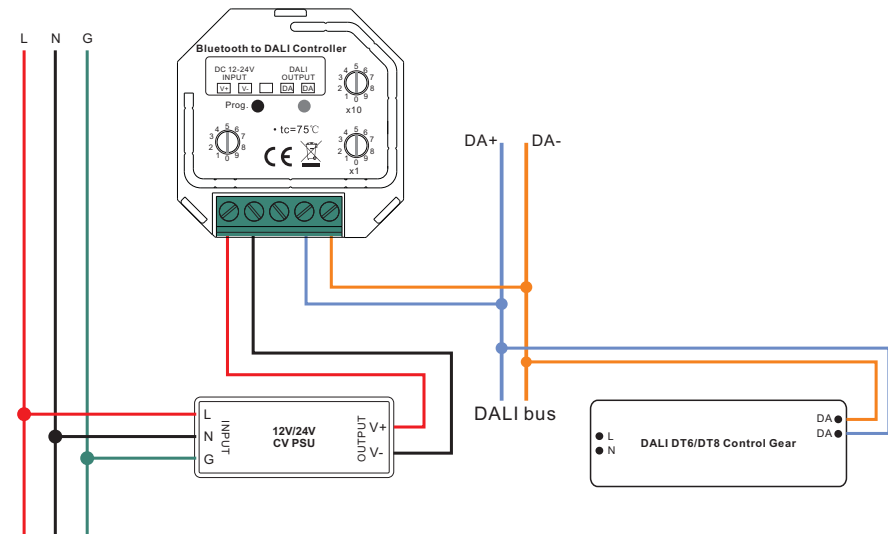


Figure 8

Wiring Diagram



Product Dimension

