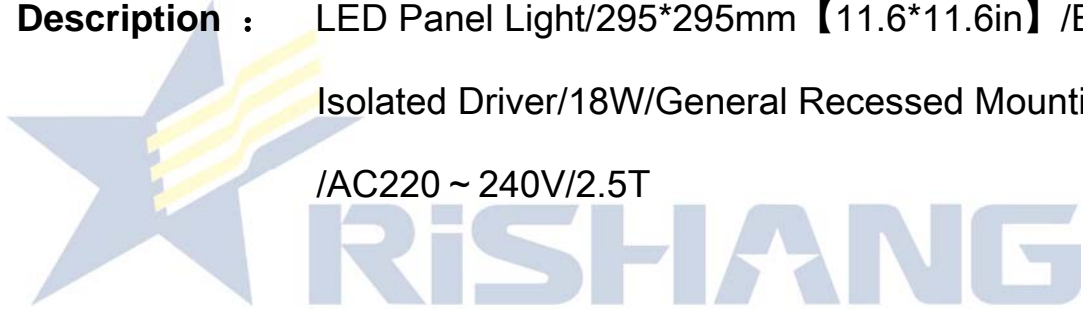


# Specification

**Model** : PLAA1W18Y0

**Description** : LED Panel Light/295\*295mm 【11.6\*11.6in】 /External  
Isolated Driver/18W/General Recessed Mounting  
/AC220 ~ 240V/2.5T



**Prepared by** : \_\_\_\_\_

**Checked by** : \_\_\_\_\_

**Standard Dept** : \_\_\_\_\_

**Approved by** : \_\_\_\_\_

**Issued Status:**  Draft       Published

# Specification

## Product Name:

LED Panel Light

## Model:

PLAA1W18Y0



## Applications

Suitable for household, office, conference hall, corridor indoor lighting etc.

## Features

1. SMD LED 4014 of high efficiency.
2. Uniformity ratio of illuminance  $\geq 0.86$ .
3. Ultra-slim design, thickness of only 10.2mm.
4. Two Optional Colors of Frame: Matt Silver, Creamy White.
5. CCC,ERP,CE and RoHS certified.

## Warranty

3 years.

## Optical and Electrical Parameters:

P/N	Color Temperature (K)	Beam Angle (°)	Luminous Flux (lm)	CRI	Luminous Efficiency (lm/W)	Working Voltage (V AC/Hz)	Rated Power (W)
PLAA1W18Y0	3000	110	1350	$\geq 80$	75	220~240/50	18
	4000	110	1440	$\geq 80$	80	220~240/50	18
	5700	110	1440	$\geq 80$	80	220~240/50	18
	6500	110	1440	$\geq 80$	80	220~240/50	18

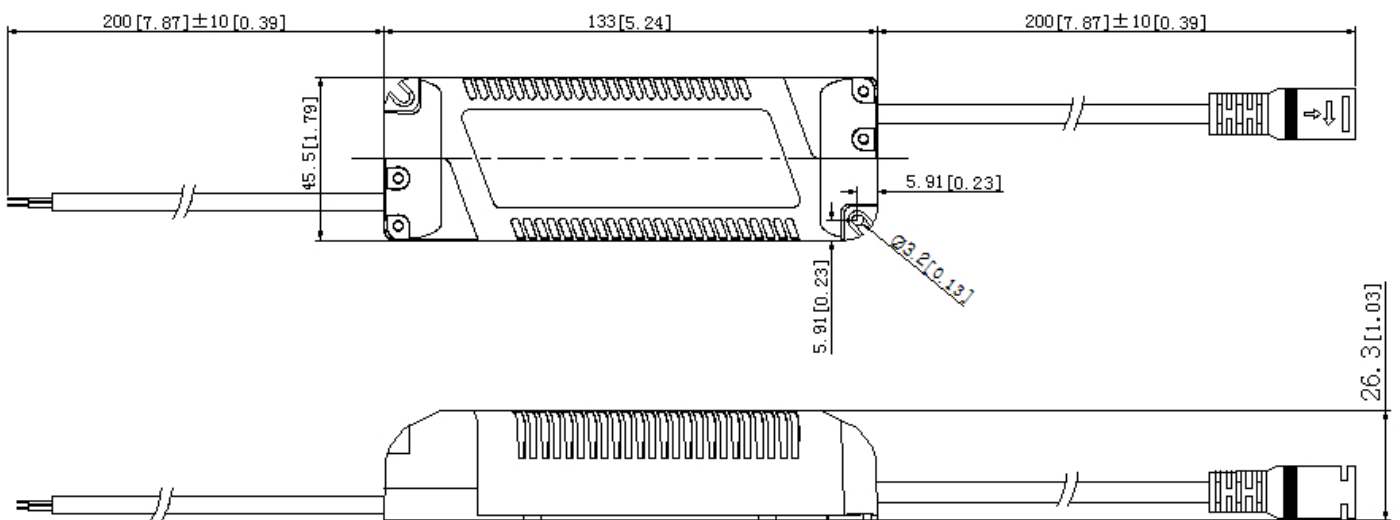
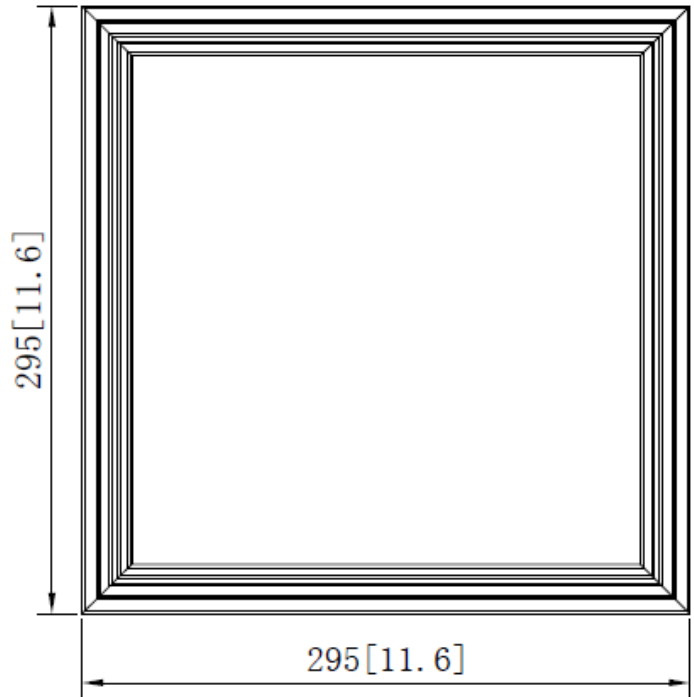
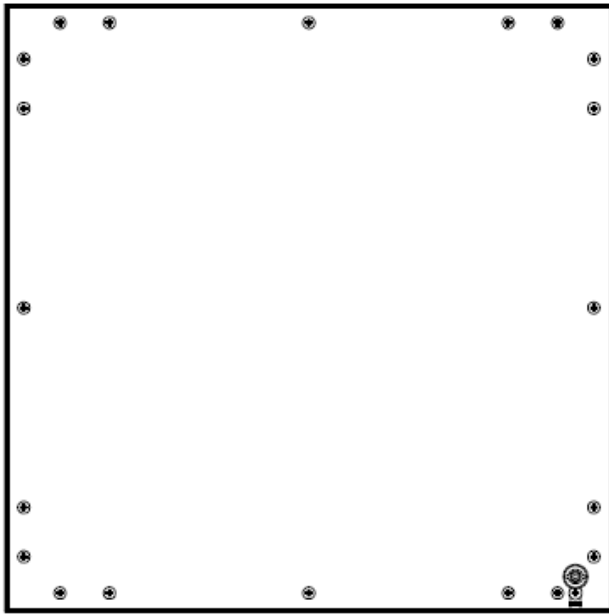
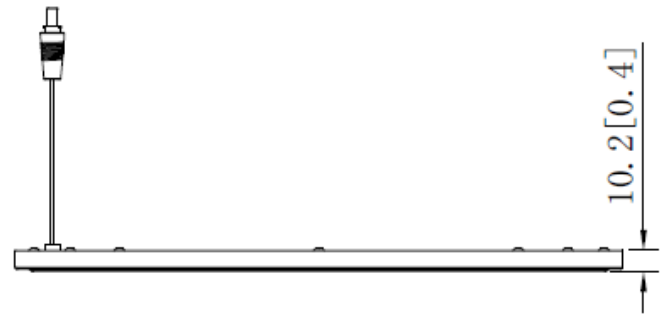
## Others:

P/N	Driver (External or Integrated)	Dimmable (Yes or No)	Class	N.W./PCS		Operating Temperature		Storage Temperature		IP Code
				kg	lb	(°C)	(°F)	(°C)	(°F)	
PLAA1W18Y0	External	No	II	0.94	2.07	-10~+45	+14~+113	-20~+60	-4~+140	IP20

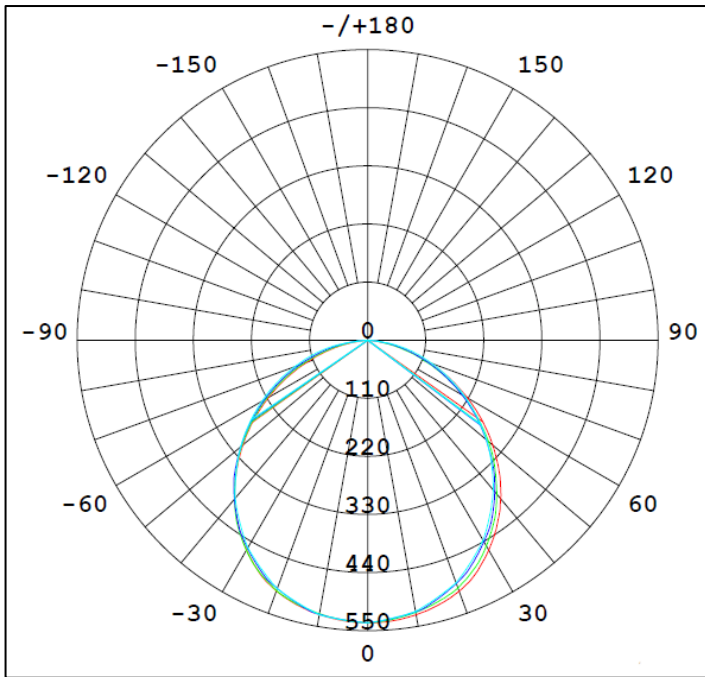
## Notes:

- ① Testing environment temperature:  $25\pm 2^{\circ}\text{C}$  [ $77\pm 3.6^{\circ}\text{F}$ ];
- ② The above data are typical values; the actual data of each single product may different from the typical values. The data subject to change without prior notice in this document.
- ③ The above data includes luminaire and LED driver together.

Profile Drawings(Unit: mm[in]):

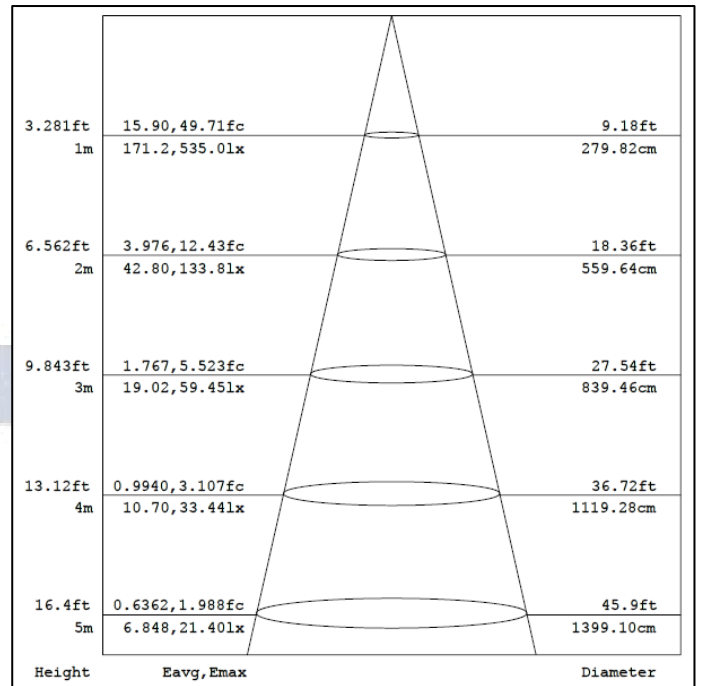


**Light Distribution Curve:**

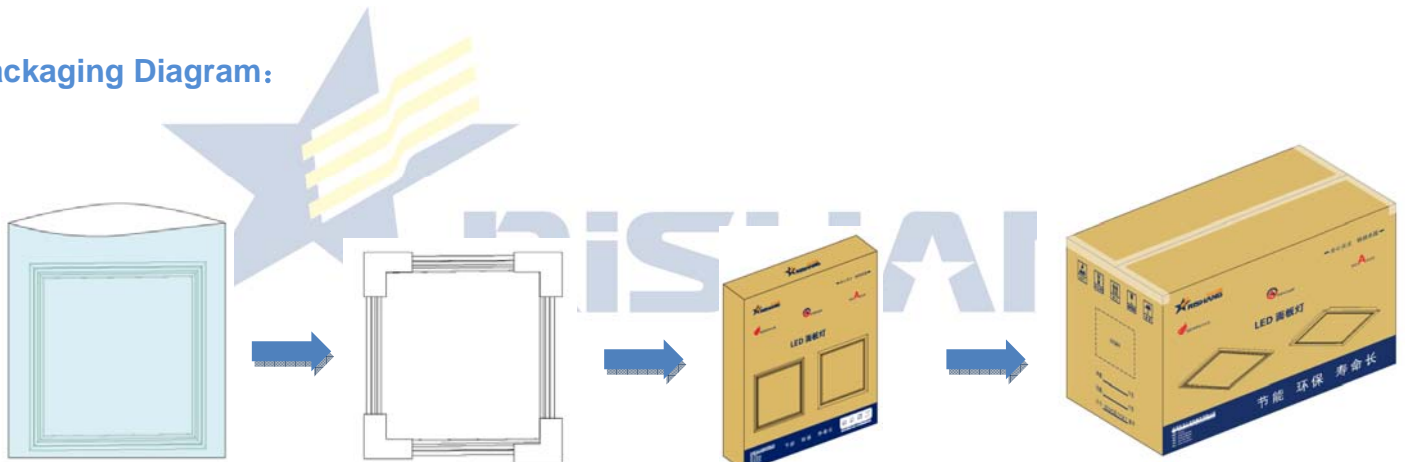


**Lux Diagram:**

(Tested with samples @ Ra=80, 5700K)



**Packaging Diagram:**



Product

EPE Foam

inner box

Outer Carton

**Packaging Information:**

1. Outer Carton Dimension: 490\*375\*335mm; [19.3\*14.76\*13.2 in];
2. inner box Dimension: 325\*30\*365mm; [12.8\*1.18\*14.37 in];
3. 15pcs/outer carton;
4. Net Weight (N.W.) / outer carton: 14.1(1±10%) kg; [31.08 (1±10%) lb];
5. Gross Weight (G.W.) / outer carton: 17.2(1±10%) kg; [37.92 (1±10%) lb];
6. The actual packed quantity and weight subject to change without prior notice.