

# Specification

Prepared	Checked	Approved	Accepted	Confirmed	Approved

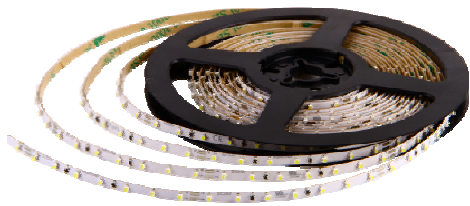
<b>UL</b>	<b>CE</b>	RoHS	<b>2014</b> SMD	<b>126</b> LEDS/M	<b>LED</b> Strip	DC <b>24V</b>	IP <b>20</b>	<b>3</b> Years
-----------	-----------	------	--------------------	----------------------	---------------------	------------------	-----------------	-------------------

**Model:** RD0498VC/RD04C6VC

5000\*4, 490pcs 2014 SMD LEDs, bare board series, constant voltage, DC24V, flexible LED strip/double-ended input (use with profile)

5000\*4, 630pcs 2014 SMD LEDs, bare board series, constant voltage, DC24V, flexible LED strip/double-ended input (use with profile)

**Figure:**



**Features:**

- ⊙ High-strength 2014 SMD LED, highly reliable;
- ⊙ ERP system, one BIN only, good color uniformity;
- ⊙ Anti-oxidation by silver for bonding pad;
- ⊙ Silver-Tin pad design, easy soldering;
- ⊙ Whole new ID, simple and elegant;
- ⊙ CE, ROHS, UL, etc. compliant, guaranteeing high quality.

**Applications:**

- ⊙ Suitable for hotel, shopping mall, home, cabinet, show frame, etc. as main lighting, indirect lighting, cove lighting, contour lighting, decorative lighting, etc

**Warranty:**

- ⊙ 3 years or 13,000 hours, whichever comes first

**Optical and Electrical Parameters:**

P/N	LED Color	CCT (K) WL (nm)	CRI	SDC M	Beam Angle (°)	Luminous Flux (lm/m)	Luminous Efficacy (lm/W)	Working voltage (VDC)	Working current (mA)		Power (W/piece)	
									1m[3 9.37in]	5m[1 96.8in]	1m[ 39.3 7in]	5m[1 96.8in]
RD0498VC	white	1800	≥90	≤5	≥115	380	56	24	280	1125	6.7	27
RD0498VC	white	2200	≥90	≤5	≥115	490	73	24	280	1125	6.7	27
RD0498VC	white	2400	≥90	≤5	≥115	530	79	24	280	1125	6.7	27
RD0498VC	white	2700	≥90	≤5	≥115	540	81	24	280	1125	6.7	27
RD0498VC	white	3000	≥90	≤5	≥115	550	82	24	280	1125	6.7	27
RD0498VC	white	4000	≥90	≤5	≥115	600	90	24	280	1125	6.7	27
RD0498VC	white	5000	≥90	≤5	≥115	600	90	24	280	1125	6.7	27
RD0498VC	white	6500	≥90	≤5	≥115	580	87	24	280	1125	6.7	27
RD04C6VC	white	1800	≥90	≤5	≥115	490	57	24	360	1500	8.6	36
RD04C6VC	white	2200	≥90	≤5	≥115	635	74	24	360	1500	8.6	36
RD04C6VC	white	2400	≥90	≤5	≥115	680	79	24	360	1500	8.6	36
RD04C6VC	white	2700	≥90	≤5	≥115	700	81	24	360	1500	8.6	36
RD04C6VC	white	3000	≥90	≤5	≥115	710	83	24	360	1500	8.6	36

RD04C6VC	white	4000	≥90	≤5	≥115	775	90	24	360	1500	8.6	36
RD04C6VC	white	5000	≥90	≤5	≥115	775	90	24	360	1500	8.6	36
RD04C6VC	white	6500	≥90	≤5	≥115	750	87	24	360	1500	8.6	36

### Others:

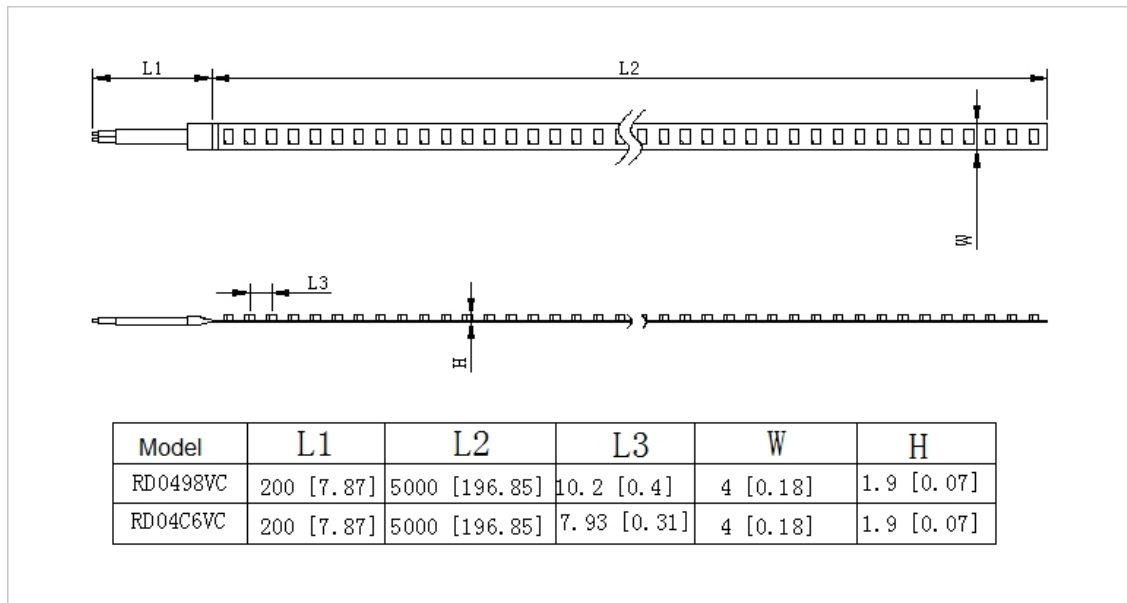
P/N	IP Grade	Operating Temp		Storage Temp		Standard length		Max. cascading length		LED Qty (pcs/m)	Weight	
		(°C)	(°F)	(°C)	(°F)	(m)	(inch)	(m)	(inch)		(g/m)	(lb/m)
RD0498VC	IP20	-25~	-13~	-25~	-13~	5	196.8	5	196.8	98	18	0.04
		+60	+140	+70	+158							
RD04C6VC	IP20	-25~	-13~	-25~	-13~	5	196.8	5	196.8	126	20	0.044
		+60	+140	+70	+158							

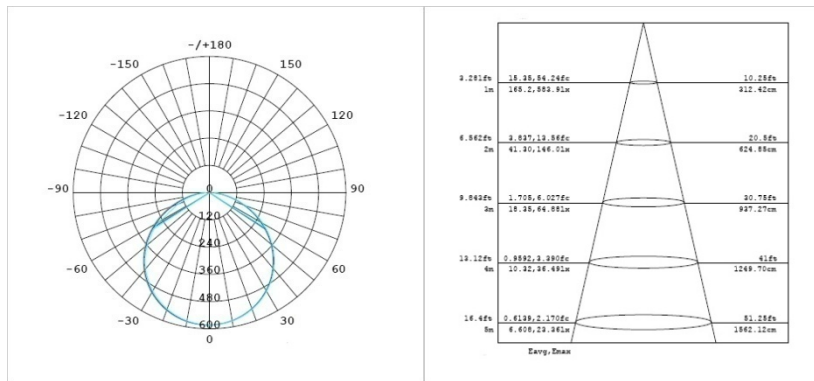
### Notes:

- (1) Testing environment temperature: 25±2°C [77±3.6°F];
- (2) The actual data of each single product may differ from above typical data which are subject to change without prior notice;
- (3) The above "--" means the parameters are not required temporarily.

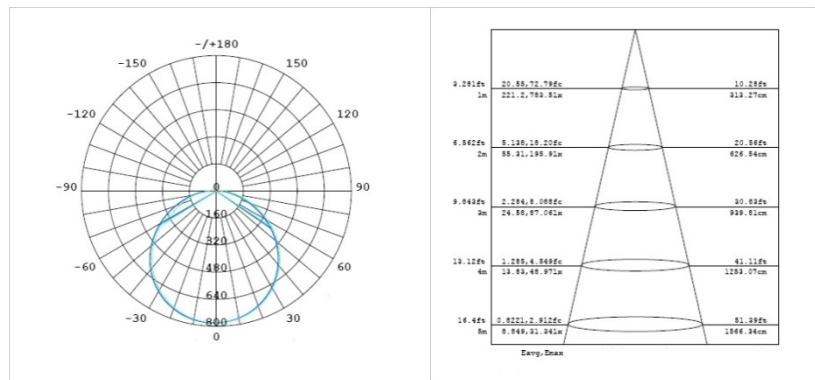
### Profile Drawings:

Unit: mm[inch]



**Light Distribution/Iso-illuminance Diagram:**


RD0498VC

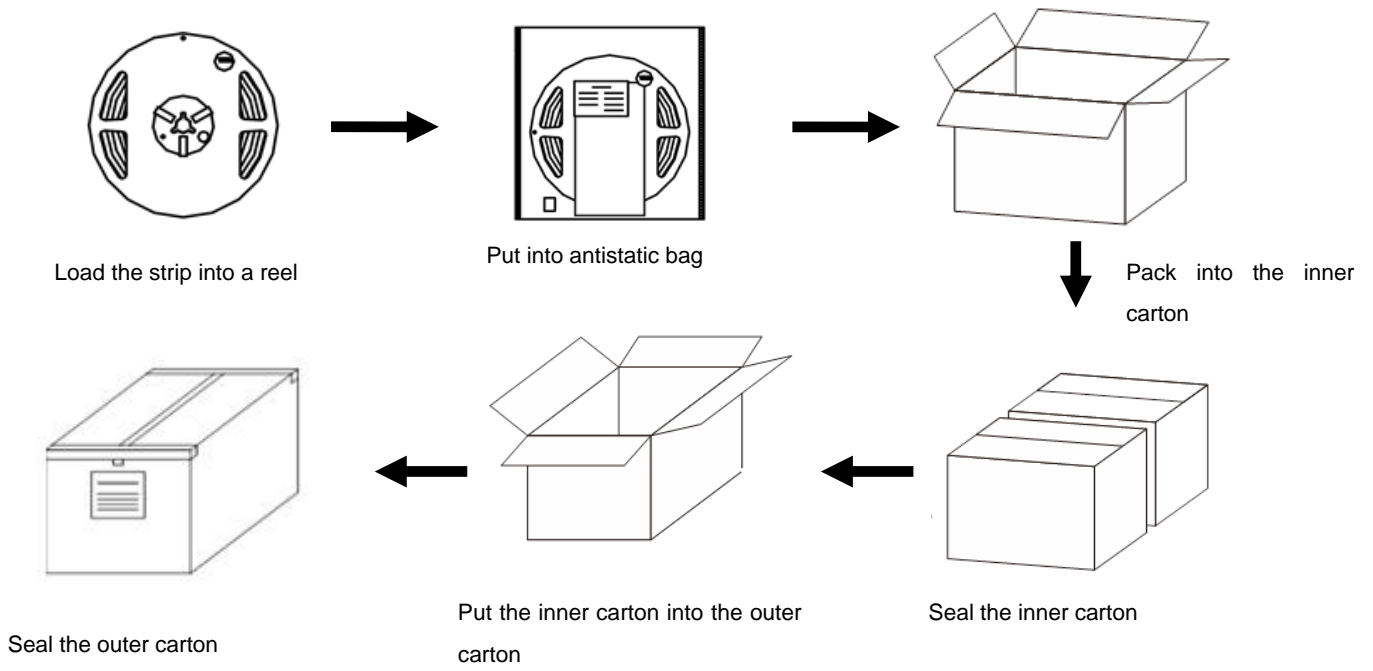


RD04C6VC

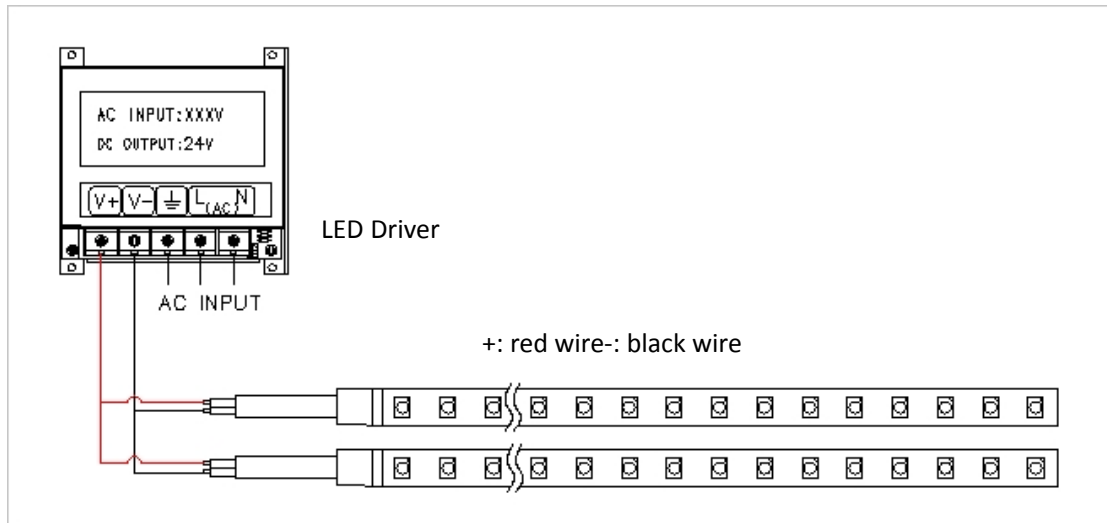
**Packaging Information:**

P/N	Qty (m/reel)	Qty (m/carton)	Total Qty (m)	Total weight		Outer carton size					
						length		width		height	
						(mm)	(inch)	(mm)	(inch)	(mm)	(inch)
RD0498VC	5	100	200	4.0	8.8	398	15.66	256	10.07	238	9.37
RD04C6VC	5	100	200	4.2	9.24	398	15.66	256	10.07	238	9.37

Note: The actual packed quantity and weight might differ from the above data in other packaging. Please refer to the actual product for detailed information.



**Connection Instruction:**



Note: Please connect the '+' and '-' of strips to those of driver output correctly.

**Parts & Tools:**

Product Spare Parts

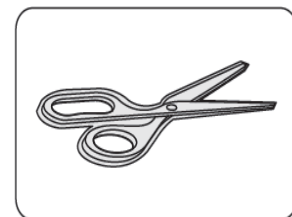
Self-provided Tools



LED Strip

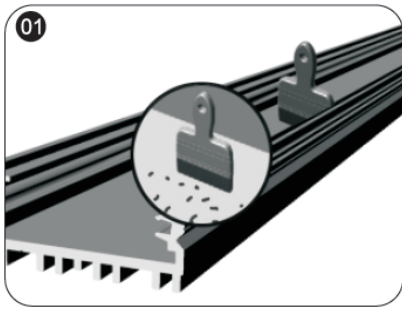


Electrical Drill & Drilling bit

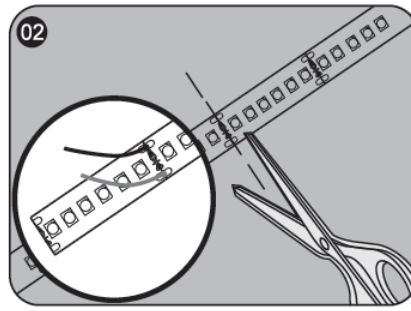


Scissors

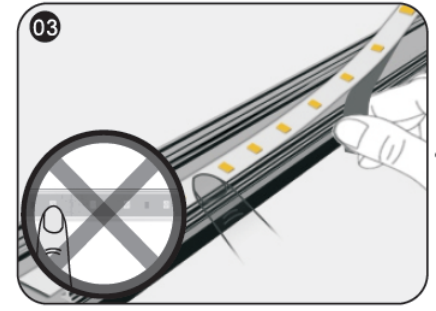
Installation Steps & Cautions:



- Make sure the mounting surface is clean before installation;



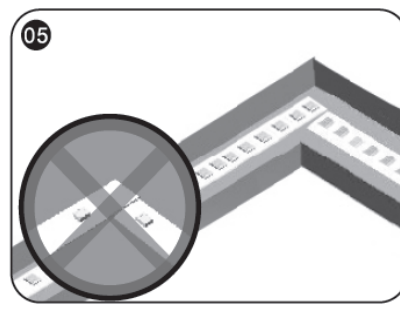
- Calculate the needed length and cut off the extra length along cutting mark if necessary; if need to add wires, please weld them at the next location with printed mark



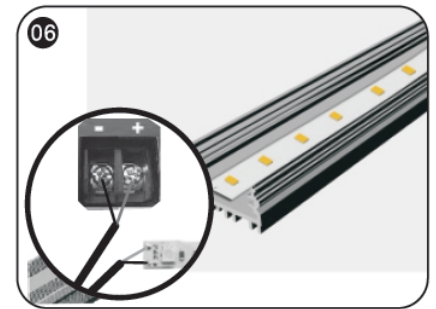
- While sticking strips, peel off the release paper of the tape step by step. Don't peel off all release paper at a time to avoid getting your strip in a mess.
- △Notes: No pressing the bead!



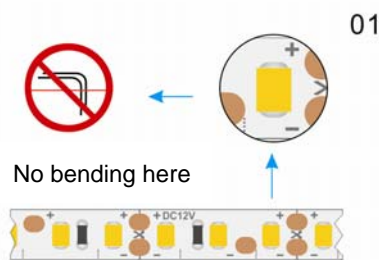
- Stick Mylar tape to isolate the cutting position from the bottom of profile inner slot to avoid short-circuit;



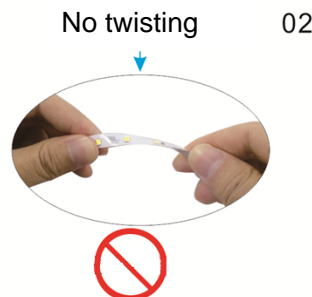
- The installation at the corner is shown as the above figure.
- △Notes: No bending it into right angle; No twisting it to stick on the mounting surface.



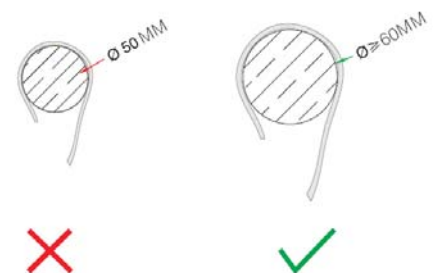
- Connect strip wires to the output terminal of power supply, and dispose with waterproof, insulation, short-circuit and anti-corrosion protection at both the wire joints and the cut section of your strip (if any).



- No bending the strip at the position of LED








- No twisting the strip



- No winding an object with a diameter  $< 5\text{cm}$ .

## Optional Parts:

Category	Part Name	Figure	Specifications/Description	Article Number	Color	IP Grade	Notes
	Connector		Connector /cable-cable /25*6.7*6.65mm/1P/QJ-XC-JXD-D1	1CN-07-065	/	/	/
	Connector		Connector / cable-cable /25*10.6*6.65mm/2P/QJ-XC-JXD-H2	1CN-07-066	/	/	/
	Connector		Connector / cable-cable /25*12.8*6.65mm/1P/QJ-XC-JXD-T1/	1CN-07-067	/	/	/
	Connector		Connector / cable-cable /28.6*16.6*6.65mm/2P/QJ-XC-JXD-T2/	1CN-07-068	/	/	/
	Connector		Connector / cable-cable /22*9.5*6mm/2P/QJ-XC-JXD-D2/	1CN-07-069	/	/	/

## Troubleshooting:

Malfunctions	Possible Causes	Solutions
All LEDs don't work	1. The power supply did not connect to power grid.	Power on
	2. No electricity due to short-circuit of external power supply.	Remove the malfunction caused by short-circuit, power on again.
	3. The wires of strips connect to power supply output reversely.	Check the connecting and ensure the wires are connected correctly.
Part of LEDs don't work	1. Part of power supplies do not have output.	Check the power supply system.
	2. Part of wires of strips have malfunction.	
	3. Particular modules connected reversely.	Correct connection
Brightness of LEDs is weak or uneven	1. Overloaded power supply;	Replace it with higher power supply
	2. The power loss of power circuit is huge or the power loss of each circuit existing big difference.	Ensure working voltage of strips is within $\pm 5\%$ V of rated voltage. 1. Shorten the length of wires between the first strip and power supply or replaced with wires with bigger diameter; 2. Ensure the cascading qty of string is less than or equal to the allowed maximum cascading qty, and each strip cascading qty is well-balanced.
	3. Exceed in qty of strips in series	Lessen the cascading qty for strip and ensure the qty for each electrical circuit is within the maximum cascading qty.
LEDs are blinking	1. Poor contacted in the joints.	Find out and tackle malfunction immediately.
	2. Failures in power supply.	Power on

**Declaration:**

---

- ⊙ If the external flexible cable of light box is damaged, please replace it by its manufacturer or its service agent or qualified person to avoid a hazard.
- ⊙ The specific installation and cautions please refer to the user manual.
- ⊙ The given data in this specification is based on our standard product. There may be existed slight difference compared with actual products.
- ⊙ All Illustrations in this specification are for reference only.
- ⊙ This product is subject to change or modify without prior notice.
- ⊙ RISHANG OPTOELECTRONICS CO., LTD reserves the right of final explanation for this specification.

<End>

**Rishang Optoelectronics Co., Ltd** (stock code: 002654)

Add: Block 2, Hongfa jiateli High-Tech. Park Tangtou Ave., Shiyan, Bao'an Shenzhen  
GuangDong, 518108, China.

Tell: +86-755-33258896 E-mail: [info@ledlamps.com.cn](mailto:info@ledlamps.com.cn)

Website: [www.ledlamps.com.cn](http://www.ledlamps.com.cn)



Website



Official Account

