

Specification

Prepared	Checked	Approved	Accepted	Confirmed	Approved

CE	RoHS	5050 SMD	60 LEDS/M	LED Strip	DC 24V	IP 20	3 Years
-----------	-------------	--------------------	---------------------	----------------------------	-------------------------	------------------------	-------------------

Model: ☉ RN0060AC/RN0060AP-2

5000*10, 300pcs, 5050 SMD LEDs, bare board series, constant voltage 24Vdc, LED flex strip

5000*10, 300pcs 5050SMD LEDs, 24V DC, constant voltage, non-waterproof RGB flexible strip

Features:

- ☉ 5050 SMD LEDs bring high luminous efficacy;
- ☉ Can be cut at the printed marks;
- ☉ CE, RoHS, compliant.

Picture:



Applications:

- ☉ Suitable for indoor use, such as in KTV, shopping mall, cabinet, etc. as edge decorative lighting or contour lighting.

Warranty:

- ☉ 3 years or 13,000 hours, whichever comes first.

Optical and Electrical Parameters:

P/N	LED Color	CCT (K)	CRI	SDCM	Beam Angle (°)	Luminous Flux (lm)	Luminous Efficacy (lm/W)	Working voltage (VDC)	Working current(mA)		Power(w)	
									1m[39.37in]	5m[196.85in]	1m[39.37in]	5m[196.85in]
RN0060AC	White	2700	≥80	≤5	≥115	990	83	24	500	2000	12	48
RN0060AC	White	3000	≥80	≤5	≥115	1010	84	24	500	2000	12	48
RN0060AC	White	4000	≥80	≤5	≥115	1100	92	24	500	2000	12	48
RN0060AC	White	5000	≥80	≤5	≥115	1100	92	24	500	2000	12	48
RN0060AC	White	6500	≥80	≤5	≥115	1065	89	24	500	2000	12	48
RN0060AP-2	Red	620-625	--	--	≥115	130	30	24	180	770	4.3	18.5
	Green	525-530	--	--		345	80		180	770	4.3	18.5
	Blue	465-470	--	--		85	20		180	770	4.3	18.5

Others:

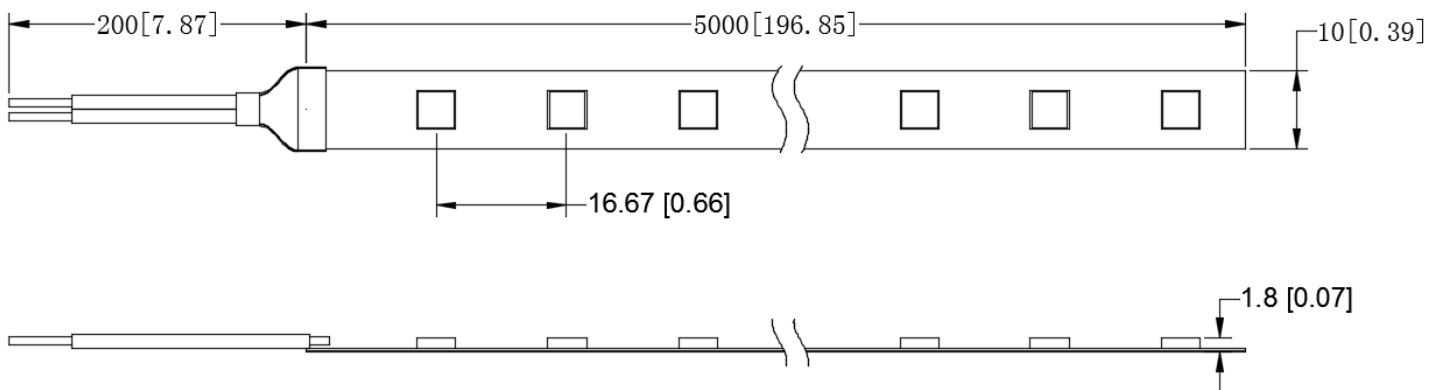
P/N	IP Grade	Operating Temp		Storage Temp		Standard length		Max. cascading length		LED Qty (pcs/m)	Weight	
		(°C)	(°F)	(°C)	(°F)	(m)	(inch)	(m)	(inch)		(g/m)	(lb/inch)
RN0060AC	IP20	-25~+60	-13~+40	-25~+70	-13~+158	5	196.85	5	196.85	60	/	/
RN0060AP-2	IP20	-25~+60	-13~+40	-25~+70	-13~+158	5	196.85	5	196.85	60	/	/

Notes:

- (1) Testing environment temperature: 25±2°C [77±3.6°F]
- (2) The actual data of each single product may differ from above typical data which are subject to change without prior notice
- (3) Bending radius ≥5cm, not suitable for channel letter application;
- (5) The above “-” means the parameters are not required temporarily

Profile Drawings:

Unit: mm[inch]

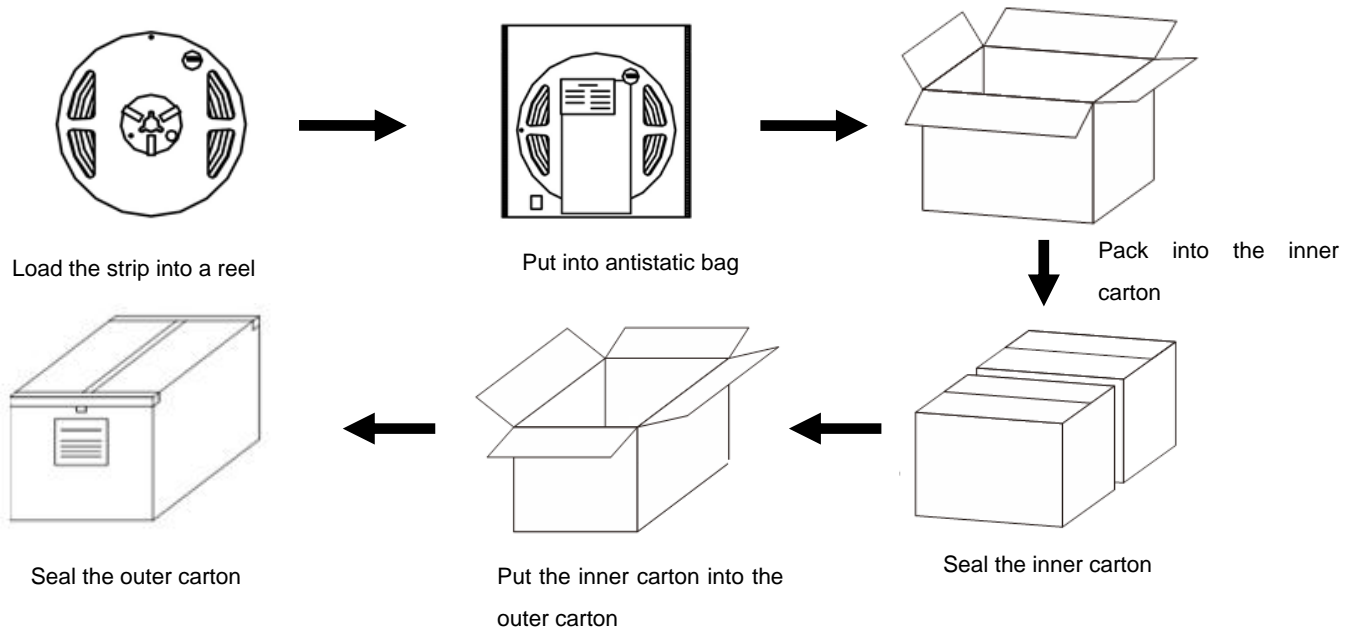


Packaging Information:

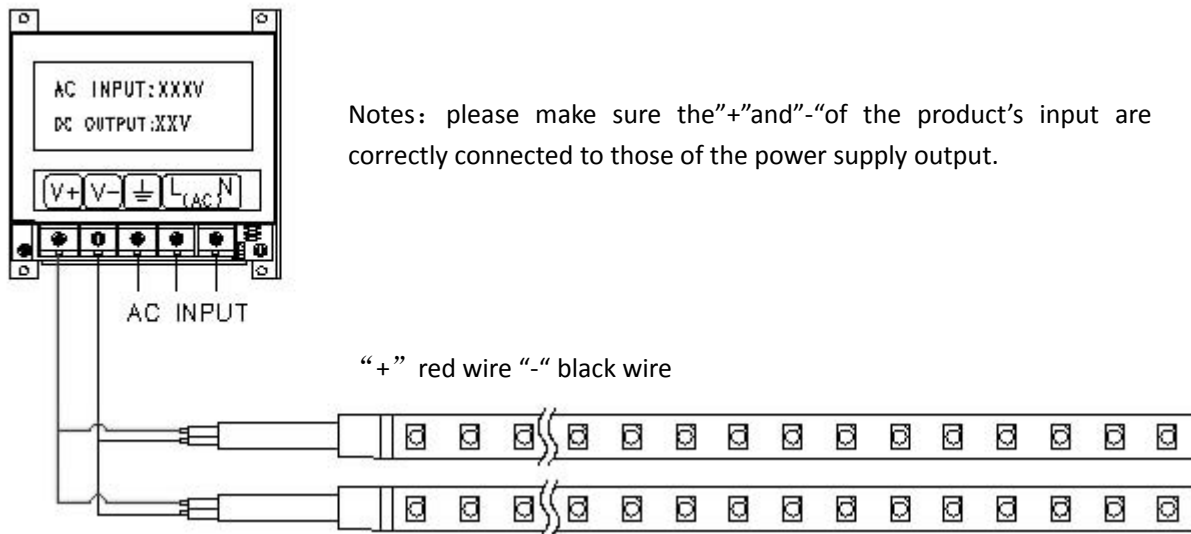
P/N	Qty (m/reel)	Qty (m/carton)	Total Qty (m)	Total weight		Outer carton size					
				(Kg)	(lb)	length		width		height	
						(mm)	(inch)	(mm)	(inch)	(mm)	(inch)
RN0060AC	5	200	200	4.2	9.24	405	15.94	256	10.07	238	9.37
RN0060AP-2	5	200	200	4.2	9.24	405	15.94	256	10.07	238	9.37

Notes: the actual packed quantity and weight might differ from the above data in other packaging ways. Thus please refer to the actual product for detailed information.

Packaging Diagram:



Connection Instruction:



Parts & Tools:

○ **Product Spare Parts**

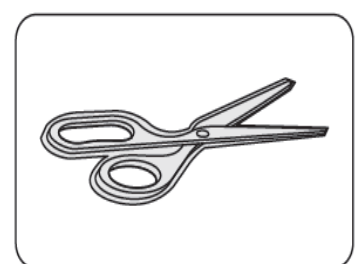


LED Strip

○ **Self-provided Tools**

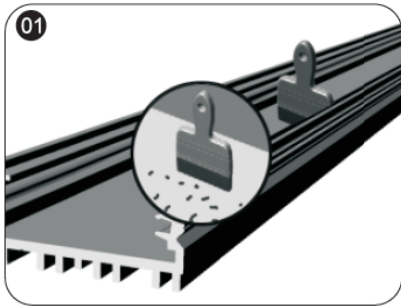


Electronic drill & Drilling bit

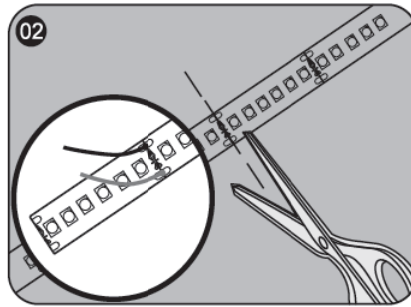


Scissors

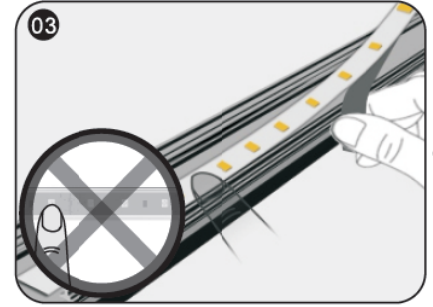
Installation Steps & Cautions:



⊙ Make sure the mounting surface is clean before installation;



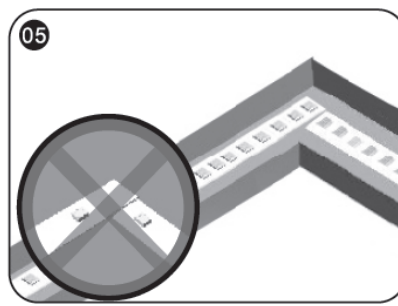
⊙ Calculate the needed length and cut off the extra length along cutting mark if necessary; if need to add wires, please weld them at the next location with printed mark.



⊙ while sticking strips, peel off the release paper of the tape step by step. Don't peel off all release paper at a time to avoid getting your strip in a mess.

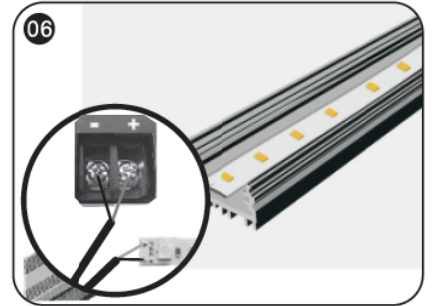


⊙ Stick Mylar tape to isolate the cutting position from the bottom of profile inner slot to avoid short-circuit;

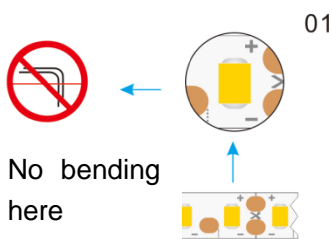


⊙ The installation at the corner is shown as the above figure.

△ Notes: No bending it into right angle; No twisting it to stick on the mounting surface.



⊙ Connect strip wires to the output terminal of power supply, and dispose with waterproof, insulation, short-circuit and anti-corrosion protection at both the wire joints and the cut section of your strip (if any).



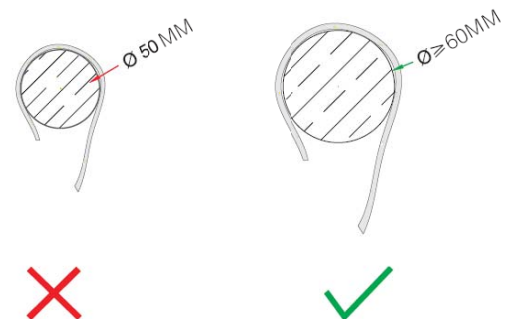
No bending here

⊙ No bend the strip at the position of LED



No twisting

⊙ No twisting the strip



⊙ No winding an object with a diameter <5cm.

Troubleshooting:

Malfunctions	Possible Causes	Solutions
All LEDs don't work	1. The power supply did not connect to power grid.	Power on
	2. No electricity due to short-circuit of external power supply.	Remove the malfunction caused by short-circuit, power on again.
	3. The wires of strip light connect to power supply output reversely.	Check the connecting and ensure the wires are connected correctly.
Part of LEDs don't work	1. Part of power supplies do not have output.	Check the power supply system.
	2. Part of wires of strip light have malfunction.	
	3. Particular strip light connected reversely.	Correct connection
Brightness of LEDs is weak or uneven	1. Overloaded power supply;	Replace it with higher power supply
	2. The power loss of power circuit is huge or the power loss of each circuit existing big difference.	Ensure working voltage of strips is within $\pm 5\%V$ of rated voltage. 1. Shorten the length of wires between the first strip and power supply or replaced with wires with bigger diameter; 2. Ensure the cascading qty of string is less than or equal to the allowed maximum cascading qty, and each strip cascading qty is well-balanced.
	3. Exceed in qty of strip light in series	Lessen the cascading qty for strip and ensure the qty for each electrical circuit is within the maximum cascading qty.
LEDs are blinking	1. Poor contacted in the joints.	Find out and tackle malfunction immediately.
	2. Failures in power supply.	Replace power supply.

Declaration:

- ⊙ If the external flexible cable of light box is damaged, please replace it by its manufacturer or its service agent or qualified person to avoid a hazard.
- ⊙ The specific installation and cautions please refer to the user manual.
- ⊙ The given data in this specification is based on our standard product. There may be existed slight difference compared with actual products.
- ⊙ All Illustrations in this specification are for reference only.
- ⊙ This product is subject to change or modify without prior notice.
- ⊙ RISHANG OPTOELECTRONICS CO., LTD reserves the right of final explanation for this specification.

<End>

Rishang Optoelectronics Co., Ltd (stock code: 002654)

Add: Block 2, Hongfa jiateli High-Tech. Park Tangtou Ave., Shiyan, Bao'an Shenzhen
Guang Dong, 518108, China

Tell: +86-755-36988588 E-mail: info@ledlamps.com.cn

Website: www.ledlamps.com.cn

Website



Wechat Accounts

