

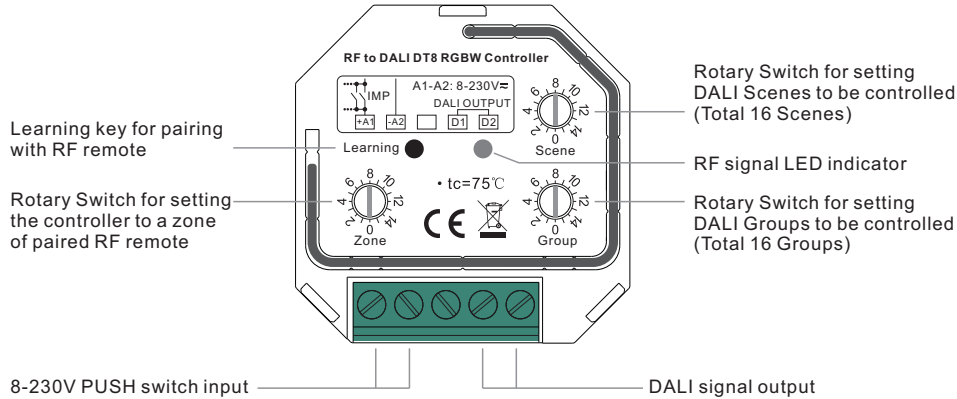
# RF to DALI DT8 Group & Scene Controller for RGBW

09.2411RFRGB.04793



**Important:** Read All Instructions Prior to Installation

## Function introduction



- Enable to control all devices on DALI line via broadcast
- The number of DALI Scenes to be controlled depends on the paired RF remote
- Enable to set starting number (0-15) of DALI groups to be controlled by a rotary switch
- Enable to set starting number (0-15) of DALI scenes to be controlled by a rotary switch
- Built-in 10 color sequences
- Each DALI line can install multiple controllers for multi control points

## Safety & Warnings

- DO NOT install with power applied to device.
- DO NOT expose the device to moisture.

## Operation

### 1. Pair to RF remote and set the controller to a zone of RF remote

#### How to pair:

Turn on the RF remote → Click the "Learning" key on the RF to DALI controller → Touch the color wheel or slider bar (click any button if no color wheel or slider bar) on the remote

→ RF signal LED indicator on the controller and LED light connected with DALI slave controller blink twice to indicate successful pairing.

#### How to set the controller to a zone of RF remote:

During pairing process, you do not have to choose a zone on the RF remote. This can be done by selecting a zone number with a zone rotary switch on the controller, and the rotary switch position can be selected from 0-15. Since RF remote zone number starts with 1, the rotary switch position shall start with number 1. Set the zone rotary switch position at 1, 2, 3, ..., X, the controller will be controlled by a corresponding zone 1, 2, 3, ..., X on the RF remote. The value of X depends on how many zones the remote has. If the remote has only one zone, please set the rotary switch position at 1.

**Note: each controller can pair with max. 8 different RF remotes.**

### 2. Delete the pairing

#### How to delete the pairing:

Press and hold down the "Learning" key on the controller → RF signal LED indicator and LED light connected with DALI slave controller blink once to indicate pairing deleted successfully.

### 3. Set starting number of DALI Group to be controlled via rotary switch: (0-15 selectable)

- This DALI controller enables dimming commands and DT8 commands to be sent to 1 Group of devices on the DALI circuit. A rotary switch is used to select Groups you would like to control and set the starting Group number, and total 16 Groups (0-15) can be selected.
- When the rotary switch arrow position is at 0, all DALI devices on the circuit are controlled through broadcast.
- When the rotary switch arrow position is at X except 0 (1-15), the controller controls devices in DALI Group X-1.

**Please refer to the detailed Group setting table as follows:**

Rotary Switch Position	0	1	2	3	4	5	6	7	8	9	10	11	12	13	14	15
DALI Group Selected	Broadcast	0	1	2	3	4	5	6	7	8	9	10	11	12	13	14

**Note: the DALI slave controllers on the circuit shall be assigned to one or more DALI Groups by a DALI master first.**

### 4. Set starting number of DALI Scenes to be controlled via rotary switch: (0-15 selectable)

- This DALI controller enables Scene selection commands to be sent to the DALI circuit. A rotary switch is used to set the starting number of DALI Scenes to be controlled, and total 16 Scenes (0-15) can be selected. Assume that the rotary switch position is at X (0-15), the starting DALI Scene to be controlled will be DALI Scene X.

## Product Data

Radio frequency	869.5/434/916.5MHz
Output	DALI signal
Power Supply	Powered by DALI Bus
Current Consumption	8mA
Operating temperature	0-40°C
Relative humidity	8% to 80%
Dimensions(LxWxH)	45.5x45x20.3mm

- RF to DALI Group & Scene Controller
- Receives RF signal and outputs DALI signal to DALI line
- Comply to DALI standard protocol IEC 62386-102, IEC 62386-207, IEC 62386-209
- DT8 for color changing, color type: RGBW, compatible with universal DALI masters that support DT8 commands
- DALI Bus Powered
- Can be controlled by RF remotes and compatible with a variety of RGBW RF remotes
- Can be set to any zone of the paired RF remote by a rotary switch
- Can be WiFi controlled while working with a WiFi-RF converter
- Can be controlled by universal 8V-230V input single wire PUSH switch
- Enable to control 1 DALI Group of devices

- The number of scenes which can be controlled depends on the paired RF remote. Assume that the number of scenes can be controlled by the paired RF remote is Y (with scene buttons S1, S2, S3, ....., SY), and the starting DALI Scene to be controlled is X. Then S1 will control DALI Scene X, S2 will control DALI Scene X+1, S3 will control DALI Scene X+2, ....., SY will control DALI Scene X+(Y-1).

Please refer to the detailed Scene setting table as follows (Assume that the RF remote can control 4 scenes, which means Y=4):

Rotary Switch Position	0	1	2	3	4	5	6	7	8	9	10	11	12	13	14	15
DALI Scene assigned to S1	0	1	2	3	4	5	6	7	8	9	10	11	12	13	14	15
DALI Scene assigned to S2	1	2	3	4	5	6	7	8	9	10	11	12	13	14	15	0
DALI Scene assigned to S3	2	3	4	5	6	7	8	9	10	11	12	13	14	15	0	1
DALI Scene assigned to S4	3	4	5	6	7	8	9	10	11	12	13	14	15	0	1	2

**Note:** the light value of DALI Scenes stored in the slave controllers can be configured by a DALI master first, then they can be recalled by the RF remote. Without a DALI master, please first save scenes with the RF remote, and then they can be recalled.

#### 5. Controlled by the Paired RF Remote

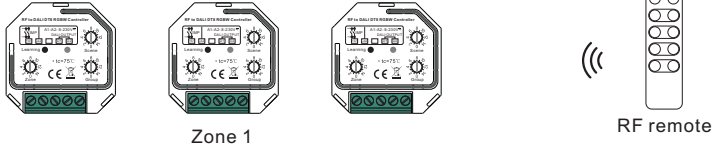
Please refer to the user manual of corresponding RF remote that is paired to the controller for detailed operation instructions. Depending on the DALI Group setting, the RF remote may control all devices on the circuit via broadcast or control devices in a selected DALI Group. When setting the controller to a zone on RF remote by rotary switch, please select corresponding zone number on the remote to control.

#### 6. Controlled by PUSH switch

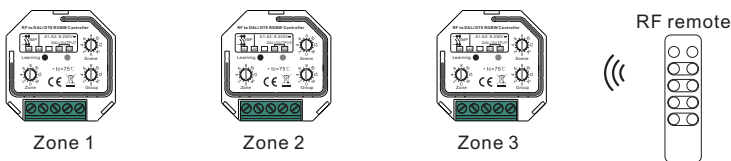
While connected with a PUSH switch, click the button to turn ON/OFF, press and hold down the button to increase/decrease light intensity. Depending on the DALI Group setting, the PUSH switch may control all devices on the circuit via broadcast or control devices in a selected DALI Group.

**If you use multiple receivers, you have two choices:**

Option 1: have all the receivers in the same zone, like zone 1

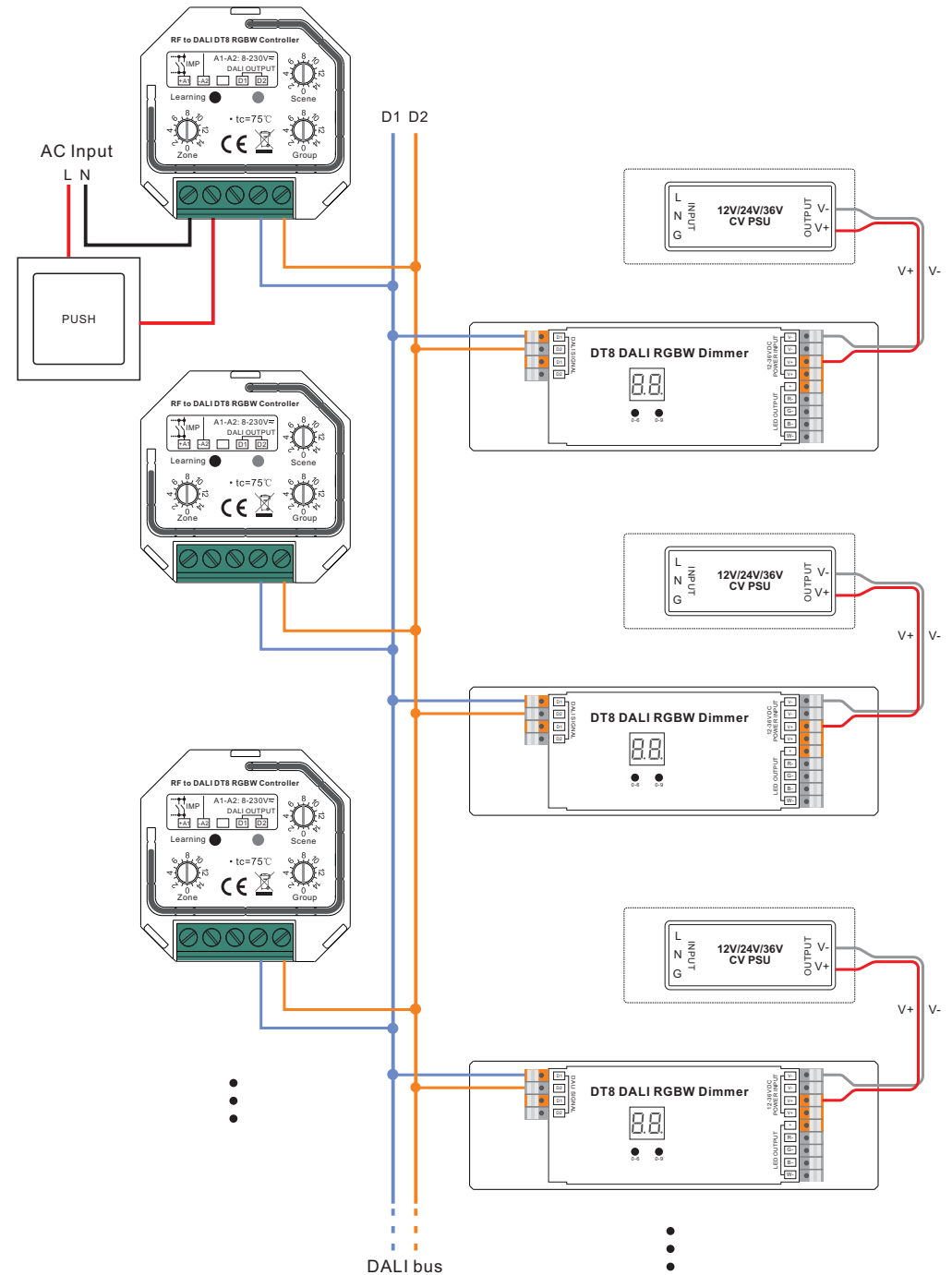


Option 2: have each receiver in a different zone, like zone 1, 2, 3 or 4



### Wiring Diagram

(1) With Push



(2)With Push LV

