

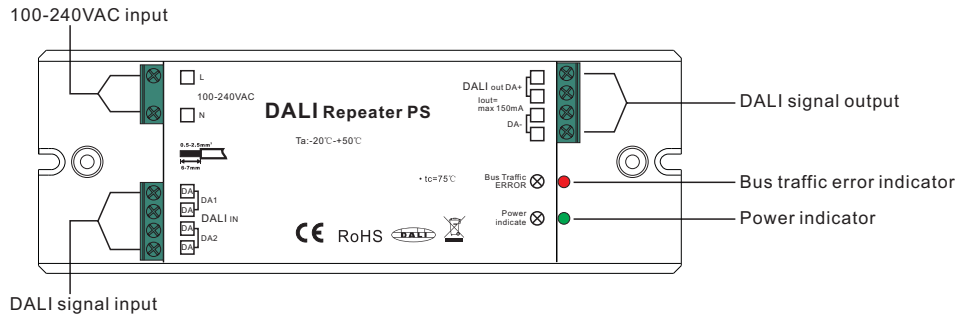
# DALI Repeater PS

09.2400AMP.04069



**Important:** Read All Instructions Prior to Installation

## Function introduction

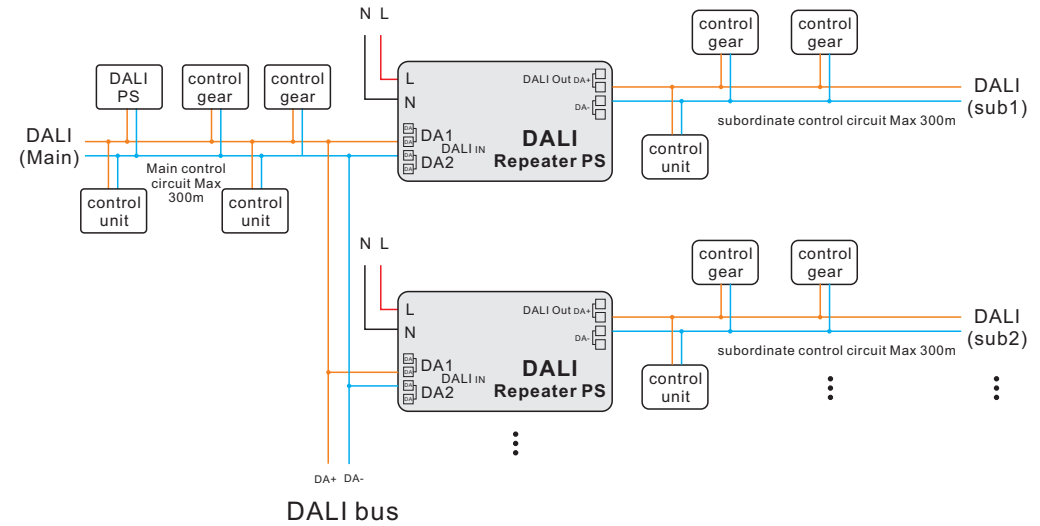


## Specifications

Power supply	100V-240V AC
Typ. current consumption DALI IN	< 2mA
Typ. current consumption DALI OUT	Integrated DALI PS: up to 150mA
Input/output	DALI/DALI
Wire cross section	0.5 ... 1.5 mm <sup>2</sup>
Mounting	Remote ceiling
Dimension	170x59x29mm
Ambient temperature	-20°C to +50°C
Protection class	IP20

- DALI repeater with integrated DALI power supply.
- Device to enhance the maximum DALI cable length from 300m up to 600m.
- Enhancement and Transmission of the DALI-signals (bidirectional).
- Galvanic separation between DALI circuits.
- Either radially arranged network layout or cascaded system mounting operated with single master.
- restricted cascading (Series wiring) of multiple repeaters in multi-master operating mode
- The maximum amount of DALI-devices in the total network is limited to 64, the devices can be divided on the subordinate circuits at will.
- For each subordinate DALI circuits no extra DALI power supply required

## Wiring diagram



## Note:

- Typical application: Dali commands from any control are transmitted in all DALI-lines, on the output of a DALI Repeater with integrated PS no DALI PS is needed.
- Further DALI devices may be connected to the DALI control unit, e.g. DALI ECG or further repeaters. For maximum number of DALI devices please refer to the instructions of the control unit.
- Maximum wire length at the output of the DALI Repeater is 300 m (in total over both outputs).
- Both outputs of the DALI Repeater PS are electrically interconnected. To simplify the connection the layout is done by pairs.
- Outputs of different DALI Repeater PS may not be interconnected with each other.
- In total over both outputs a maximum number of 64 DALI ECG or DALI REPEATER PS may be connected.

## Product Dimension

