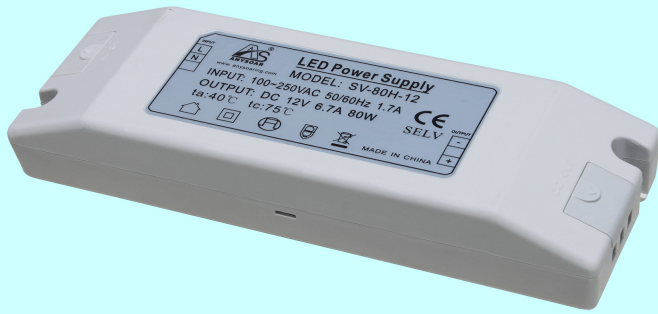


### ■ Pictures



### ■ Features

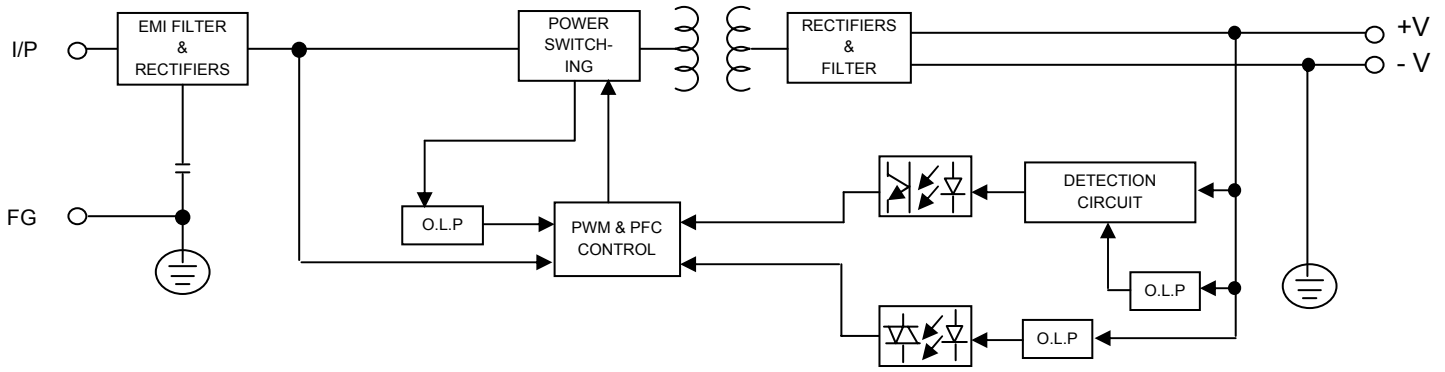
- Protections: Short circuit /Overload /Over voltage / Over temperature
- Cooling by free air convection
- Fully isolated plastic case
- 100% full load burn-in test
- High reliability
- Suitable for LED lighting and moving sign applications
- 5 years warranty (Note.6)

### ■ General Specification (Please refer to [www.anysoaring.com](http://www.anysoaring.com) for detail spec.)

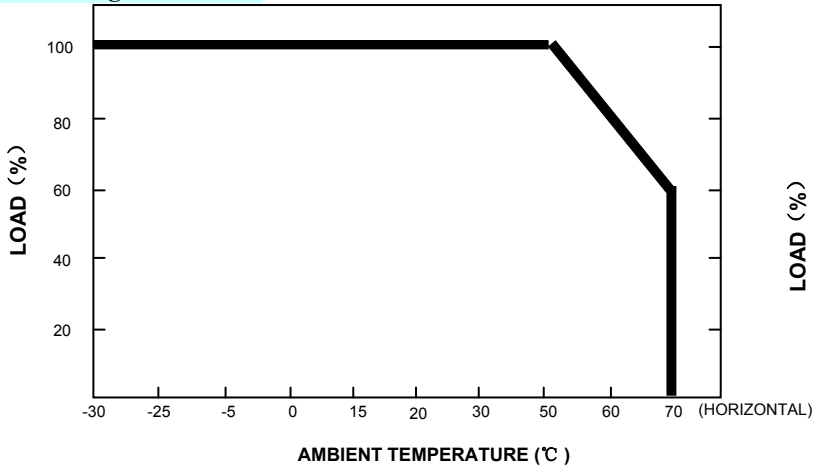


MODEL		SV-80H-12	SV-80H-24				
OUTPUT	DC VOLTAGE	12V	24V				
	RATED CURRENT	6.7A	3.3A				
	CURRENT RANGE	0~6.7A	0~3.3A				
	RATED POWER	80W	80W				
	RIPPLE & NOISE (max.) Note.2	150mVp-p	150mVp-p				
	VOLTAGE TOLERANCE Note.3	±3%					
	LINE REGULATION	±1%					
	LOAD REGULATION	±2%					
	SETUP, RISE TIME	1200ms, 80ms / 230VAC      1200ms, 80ms / 115VAC at full load					
HOLD UP TIME (Typ.)	60ms / 230VAC      30ms / 115VAC at full load						
INPUT	VOLTAGE RANGE	90~265VAC      127~370VDC					
	FREQUENCY RANGE	47~63Hz					
	EFFICIENCY(Typ.)	86%	85%				
	INRUSH CURRENT(max.)	COLD START 40A/230VAC					
	LEAKAGE CURRENT	0.5mA / 240VAC					
PROTECTION	OVER CURRENT	95%~130% Protection type : Constant current limiting, recovers automatically after fault condition is removed					
	OVER VOLTAGE	13~16V	27~34V				
	OVER TEMPERATURE	90°C±10°C Protection type : Shut down o/p voltage, re-power on to recover					
ENVIRONMENT	WORKING TEMP.	-30 ~ +70°C (Refer to output load derating curve)					
	TEMP. COEFFICIENT	±0.03%/°C (0 ~ 50°C)					
	VIBRATION	10 ~ 500Hz, 2G 10min./1cycle, period for 60min. each along X, Y, Z axes					
SAFETY & EMC	SAFETY STANDARDS						
	WITHSTAND VOLTAGE	I/P-O/P:3KVAC					
	ISOLATION RESISTANCE	I/P-O/P:100M Ohms/500VDC					
	EMI CONDUCTION & RADIATION						
	HARMONIC CURRENT						
OTHERS	EMC IMMUNITY						
	MTBF	50Khrs min. MIL-HDBK-217F (25°C )					
	DIMENSION (mm)	190*65*39mm(L*W*H)					
	PACKING (kg)	0.34kg					
NOTE	1. All parameters NOT specially mentioned are measured at 230VAC input, rated load and 25 of ambient temperature. 2. Ripple & noise are measured at 20MHz of bandwidth by using a 12" twisted pair-wire terminated with a 0.1uf & 47uf parallel capacitor. 3. Tolerance : includes set up tolerance, line regulation and load regulation. 4. Derating may be needed under low input voltage. Please check the derating curve for more details. 5. The power supply is considered as a component that will be operated in combination with final equipment. 6.Direct connecting to LEDs is suggested,but is not suitable for using additional drivers. 7. 5 years warranty is guaranteed for operating ambient temperature no higher than 68°C.						

### Block Diagram



### Derating Curve



### Static Characteristics

