

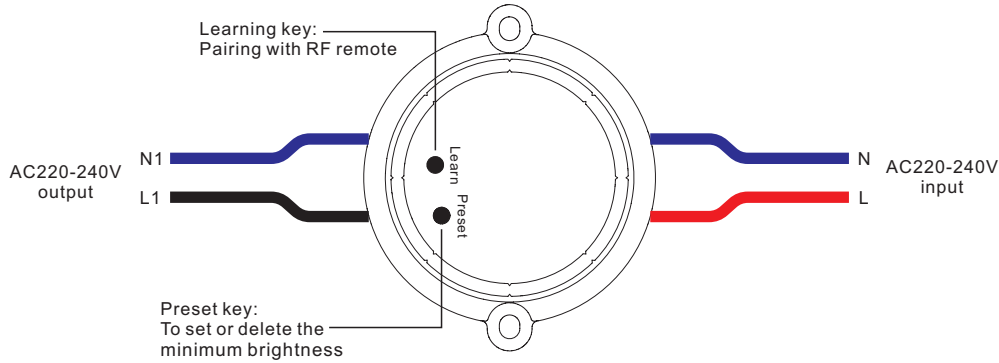
AC Triac RF Dimmer

09.09SAC.04016



Important: Read All Instructions Prior to Installation

Function introduction



Product Data

Input Voltage	Output Voltage	Output Current	Output Power	Size(Φxh)
220-240VAC	220-240VAC	1x0.68A max	1x100W max	46.5x19.5mm

- Radio Frequency : 868mhz
- Waterproof grade: IP20

- Safe and reliable full isolation design
- Triac dimmable and Mosfet dimmable
- Leading edge dimming
- Great compatibility with a variety of remote controls
- Innovative minimum brightness setting function
- To dim and switch single color dimmable LED lamps, traditional incandescent and halogen lights

Safety & Warnings

- DO NOT install with power applied to device.
- DO NOT expose the device to moisture.

Operation

Do wiring according to connection diagram.

Pair RF Receiver with RF remote:

1. Connect and wire up the RF receiver correctly, power on.
2. Turn on the remote, click the **“Learn”** key on receiver, immediately click a zone number to pair the receiver to the specified zone if the remote is a multi-zone controller (if it is a single zone remote, this step is unnecessary), then touch the color wheel or slider bar on the remote (if the remote does not have color wheel or slider bar, click or touch any keys), the connected led light on receiver flickers twice, which means well paired.

Note: one receiver can be paired with max 8 remote controls.

Delete the pairing:

1. Wire up the RF receiver correctly, power on.
2. Hold down the **“Learn”** key on receiver for over 3 seconds until the connected led light on receiver flickers twice, which means well deleted.

Setting minimum brightness:

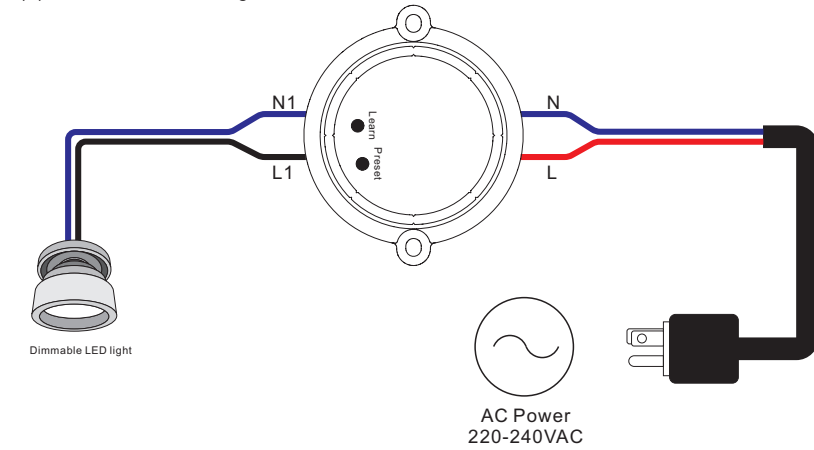
Adjust brightness to a level you would like, then click the **“Preset key”**, once set a minimum brightness, the light can only be dimmable between this minimum brightness and maximum brightness.

Delete the minimum brightness:

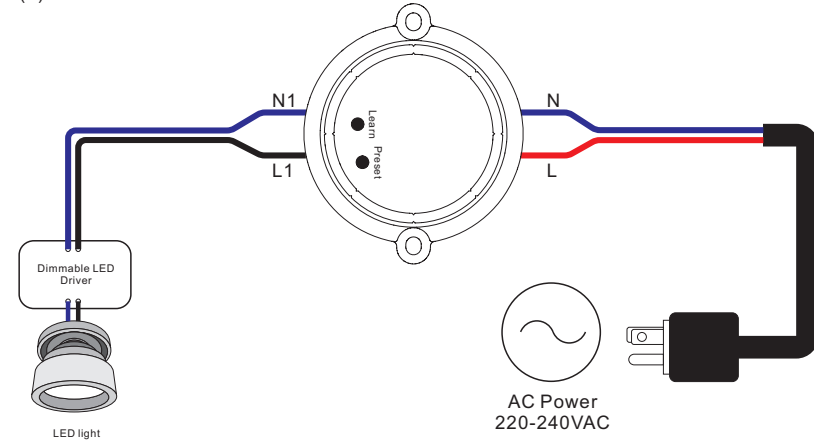
Adjust the brightness to maximum level, then click the **“Preset key”** to delete the minimum brightness.

Wiring diagram

(1)With dimmable LED light

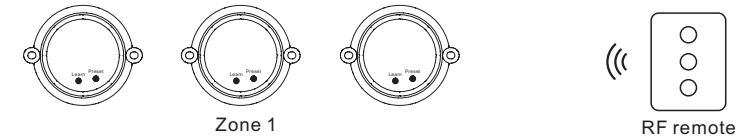


(2)With dimmable LED driver



If you use multiple receivers, you have two choices:

Option 1: have all the receivers in the same zone, like zone 1



Option 2: have each receiver in a different zone, like zone 1, 2, 3 or 4

