

Specification

Model: M9B3TA

Description: 3pcs 2835 SMD LEDs, 65*14.5*4.5mm [2.55*0.57*0.17in], white housing, equipped with optical device, high-pressure injection series, dc12V, constant voltage, LED module

Prepared by : _____

Checked by : _____

Standard Dept : _____

Approved by : _____

Issued Status: Draft Published

Specification

Product Name: LED module

Applications

Model: M9B3TA

Suitable for 6~16cm [2.36~6.29in] depth signage, such as absorbing plastic letter, metal letter, channel letter, black and white board, light box etc.



Features

1. High luminous efficacy with 2835 SMD LED mounted;
2. Maximum cascading qty up to 20pcs;
3. slot pouring glue technology, high rating of dust and water resistance;
4. CE, RoHS compliant.

Installation

1. 3M double-sided adhesive backing on modules used as an installation aid only and screws for permanent fixing;
2. Can be cut between every module of a single string.

Warranty

3 years or 13000 hours, whichever comes first.

Optical and Electrical Parameters:

| P/N | LED Color | Color Temperature (K) Wavelength (nm) | Color Tolerance Adjustment (SDCM) | Beam Angle (°) | Luminous Flux (lm) | CRI Ra | Luminous Efficacy (lm/W) | Working Voltage (V DC) | Working Current (mA) | Power (W/piece) |
|--------|------------|--|-----------------------------------|----------------|--------------------|--------|--------------------------|------------------------|----------------------|-----------------|
| M9B3TA | Cold White | 9000 | - | 160 | 100 | ≥75 | ≥90 | 12 | 83 | 1 |
| | Pure White | 6000 | - | 160 | 100 | ≥75 | ≥90 | 12 | 83 | 1 |
| | Warm White | 3000 | - | 160 | 90 | ≥75 | ≥90 | 12 | 83 | 1 |
| | Red | 620-625nm | - | 160 | 21 | / | ≥29 | 12 | 60 | 0.72 |
| | Green | 520-525nm | - | 160 | 35 | / | ≥48 | 12 | 60 | 0.72 |
| | Blue | 455-460nm | -- | 160 | 9 | / | ≥12 | 12 | 60 | 0.72 |
| | Yellow | 585-590nm | -- | 160 | 21 | / | ≥29 | 12 | 60 | 0.72 |

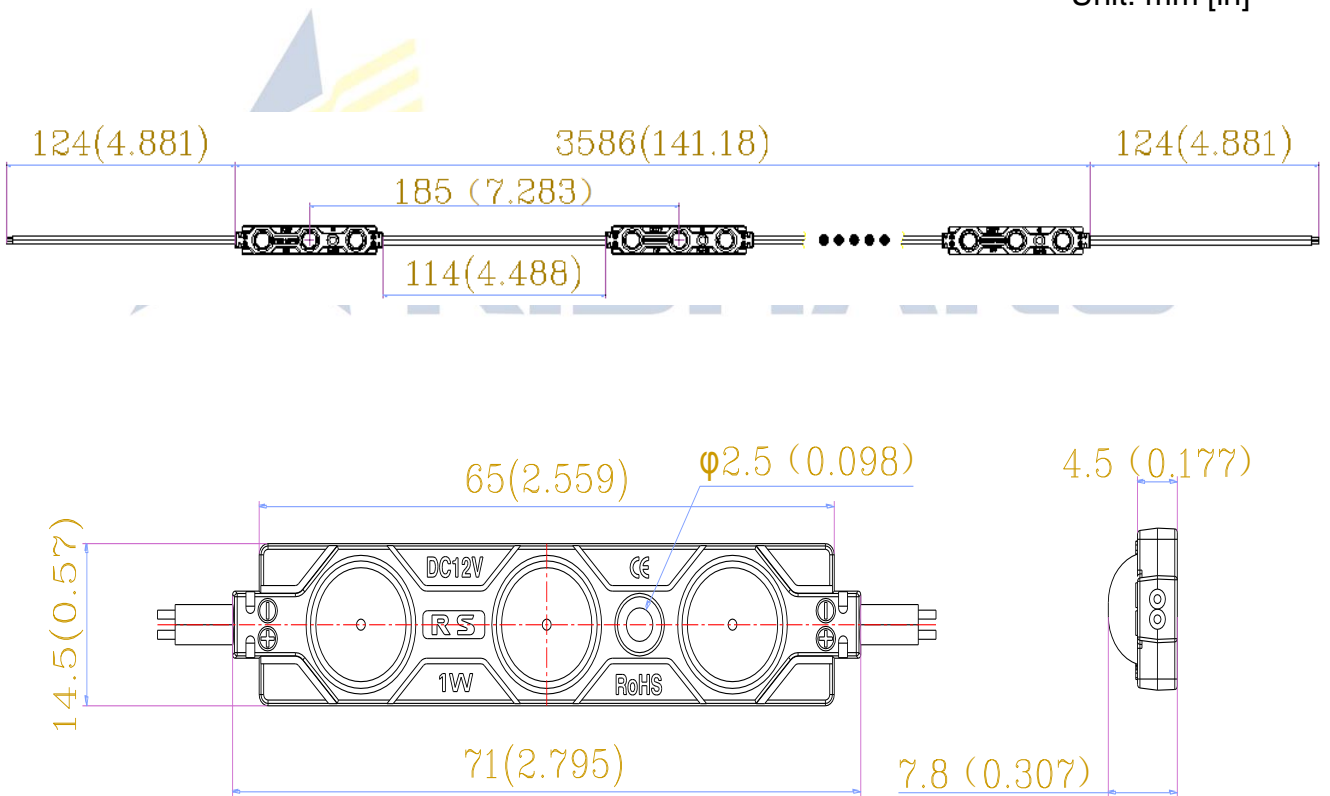
Others:

| P/N | LED Color | Standard cascading qty (pcs) | Max. cascading qty | | Single module weight | | Operating Temperature | | Storage Temperature | | IP Grade |
|--------|---------------------------------|------------------------------|--------------------|--------------------|----------------------|-------|-----------------------|----------|---------------------|----------|----------|
| | | | Single-ended (pcs) | Double-ended (pcs) | (g) | (lb) | (°C) | (°F) | (°C) | (°F) | |
| M9B3TA | White, Red, Green, Blue, Yellow | 20 | 20 | / | 7 | 0.015 | -25~+60 | -13~+140 | -25~+70 | -13~+158 | IP65 |

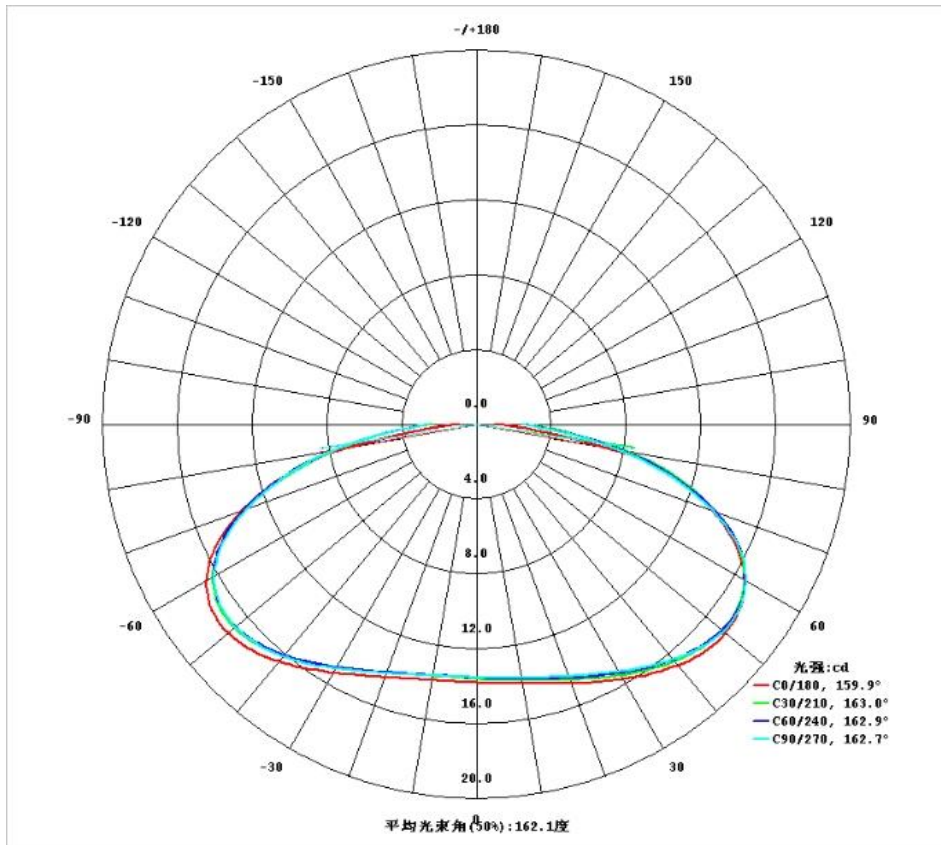
- Notes:
- ① Testing environment temperature: 25±2°C [77±3.6°F];
 - ② The actual data of each single product may differ from above typical data which are subject to change without prior notice.
 - ③ “-” in the above is SDCM parameters which are not required temporarily.

Profile Drawings:

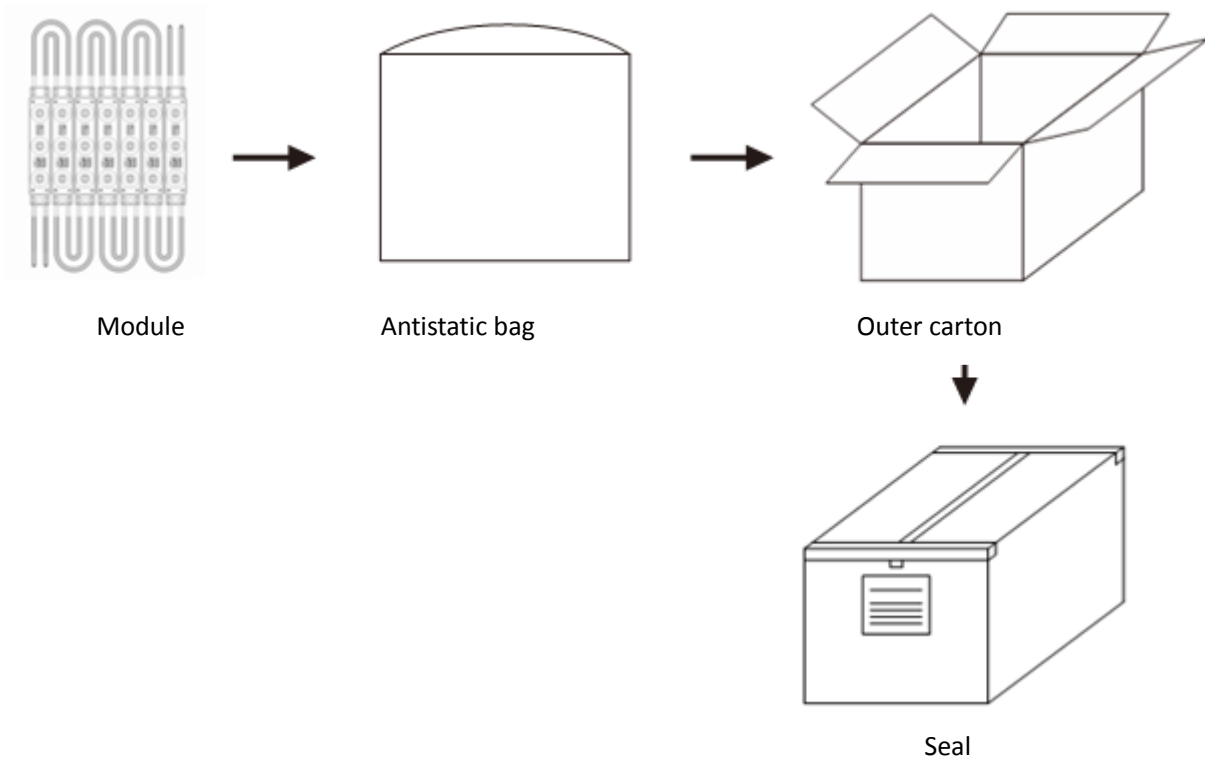
Unit: mm [in]



Light Distribution:



Packaging Diagrams:



Packaging Information:

1. Put this product into antistatic bags and then packaged into double-deck corrugated carton;
2. Outer Carton dimension: 53.0*33.0*20.0cm =0.0349 (1±10%) CBM [20.86*12.99*7.87in];
3. 20pcs modules per string cascading, 5pcs strings in each antistatic bag, 15pcs antistatic bags per carton, 1500pcs modules in total; 1pcs specification per inner carton;
4. Net Weight (N.W) : 13.5 (1±10%) kg [29.76 (1±10%) lb];
5. Gross Weight (G.W) : 14.36(1±10%) kg [31.65 (1±10%) lb];
6. The actual packed quantity and weight may subject to change without prior notice.