

# User Guide

## 3 Channel 5-24V 10A Constant Voltage RF Controller and Power Repeater

### Feature



V3-X

- 10A 3 channel PWM constant voltage RF controller.
- Default as RGB controller, need match RGB remote, create colorful static or dynamic effect.
- Can also be used as color temperature or single color dimming controller, good compatibility.
- Full compatibility with a variety of single color, dual color and RGB remote.
- Smooth dimming and switch without any flickering.
- When control RGB lamp, built in 10 mode, include jump or gradual change style, adjustable speed and brightness.
- Adopt 2.4GHz wireless technology, can accept up to 10 remote control.
- Can be WiFi controlled by APP installed on IOS or Android mobile devices while working with WiFi-Relay controller. User can customize own RGB change mode list by APP for advanced function.
- Work with power repeater to expand output unlimitedly.



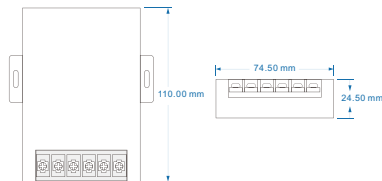
EV3-X

- 3 channel constant voltage power repeater.
- 3 channel PWM signal input, 3 channel constant voltage output.
- Output current up to 10A per channel.
- Used with various LED PWM constant voltage controller, expand output power to control more lamps.
- A controller can connect unlimited number of LED power repeaters in series or in parallel, and achieve the synchronous control effects.

### Technical parameter

- Input voltage: 5-24VDC
- Output type: PWM constant voltage
- Output current: 3CH, 10A/CH
- Output power: 3 x (50-240)W
- Working temperature: -30°C~55°C
- Product size: L110×W74.5×H24.5mm
- Net weight: 215g

### Dimension



### Match guide for V3-X

#### Match with RF remote controller and wall controller

**Match:** Switch off the power, then switch on power again, short press on/off or zone key 3 times on the RF remote quickly within 5s after power on, The link is done once the light blinks 3 times.

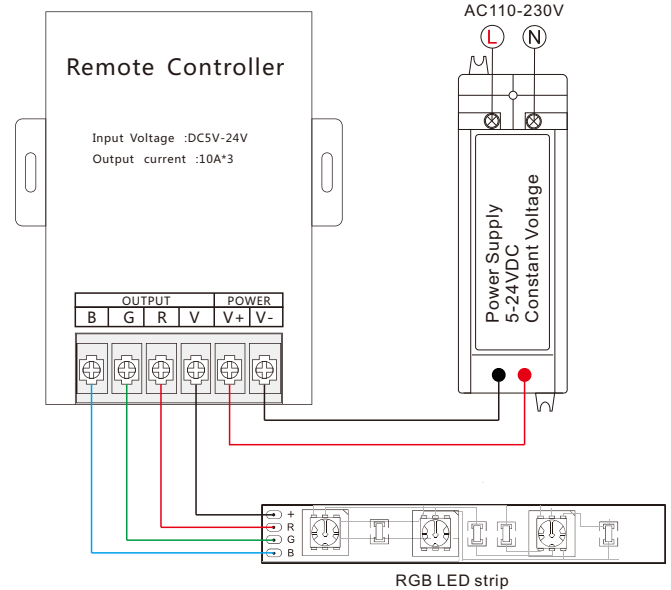
**Delete:** Short press on/off or zone key 5 times on the remote quickly within 5s after power on. The unlink is done once the light blinks 5 times. Delete operation will delete all matched RF remote.

#### Match with WiFi-Relay, then can be controlled by smart phone

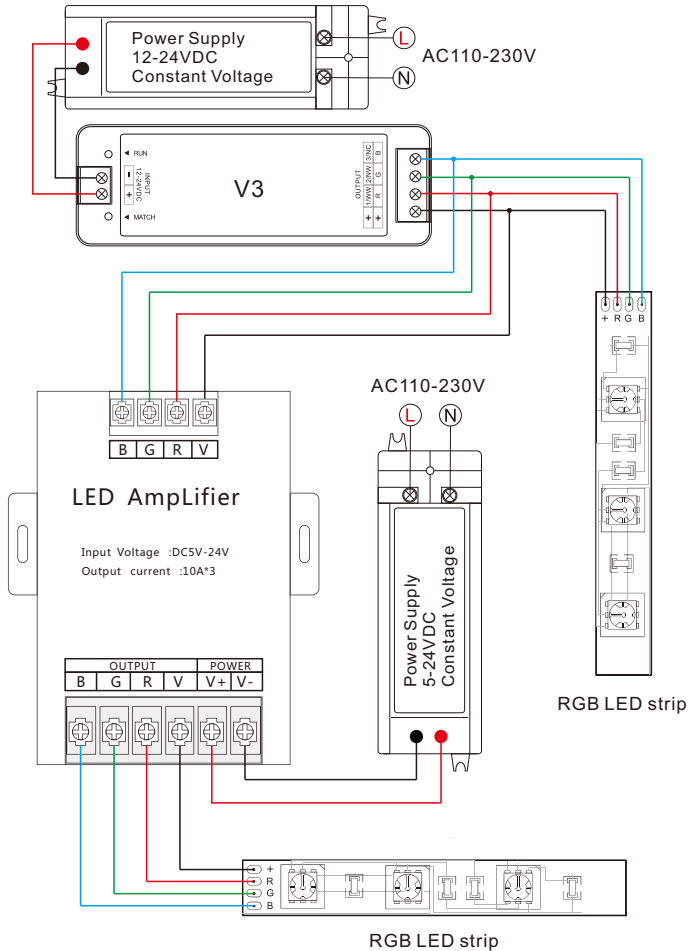
In Device list interface, click + key add new receiver, click ⊕ enter Match and setting interface, click > key of Type line, select DIM, WW/NW, RGB type for different light type, Switch off the power, then switch on again, Click Match key of the APP within 5s, The link is done once the light blinks 3 times. One WiFi-Relay controller can carry up to 16 pcs receivers.

### Wiring diagram

#### V3-X connect with RGB LED strip



### EV3-X connect with V3



### LED power supply voltage and power select

- 5V lamp, Input 5V power supply, can load 0~150W,
  - 12V lamp, Input 12V power supply, can load 0~360W,
  - 24V lamp, Input 24V power supply, can load 0~720W,
- The power supply power must larger than load power 20%.

### Dynamic mode list

No.	Name	No.	Name
1	RGB jump	6	RGB fade in and out
2	RGB smooth	7	Red fade in and out
3	6 color jump	8	Green fade in and out
4	6 color smooth	9	Blue fade in and out
5	Yellow cyan purple smooth	10	White fade in and out

### Malfunctions analysis & troubleshooting

Malfunctions	Causes	Troubleshooting
No light	1. No power. 2. Wrong connection or insecure.	1. Check the power. 2. Check the connection.
Wrong color	1. Wrong connection of R/G/B wires.	1. Reconnect R/G/B wires.
Uneven intensity between front and rear, with voltage drop	1. Output cable is too long. 2. Wire diameter is too small. 3. Overload beyond power supply capability. 4. Overload beyond controller capability.	1. Reduce cable or loop supply. 2. Change wider wire. 3. Replace higher power supply. 4. Add power repeater.
No response from the remote	1. The battery has no power. 2. Beyond controllable distance. 3. The controller did not match the remote.	1. Replace battery. 2. Reduce remote distance. 3. Re-match the remote.

### Safety information

1. The product shall be installed and serviced by a qualified person.
2. The product is non-waterproof. Please avoid the sun and rain.
3. Good heat dissipation will prolong the working life of the controller. Please ensure good ventilation.
4. Please check if the output voltage of any power supplies used comply with the working voltage of the product.
5. Ensure all wire connections and polarities are correct and secure before applying power to avoid any damages to the LED lights.
6. If a fault occurs please return the product to your supplier. Do not attempt to fix this product by yourself.