

RF Dual Color Wall Mounted Controller

09.2836C.04219



Important: Read All Instructions Prior to Installation

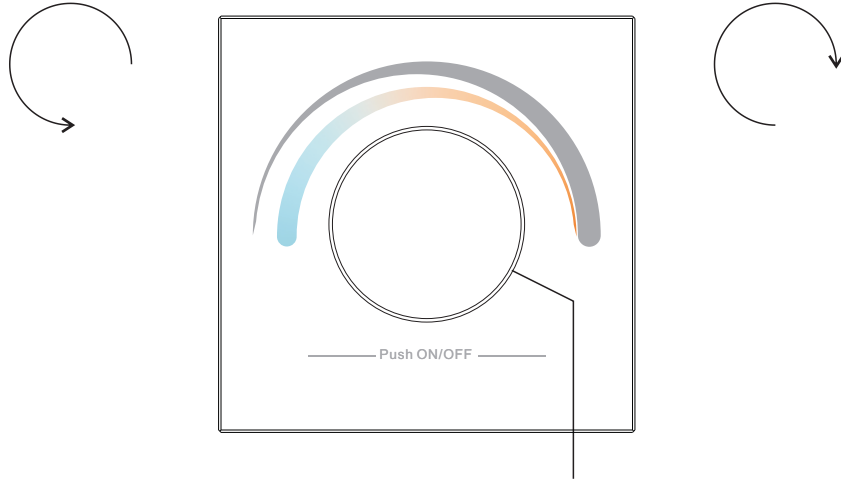
Function introduction

Rotate the knob counterclockwise:

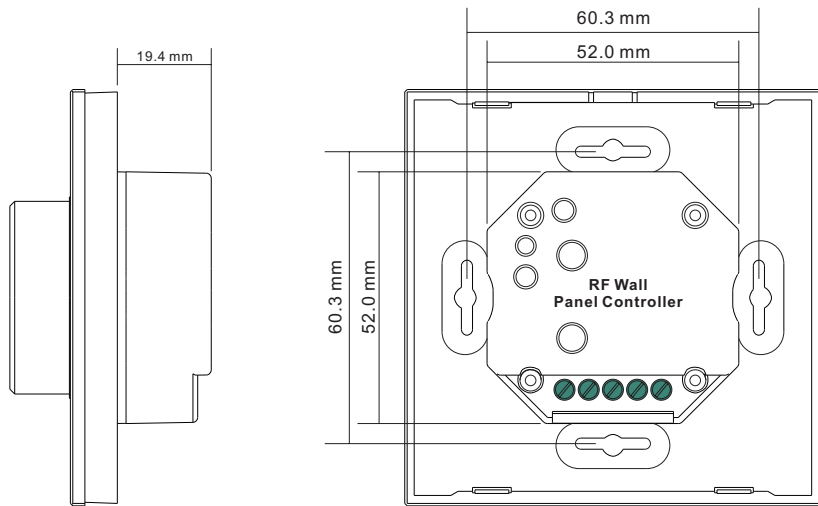
1. Decrease light intensity from 100% to 1%(brightness mode).
2. Change color temperature from warm white to cold white(dual color mode)

Rotate the knob clockwise:

1. Increase light intensity from 1% to 100%(brightness mode).
2. Change color temperature from cold white to warm white(dual color mode)



Click the knob to switch ON/OFF. Press and hold down to adjust brightness to 100%. Double click the knob to switch between dual color mode and brightness mode.



Back side

Product Data

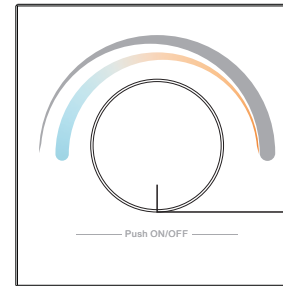
Output Signal	RF signal
Power Supply	3V(CR2032)
Power consumption	10 mA
Operating temperature	0-40°C
Relative humidity	8% to 80%
Dimensions	86x86x41.6mm

- Rotation sensitive
- Glass interface(white & black)
- Compatible with all universal series RF receivers
- Radio frequency: 868/869.5/434MHz
- Control CCT color
- Control 1 zone of RF receiver
- Waterproof grade: Ip20

Safety & Warnings

- DO NOT install with power applied to device.
- DO NOT expose the device to moisture.

Pair with RF receiver



Step 1: Do wiring the RF receiver according to wiring diagram (please refer to the instruction of RF receiver that you would like to pair with).

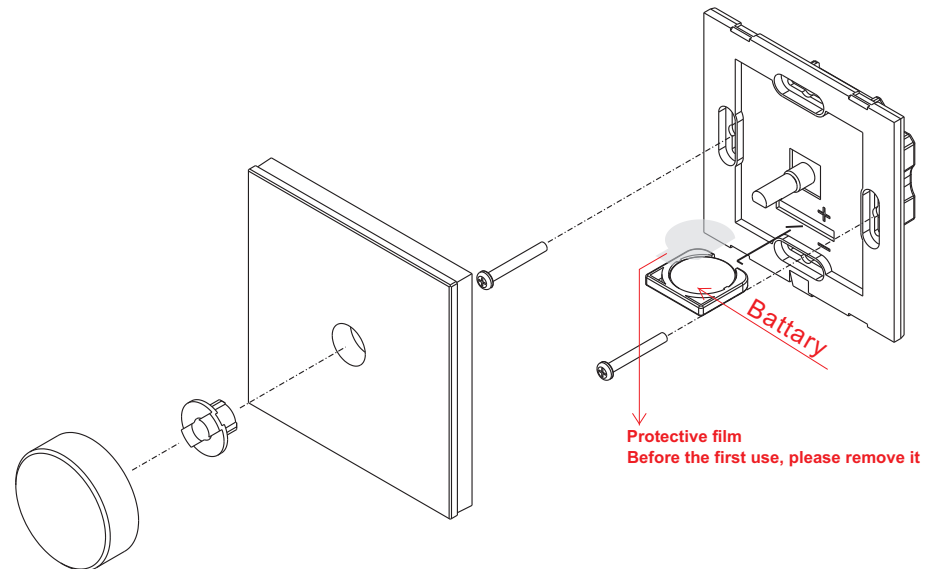


Step 2: Click the "Learning Key" button on RF receiver to set it into pairing status

Step 3: Rotate or click the knob, LED lights connected with the RF receiver flicker once means the receiver is paired with the remote successfully.

Note: one receiver can be paired with max 8 remote controls.

Installation



Protective film
Before the first use, please remove it